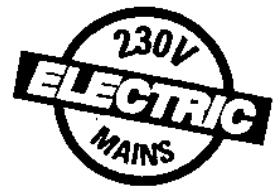




45171

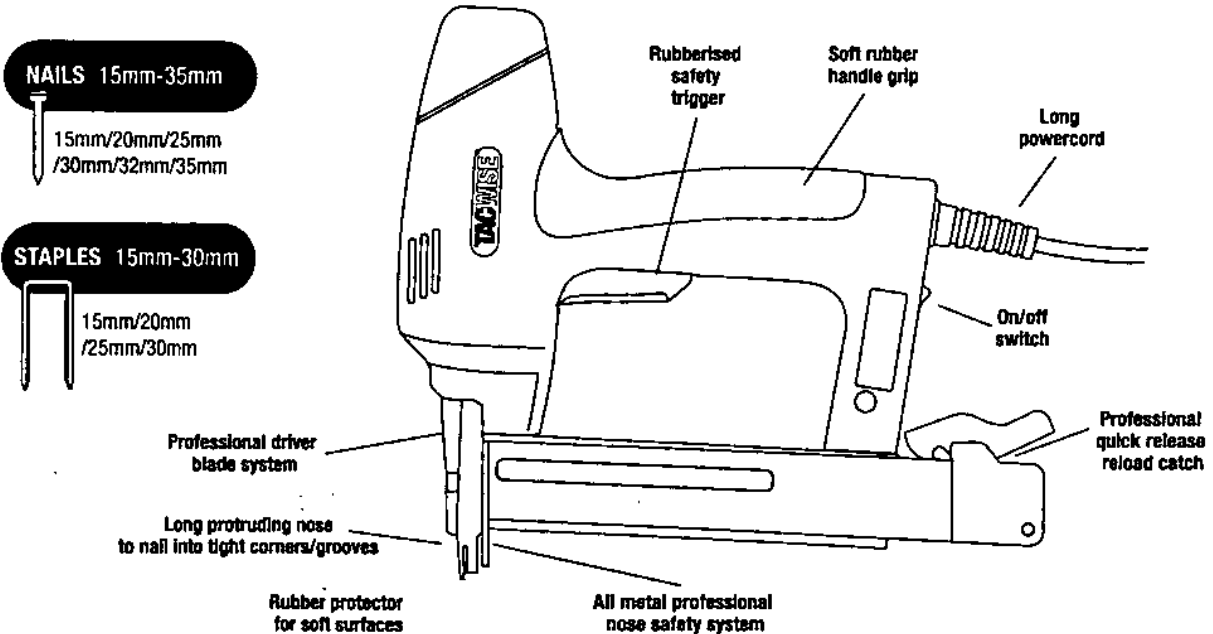
TACWISE



MASTER NAILER™ 191EL PRO

A superb electric nailing/stapling gun which fires 180 nails from 15-35mm and 91 staples from 15-30mm quickly and neatly.

SUITABLE APPLICATIONS: Softwood & hardwood applications, MDF, Hobby/Crafts. Fine decorative trim, beading and mouldings. Tongue & Groove panelling. Cabinet and plywood assembly, garden furniture and trellis work, door/window assembly, hardwood flooring, panelling and trims. Plasterboard, picture/mirror frames. Sub-flooring and many more...



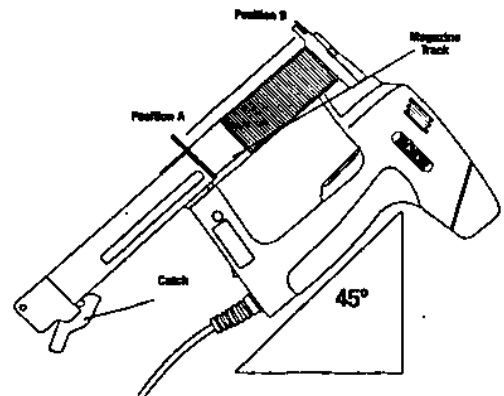
PRODUCT SPECIFICATIONS

- Input Voltage : 230 volts 50 Hz
- Max. Firing speed : 4-Nails/Staples-per second
- Max. Length of nail : Up to 35mm long (fires six lengths)
- Max. Length of staple : Up to 30mm long (fires four lengths)
- Max. Magazine Capacity : Holds up to 100 nails or staples
- Nail/Staple Type (IMPORTANT) : Use Tacwise Nails Type 180 and Tacwise Staples Type 91 only
- Approvals :

DIRECTIONS FOR USE

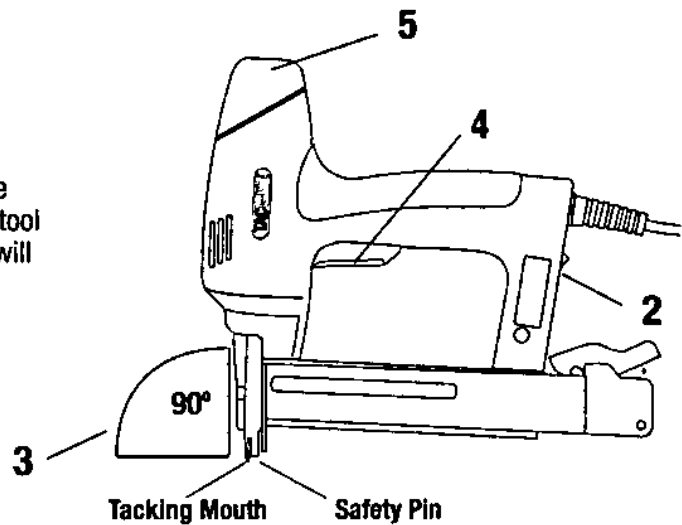
Step one: Loading your Master Nailer™ Pro 191EL

1. Unplug from power source.
2. Only use Tacwise 180 Type Nails and Tacwise 91 Type Staples which are designed especially for this machine.
3. Slide the pusher backwards from position B to position A by releasing the catch (1).
4. Nails & Staples - tilt the gun at 45° angle and place the nails/staples so that the top of the nail/crown of the staple is in the uppermost of the magazine.
5. Push feeder back until release catch clicks.



Step two: How to use nailer/stapler

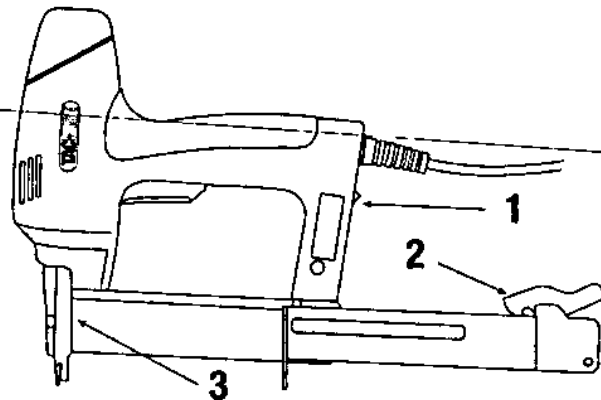
1. Plug tool into 230 volt, 50 Hz power outlet.
2. Turn the tool on at the on/off switch.
3. Hold tool firmly with tacking mouth flat to workpiece forming a 90° angle- the safety pin in the mouth of tool must be pressed firmly against the workpiece or it will not operate.
4. Squeeze trigger to fire the tool.
5. On hard surfaces press down on top of tool with free hand.
6. On soft surfaces use light pressure to prevent deep nail penetration, and use the red nose piece (supplied) to prevent marking the surface.



CLEARING A JAMMED NAIL

In the unlikely event of the tool jamming:-

1. Turn the tool off at the on/off switch and disconnect at power outlet.
2. Open feeder by pushing down on the release catch.
3. Free nail/staple from inside the magazine.



SAFETY

- Always wear safety goggles.
- Ensure tool is turned off at the on/off switch when not in use.
- Do not wear loose clothing or jewellery.
- Ensure damaged parts/defective switches are repaired by the Rapesco Service Department.
- Never operate near flammable liquids or explosive atmospheres.
- Do not operate machinery when tired.
- Keep children away.
- Never expose tool to rain.
- Store tool in dry, secure place.
- Never carry tool by cord or yank to disconnect from power outlet.
- Do not alter or misuse tool.

WARNING: Not suitable for nailing/stapling into concrete, masonry, bricks or steel. DO NOT fire if the nails/staples are jammed as this will cause damage to the driver blade. Ensure tool is turned off at the on/off switch when not in use. Keep fingers off trigger until ready to drive staple/nail.

STANDARD WARRANTY

Tactica provides 12 months cover.

In the event of this product breaking down the most economical option will likely be a replacement service exchange unit supplied by Tactica.

SERVICE RELIEF

Please call us with your service problems and we will help you with the best use of your Electric Nailer (model 191E) Pro.

WARRANTY CLASS

This warranty is provided by Tactica Service Solutions. It covers the normal use of the product under normal conditions. It does not cover any damage caused by misuse, neglect, or any other cause. The warranty is void if the product has been altered or repaired by anyone other than Tactica Service Solutions.