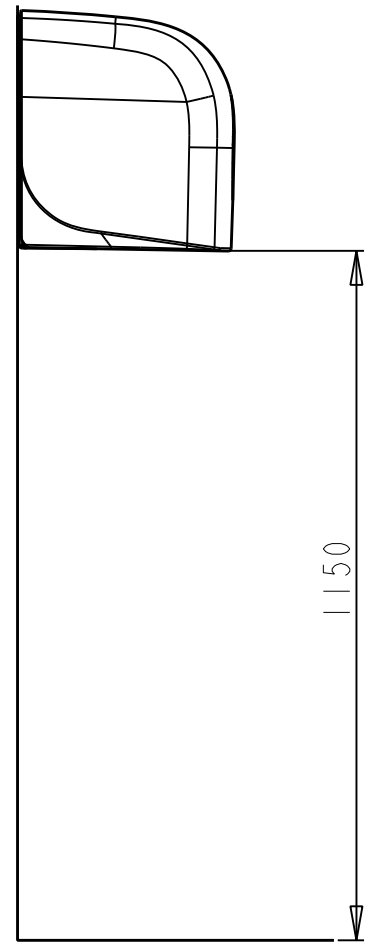
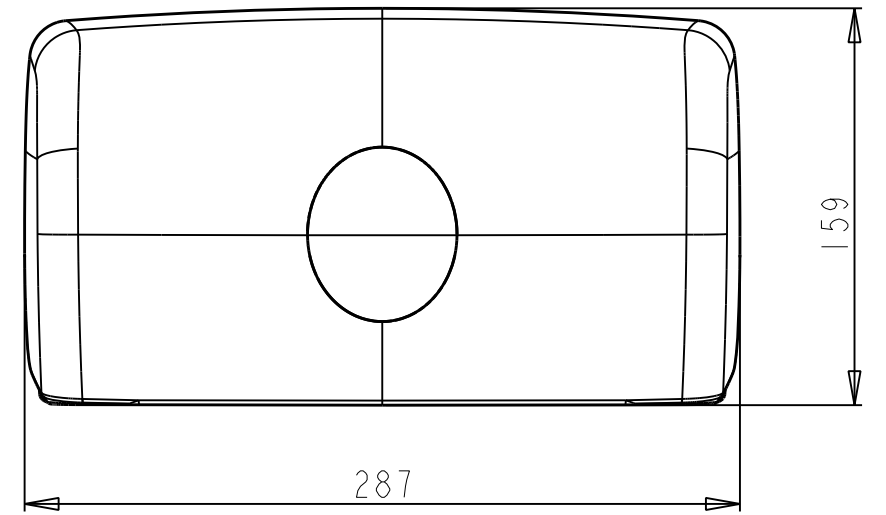
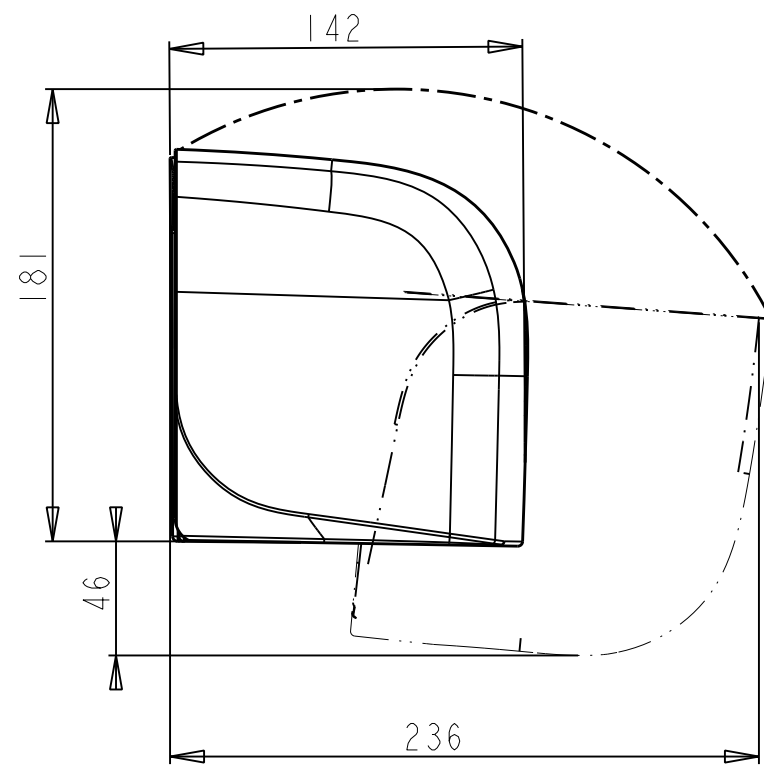


Drill pattern



SCALE 1:5

Dimensions in mm