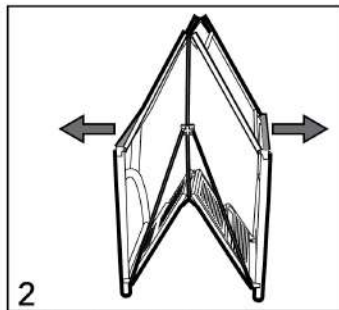
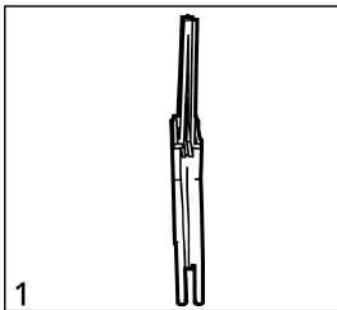
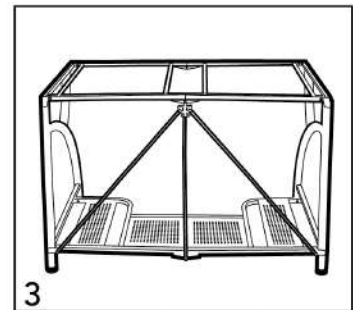


COMPUTER DESK

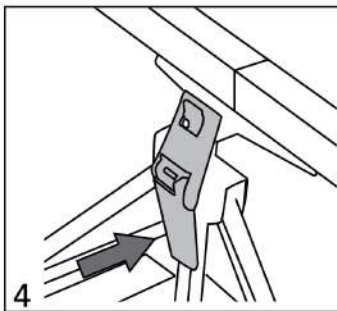
STEP BY STEP INSTRUCTION



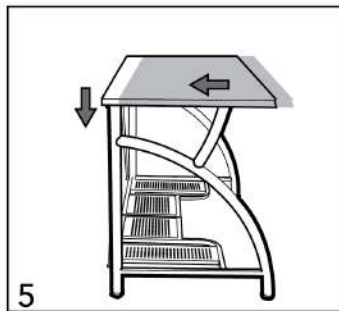
Pull the sides of the desk apart



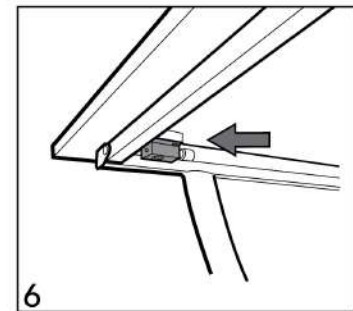
Keep pulling until fully extended



Push the lock to secure it in position /



Slide the desktop in at a slight upward angle. It will straighten itself as it slides into place



Push the lock to secure it in position

RISK OF TRAPPING HAND/FINGER – use caution when opening or folding to insure that fingers and hands do not become entrapped”
Failure to follow these instructions could result in serious personal injury, failure of unit or both

Made in China

www.origamirack.com