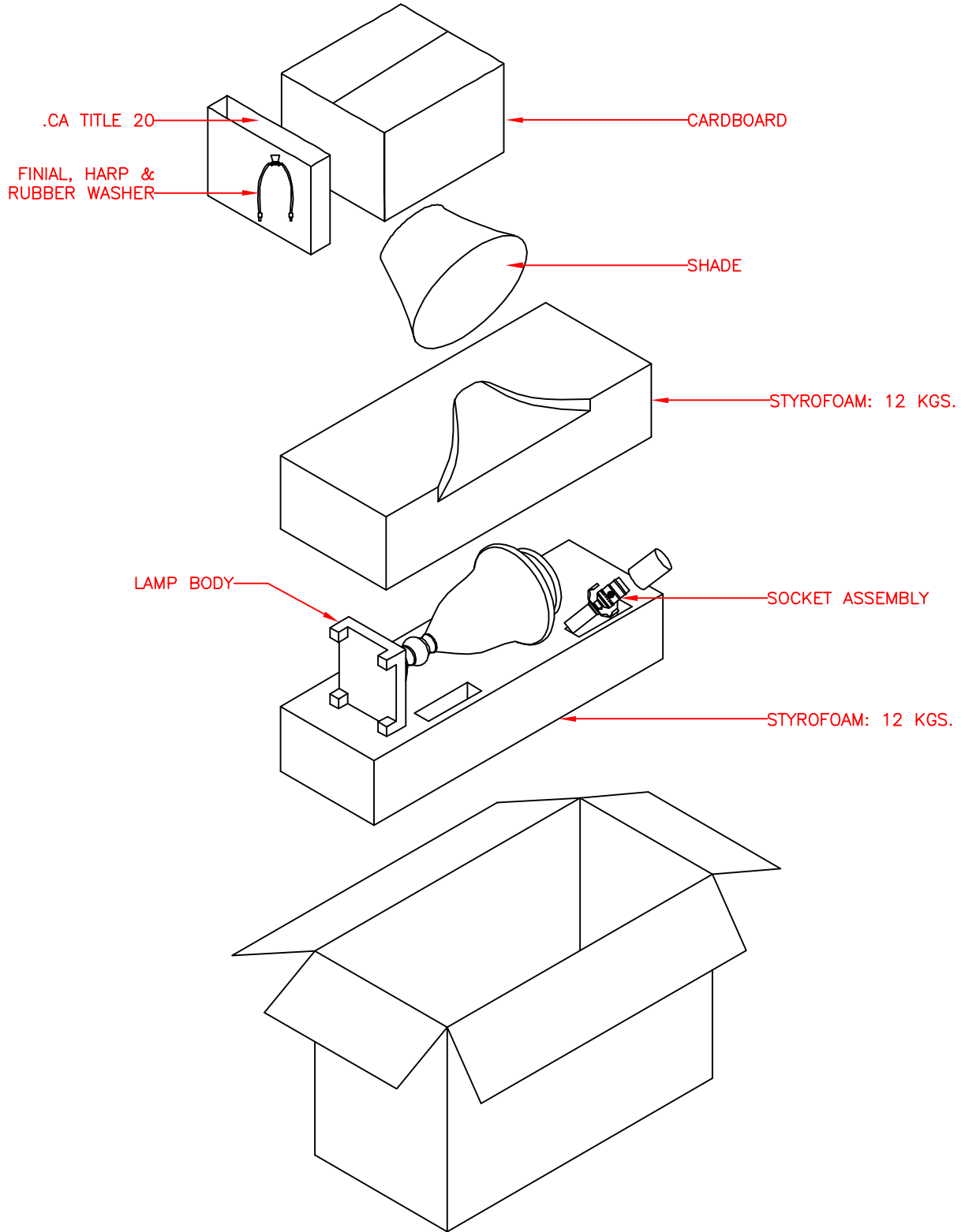


MODEL: 20180GR  
PACKING DIAGRAM



# ASSEMBLY INSTRUCTIONS

## READ AND SAVE THESE INSTRUCTIONS

READ INSTRUCTIONS ALL THE WAY THROUGH PRIOR TO ASSEMBLY.

THIS LAMP SHOULD TAKE APPROXIMATELY 5 MINUTES TO ASSEMBLE.

MAKE SURE ALL PARTS ARE FIRMLY TIGHTENED.

## UNPACK THE LAMP

YOU SHOULD HAVE RECEIVED THE FOLLOWING PARTS IN THE PACKAGE: FINIAL, RUBBER WASHER, SHADE, HARP, SOCKET ASSEMBLY AND LAMP BODY. TO PROTECT THE FINISH, PLACE ALL PARTS ON A SOFT SURFACE.

## ASSEMBLE THE LAMP

- CAREFULLY ORGANIZE AND PLACE ALL PARTS ON A SMOOTH, FLAT SURFACE. LINE UP ALL OF THE PARTS ACCORDING TO THE ASSEMBLY DIAGRAM.
- PULL THE EXCESS POWER CORD THROUGH THE BASE.
- SCREW SOCKET ASSEMBLY TO TOP OF LAMP BODY.
- SQUEEZE LEGS OF THE HARP TOGETHER AND INSERT THE TWO ENDS BETWEEN THE PRONGS OF THE HARP HOLDER.
- PLACE SHADE ONTO HARP, THEN SECURE WITH RUBBER WASHER AND FINIAL.
- PRIOR TO INSTALLING THE BULB, PLEASE INSPECT SOCKET FOR SILICA PACKET. IF PACKET IS PRESENT, REMOVE AND THROW AWAY. DO NOT EXPOSE TO CHILDREN AND PETS.
- INSTALL A 120V, 60HZ, 150 WATT MAXIMUM MEDIUM BASE TYPE "A" 3-WAY BULB (NOT INCLUDED) INTO SOCKET. TO ASSURE YOUR 3-WAY SWITCH IS FUNCTIONING PROPERLY, MAKE SURE A 3-WAY BULB IS BEING USED AND THAT THE BULB IS FULLY SCREWED INTO THE BASE OF THE SOCKET. THIS MAY REQUIRE AN EXTRA TURN OF THE BULB.
- PLUG THE POWER CORD INTO AN OUTLET AND TURN ON AT SWITCH.

## BULB REPLACEMENT

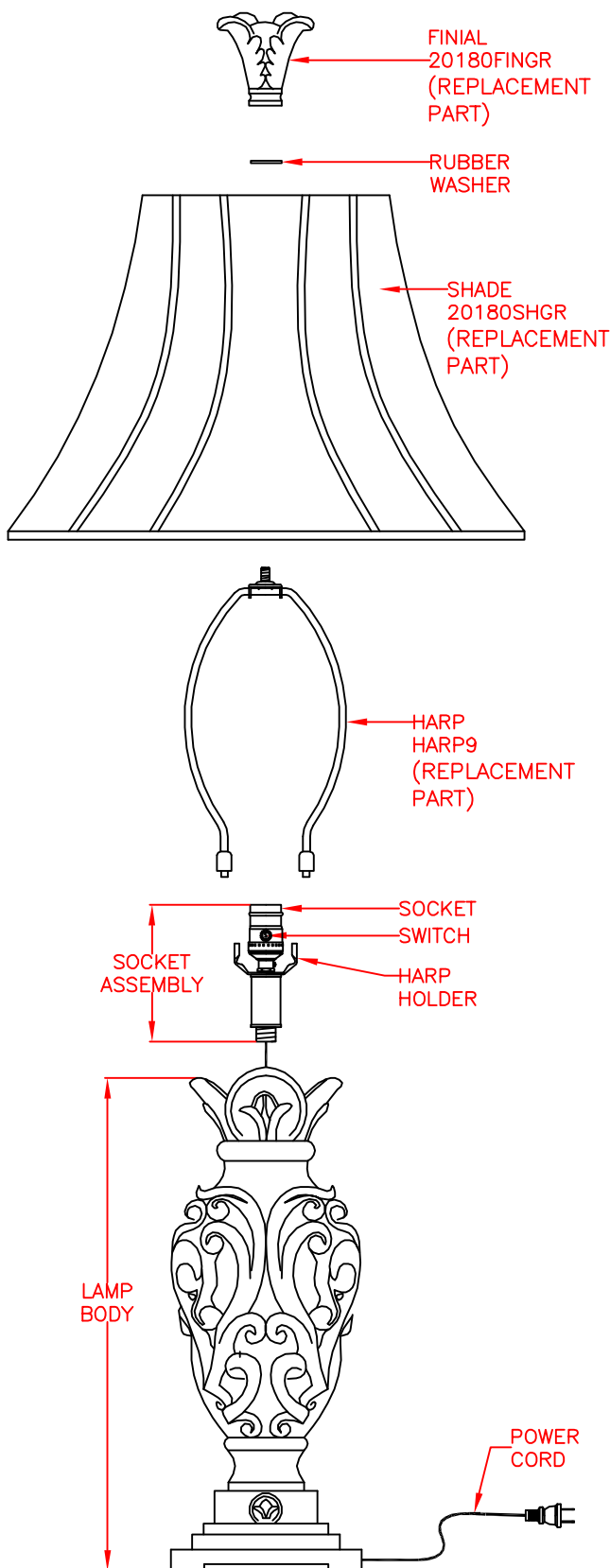
- BEFORE REPLACING THE BULB, BE SURE THAT THE SHADE AND BULB ARE COOL AND LAMP IS UNPLUGGED.
- UNSCREW EXISTING BULB FROM SOCKET AND REPLACE WITH A NEW BULB. PLUG POWER SUPPLY CORD BACK INTO OUTLET.

## TROUBLE SHOOTING

- IF YOUR LAMP DOES NOT LIGHT, CHECK PLUG AT THE OUTLET. MAKE SURE THE PLUG IS FULLY AND PROPERLY INSERTED INTO THE POWER OUTLET.
- IF LAMP STILL DOES NOT LIGHT, UNPLUG FROM OUTLET. CHECK THE BULB FOR A BROKEN FILAMENT. REPLACE BULB IF NECESSARY, PLUG IN LAMP AND TURN IT ON.
- IF THE LAMP STILL DOES NOT LIGHT, PLEASE CONTACT YOUR DISTRIBUTOR OR PLACE OF PURCHASE.

## IMPORTANT SAFETY INSTRUCTIONS

THIS PORTABLE LAMP HAS A POLARIZED PLUG (ONE BLADE IS WIDER THAN THE OTHER) AS A FEATURE TO REDUCE THE RISK OF ELECTRIC SHOCK. THIS PLUG WILL FIT IN A POLARIZED OUTLET ONLY ONE WAY. IF THE PLUG DOES NOT FIT FULLY IN THE OUTLET, REVERSE THE PLUG. IF IT STILL DOES NOT FIT, CONTACT A QUALIFIED ELECTRICIAN. NEVER USE WITH AN EXTENSION CORD UNLESS PLUG CAN BE FULLY INSERTED. DO NOT ALTER THE PLUG.



AVAILABLE PARTS ARE:  
20180SHGR (SHADE)  
20180FINGR (FINIAL)  
HARP9 (HARP)

