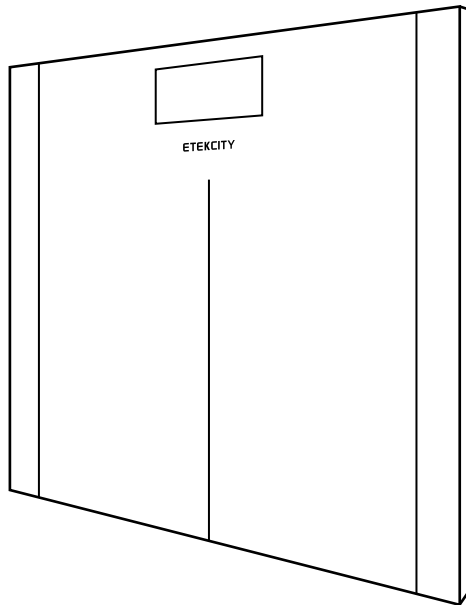




# Digital Body Weight Scale

**Model:** EB9380H Series

**User Manual**



## Table of Contents

|                           |    |
|---------------------------|----|
| Package Contents          | 2  |
| Specifications            | 2  |
| Safety Information        | 3  |
| Function Diagram          | 5  |
| Before First Use          | 6  |
| Operation                 | 7  |
| • Using the Scale         | 7  |
| • Replacing the Batteries | 8  |
| • Cleaning the Scale      | 9  |
| • Clearing the Scale      | 9  |
| Troubleshooting           | 10 |
| Warranty Information      | 12 |
| Customer Support          | 14 |

## Package Contents

- 1 x Digital Body Weight Scale
- 2 x 1.5V AAA Batteries (Pre-Installed)
- 1 x Quick Start Guide

## Specifications

|                        |   |
|------------------------|---|
| <b>Weight Capacity</b> | 400 lb / 180 kg   |
| <b>Increments</b>      | 0.1 lb / 0.05 kg  |
| <b>Weight Units</b>    | lb / kg   |
| <b>Platform</b>        | Tempered Glass  |
| <b>Dimensions</b>      | <b>LCD Display:</b><br>2.9 x 1.4 in / 7.4 x 3.6 cm<br><b>Scale:</b><br>11.8 x 11.8 x 0.8 in /<br>30 x 30 x 2.2 cm |
| <b>Battery</b>         | 2 x 1.5V AAA Batteries  |
| <b>Auto-Off</b>        | 20 seconds  |

# READ AND SAVE THESE INSTRUCTIONS

## SAFETY INFORMATION

**Please read and follow all instructions and safety guidelines in this manual.**

### General Use

- Check the scale before using. **Do not** use the scale if it is damaged in any way.
- **Do not** strike or bang on the scale and **do not** use the scale if there is a slight crack on the glass. While tempered glass is stronger and fractures more safely than ordinary glass, it may shatter unexpectedly after developing a slight crack. If you see a crack, contact **Customer Support** (see page 14).
- The glass platform is slippery when wet. **Always** make sure the platform and your feet are dry before stepping onto the scale.
- Place the scale on a hard, flat surface.
- To weigh safely and accurately, stand with your feet shoulder-width apart while on the scale. **Do not** stand on the edge of the scale or jump on the scale.

## Safety Information (cont.)

- Avoid standing on the scale for a long period of time.
- **Do not** overload the scale. Maximum weight capacity is 400 lb / 180 kg.
- Keep the scale in a cool area with low humidity. Keep the scale away from heat sources, such as ovens or heaters.
- Store the scale horizontally, not vertically.
- For household use **only**. This scale is not intended for commercial use.
- Handle with care.

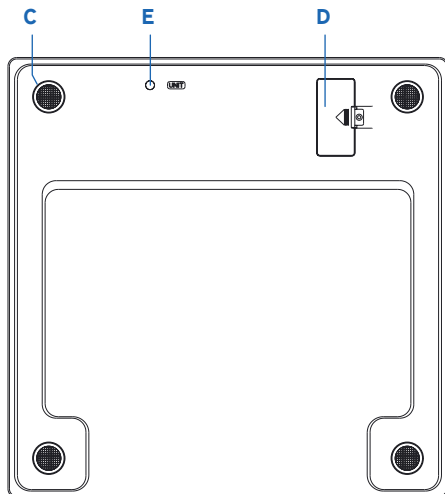
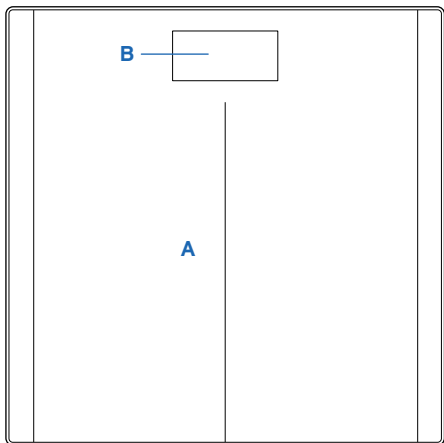
## Batteries

- **Do not** mix new and old batteries.
- If the scale is not in use for a long period of time, remove the batteries to extend the lifetime of the scale.



# Function Diagram

- A. Platform
- B. Display
- C. Anti-Skid Padding
- D. Battery Compartment
- E. Unit Conversion Button



## Before First Use

1. Open the battery compartment on the underside of the scale. Remove the included AAA batteries. [Figure 1.1]
2. Remove the plastic strip.
3. Replace the batteries. Follow the guidelines in the battery compartment to match the + and - terminals. [Figure 1.2]

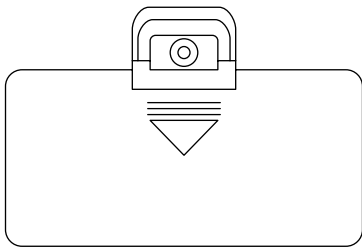


Figure 1.1

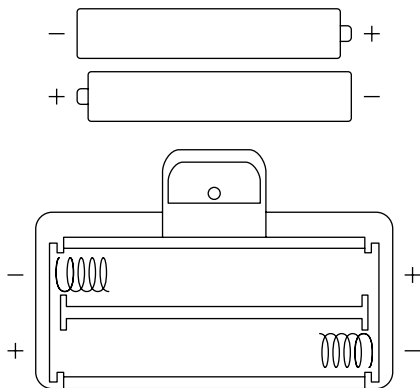


Figure 1.2



# Operation

## Using the Scale

**Note:** Press the unit switching button on the underside of the scale to switch between pounds (lb) and kilograms (kg).

1. Place the scale on a hard, flat surface.

**Note:** Using the scale on soft surfaces such as carpets and mats will cause inaccurate measurements.

2. Step on the scale, then step off. Wait for the screen to display "0.0" before using.  
[Figure 2.1]
3. Stand on the scale until the display flashes several times, showing your final measurement.  
[Figure 2.2]

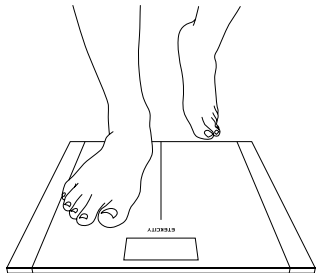


Figure 2.1

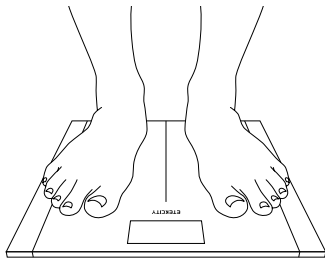


Figure 2.2

## Replacing the Batteries

1. Open the battery compartment on the underside of the scale.
2. Remove the old batteries and dispose of them properly.
3. Install 2 new 1.5V AAA batteries. Make sure the polarities match. [\[Figure 3.1\]](#)
4. Close the battery compartment, place the scale on a hard, flat surface, and wait for the display to show "0.0" before using.

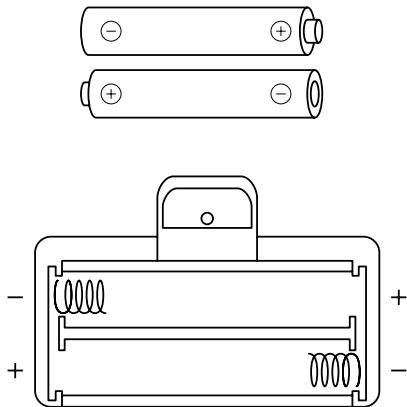


Figure 3.1

## Cleaning the Scale

1. Use a slightly damp cloth to clean the surface of the scale, followed by a soft, dry cloth to wipe away the remaining moisture.
2. **Do not** use chemical or abrasive cleaning agents to clean the scale.

## Clearing the Scale

If the scale has been moved or flipped upside down, it must be cleared to ensure accurate results.

1. Place the scale on a hard, flat surface.
2. Step on the scale until digits appear on the display, then step off.
3. The scale will show "0.0" when cleared.

# Troubleshooting

| Problem   | Possible Solution   |
|---|---|
| <b>Scale does not turn on.</b>  | Open the battery compartment cover and remove the plastic strip.  |
|   | Replace the batteries (see page 8).   |
|   | Insert batteries under the correct polarity as marked in the battery compartment.                                   |
| <b>Display backlight does not come on when stepping on the scale.</b> | Scale may be malfunctioning. Contact <a href="#">Customer Support</a> (see page 14).                                |
| <b>Display shows "Err".</b>   | Weight exceeds 400 lb / 180 kg. Use another scale with a higher weight range.                                       |
| <b>Display shows "LO".</b>  | Replace the batteries (see page 8).   |
| <b>Display shows "E".</b>   | Scale needs to be cleared. Please place the scale on a hard, flat surface and wait for it to be cleared before use. |
| <b>Reading is inaccurate.</b>   | Place scale on a level surface.   |
|   | Step off the scale, wait for the display to show "0.0", then step back on the scale.                                |
|   | Remove the batteries for 45 seconds and replace them to reset the scale.  |

If your problem is not listed, please contact [Customer Support](#) (see page 14).



# Federal Communication Commission Interference Statement

This device complies with Part 15 of the FCC Rules. Operation is subject to the following two conditions:

1. This device may not cause harmful interference, and
2. This device must accept any interference received, including interference that may cause undesired operation.

**NOTE:** This equipment has been tested and found to comply with the limits for a Class B digital device, pursuant to Part 15 of the FCC Rules. These limits are designed to provide reasonable protection against harmful interference in a residential installation. This equipment generates, uses and can radiate radio frequency energy and, if not installed and used in accordance with the instructions, may cause harmful interference to radio communications. However, there is no guarantee that interference will not occur in a particular installation. If this equipment does cause harmful interference to radio or television reception, which can be determined by turning the equipment off and on, the user is encouraged to try to correct the interference by one or more of the following measures:

- Reorient or relocate the receiving antenna.
- Increase the separation between the equipment and receiver.
- Connect the equipment into an outlet on a circuit different from that to which the receiver is connected.
- Consult the dealer or an experienced radio/TV technician for help.

**FCC Caution:** Any changes or modifications not expressly approved by the party responsible for compliance could void the user's authority to operate this equipment.

# Warranty Information

|  |                           |
|--|---------------------------|
| <b>Product Name</b>  | Digital Body Weight Scale |
| <b>Model</b>   | EB9380H Series            |
| <i>For your own reference, we strongly recommend that you record your order ID and date of purchase.</i> |                           |
| <b>Order ID</b>  |                           |
| <b>Date of Purchase</b>  |                           |

## Terms & Policy

Etekcity Corporation (“Etekcity”) warrants this product to the original purchaser to be free from defects in material and workmanship, under normal use and conditions, for a period of **2 years** from the date of original purchase.

Etekcity agrees, at our option during the warranty period, to repair any defect in material or workmanship or furnish an equal product in exchange without charge, subject to verification of the defect or malfunction and proof of the date of purchase.

**There is no other express warranty. This warranty does not apply:**

- If the product has been modified from its original condition;
- If the product has not been used in accordance with directions and instructions in the user manual;
- To damages or defects caused by accident, abuse, misuse or improper or inadequate maintenance;
- To damages or defects caused by service or repair of the product performed by an unauthorized service provider or by anyone other than Etekcity;
- To damages or defects occurring during commercial use, rental use, or any use for which the product is not intended;
- To damages or defects exceeding the cost of the product.

Etekcity will not be liable for indirect, incidental, or consequential damages in connection with the use of the product covered by this warranty.

This warranty extends only to the original consumer purchaser of the product and is not transferable to any subsequent owner of the product regardless of whether the product is transferred during the specified term of the warranty.

This warranty does not extend to products purchased from unauthorized sellers. Etekcity's warranty extends only to products purchased from authorized sellers that are subject to Etekcity's quality controls and have agreed to follow its quality controls.

All implied warranties are limited to the period of this limited warranty.

This warranty gives you specific legal rights and you may also have other rights which vary from state to state. Some states do not allow the exclusion or limitation of incidental or consequential damages, so the above limitation or exclusion may not apply to you.

If you discover that your product is defective within the specified warranty period, please contact Customer Support via **support@etekcity.com**. **DO NOT** dispose of your product before contacting us. Once our Customer Support Team has approved your request, please return the product with a copy of the invoice and order ID.

Every Etekcity product automatically includes a 2-year warranty. To make the customer support process quick and easy, register your product online at [www.etekcity.com/warranty](http://www.etekcity.com/warranty).

This warranty is made by:

Etekcity Corporation  
1202 N. Miller St., Suite A  
Anaheim, CA 92806

# Customer Support

If you have any questions or concerns about your new product, please contact our helpful Customer Support Team.

## **Etekcitey Corporation**

1202 N. Miller St., Suite A  
Anaheim, CA 92806

**Email:** [support@etekcity.com](mailto:support@etekcity.com)

**Toll-Free:** (855) 686-3835

## **Support Hours**

Monday–Friday  
9:00 am–5:00 pm PST/PDT

*\*Please have your order invoice and order ID ready before contacting Customer Support.*



**Connect with us @Etekcity**





01.00\_D\_22B15\_us