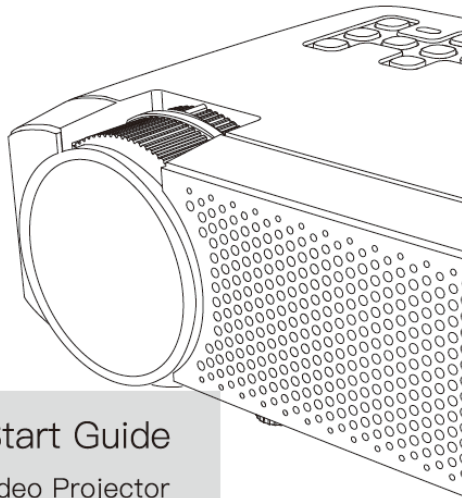
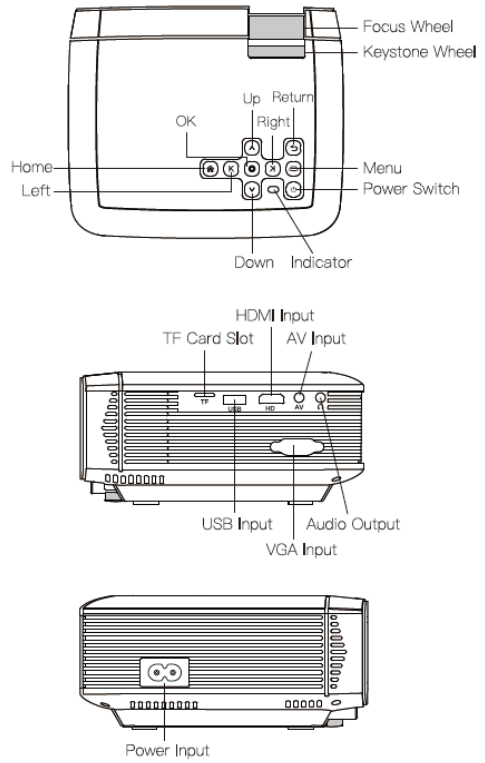


apeman



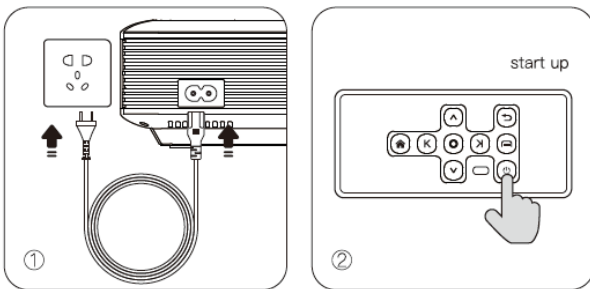
Quick Start Guide
Video Projector
LC350

Interface Introduction

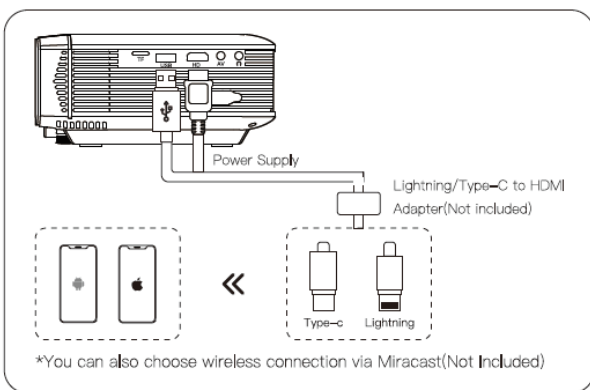


01

Connect the Power Cable



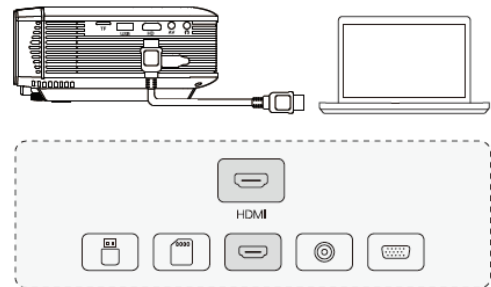
Choose Input Source



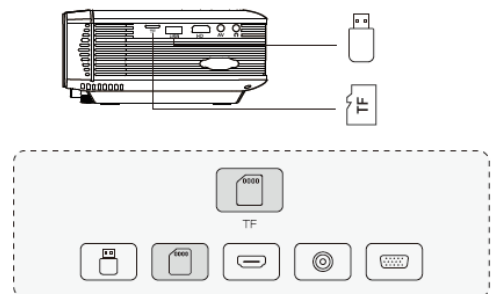
02

Choose Input Source

Connect to laptop via HDMI cable

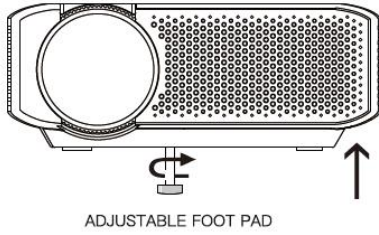
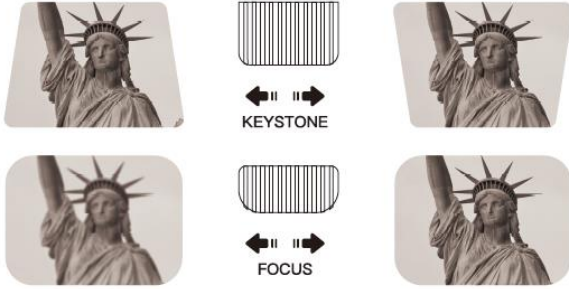


Connect to 16GB Flash Drive or Micro SD card



03

Focus/ Keystone/ Footpad



04

Attention

If no sound, please check the following situation:

1. If you are connecting iPhone, please prepare the Apple official lightning to HDMI adapter.
2. If connecting DVDs, please select "PCM" output mode on your DVD settings.
3. If connecting TV stick(Fire stick, Chromecast, Apple TV), please turn off the Dolby digital function in the TV Stick settings.
4. If connecting computer by HDMI cable, please turn off the speaker audio output or switch to another audio output option in the sound settings on the lower right corner of the computer desktop.
5. If connecting computer by VGA cable, make sure the audio cable is connected.
6. Make sure the volume of the device and the projector is turned to the maximum.
7. Try other connection methods (TF card, Smartphone, Fire TV Stick or Chromecast) to connect the device to play video or audio, and then check whether the machine has sound.
8. Check if the video resolution is too high, our projector can not play higher resolution video than 1080P.

Customer Support:

US: support.dp.us@apemans.com
CA: support.dp.ca@apemans.com
UK: support.dp.uk@apemans.com
DE: support.dp.de@apemans.com
FR: support.dp.fr@apemans.com
IT : support.dp.it@apemans.com
ES: support.dp.es@apemans.com

05