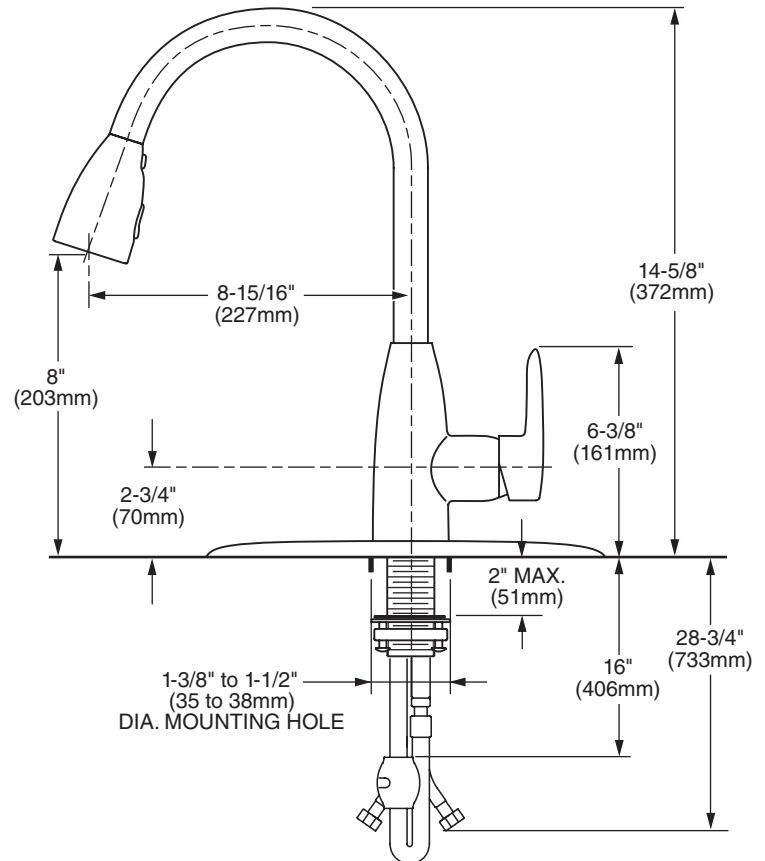




**MODEL NUMBER:**

- ☐ 4175.300 Pull Down Kitchen Faucet
- ☐ 4175.300.F15 Pull Down Kitchen Faucet  
Same as above. 1.5gpm flow rate.



**GENERAL DESCRIPTION:**

Metal body and handle with brass swivel spout. Pull-down spray with adjustable spray pattern and pause feature. Nylon braided pull out hose. Washerless 40mm ceramic disc valve cartridge. Braided flexible supply hoses with 3/8" compression connections. Brass mounting shank with brass fixation ring. Complete with two integral check valves. 2.2gpm/8.3L/min. maximum flow rate, 1.5gpm/5.7 L/min. maximum flow rate for F15 models. Fitting can be mounted with or without metal escutcheon plate (escutcheon size 10"L x 2-3/4"W).

**PRODUCT FEATURES:**

- Ceramic Disc Valve Cartridge:** Assures smooth, precise valve control and a lifetime of drip-free, maintenance-free performance.
- Brass Construction:** Highest quality materials for durability & long life.
- Memory Position Valving:** Allows user to turn valve on and off at preferred temperature setting without readjusting handle position each time.
- Lead Free:** Faucet contains ≤ 0.25% total lead content by weighted average.
- Pull-down Spray:** Adjustable spray pattern-stream to spray and pause feature.
- Integral Check Valves:** Prevents back flow.
- Choice of Finishes:** Choice of Polished Chrome, Stainless Steel (PVD) or Matte Black.

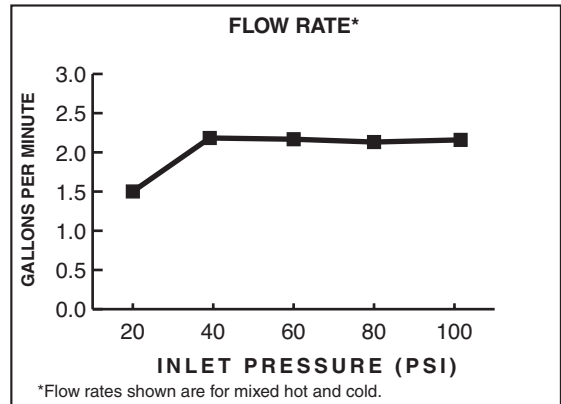
**SUGGESTED SPECIFICATION:**

Single control kitchen faucet shall feature a metal body with pull-down spray. Shall also feature washerless ceramic disc valve cartridge, flexible supply hoses and two integral check valves. Fitting shall be American Standard Model # 4175.300.\_\_\_\_.

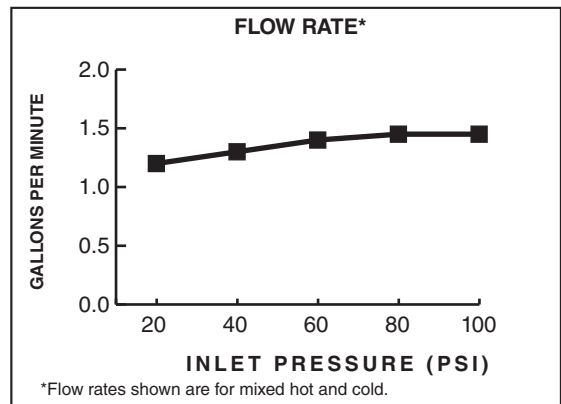
**CODES AND STANDARDS**

These products meet or exceed the following codes and standards:

- ANSI A117.1**
- ASME A112.18.1**
- NSF 61/Section 9 & Annex G**
- CSA B125**




**2.2gpm/8.3L/min. FLOW RATE**



**1.5gpm/5.7 L/min. FLOW RATE**

Product Number	Description	Finish Options		
		Polished Chrome	Stainless Steel (PVD)	Matte Black
4175.300				
4175.300	Pull-down Kitchen Faucet.			
4175.300.F15	Same as above. 1.5gpm flow rate.			

 Meets the American Disabilities Act Guidelines and **ANSI A117.1** Requirements for the physically challenged.