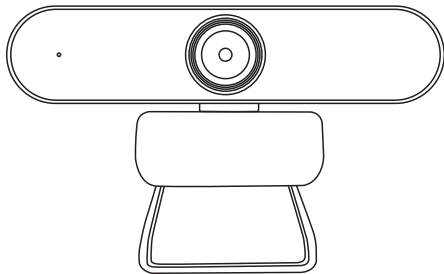


HD Webcam TENVIS TW888

QUICK START GUIDE

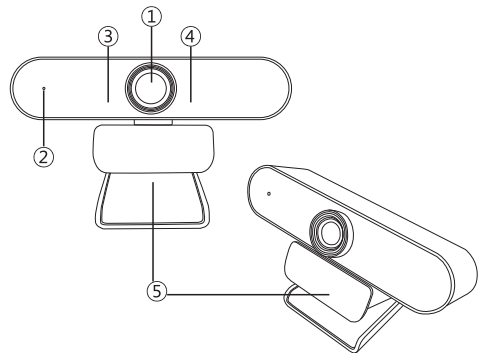
Use this guide to set up your webcam and to begin making video calls



TENVIS
the world through my eyes

FEATURES

1. Manual focus HD 1080p len
2. Microphone
3. Activity light
4. Power light
5. Flexible clip/baset



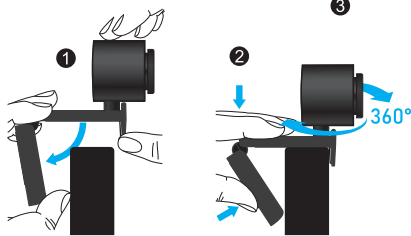
SETTING UP YOUR WEBCAM

1. Place your webcam

It is designed for the way you like to make a video call, place the webcam where you want it on a computer monitor, desktop, or tripod

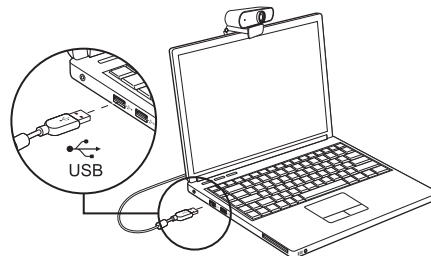
For placement on a monitor:

Grasp the webcam as shown and open the flexible clip/base with our other hand. Mount the webcam, making sure the foot on the flexible clip/base is flush with the back of your monitor.



2. Connect the webcam

Connect the webcam to a computer USB port. The Windows® UVC or Mac drivers are loaded automatically. Please be patient, driver installation



3. Use the webcam

The webcam does not ship with video calling software. To make a video call, use your video calling application.

Technical Support

If you have any questions or suggestions during the use of the product, please send us emails to contact us and provide the following information

1. Details of concerns
2. Screenshots, photos or videos of the issues
3. Windows UVC or Mac Drivers

We will get back to you with corresponding solution ASAP by Professional Service Team



support@tenvis.com



+1(833)438-9277

TENVIS
the world through my eyes