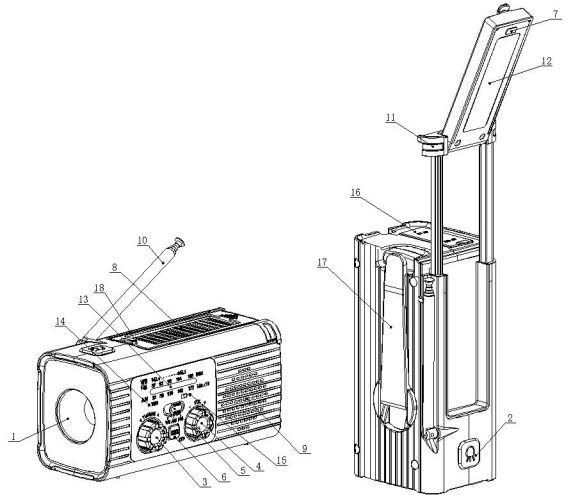


Solar Crank Radio with Flashlight & Reading Lamp

FUNCTION

1. Torch
2. Flashlight Switch
3. Tuner
4. Volume
5. FM/AM/WB
6. SOS
7. Reading Lamp
8. Solar Panel
9. Speaker
10. Antenna
11. Reading lamp adjusting axle
12. Reading Lamp
13. Frequency scale indication
14. Tuning indicator
15. Charging indicator
16. DC 5V in/out/Earphone Jack
17. Hand Crank
18. Solar panel charging indicator



RADIO OPERATION

1. Turn the 'Volume' Dial clockwise to power on the radio and adjust volume.
2. Select FM/AM/WB with radio band, extend the antenna to get better signal reception.
3. Turn Tuner Dial to select station. Green tune indicator turns on when the station selected is fully engaged.

USE THE FLASHLIGHT & READING LAMP

1. Press the flashlight switch to turn it on/off.
2. Lift up the solar panel, press the reading lamp switch to turn it on/off.
3. The reading lamp can be rotated 180 ° and can stop at any angle within this range.
4. Pull the reading lamp adjusting axle to adjust the reading lamp height.

POWER SUPPLYING:

A. Hand-Cranking

- Turn the Hand Crank continuously in clockwise or counterclockwise at speed of 130-140 RPM to generate power.

B. Solar Power

- Expose the radio solar panel in direct sunlight.
- Solar panel will charge the entire device, including the radio, flashlight and SOS alarm.
- It is mostly used for maintaining the battery, to extend its life.

C. USB Port Charging

- Recharge it via supplied USB cable.
- Connect USB power (such as AC/DC adapter or computer USB power port) and the Type C jack of the radio with the supplied USB charging cable.

To power the device such as mobile phones: Plug the USB end of the charging cable into the USB output port, the other end into the charging socket of a device such as a mobile phone. (When the power of this product and the mobile phone is low, Turn the Hand Crank continuously in clockwise or counterclockwise at speed of 130-140 RPM to generate power).

SPECIFICATION:

- 2000mAh 3.7V Li-ion (capacity optional)
- USB DC 5V output TYPE-C USB DC 5V input.
- When the battery runs out of power, turn the hand crank for 2 minutes (130-140 revolutions per minute), the flashlight or reading lamp can continuously illuminate for 15-20 minutes, and the radio can work independently for 15-20 minutes.
- Unit weight: 300G
- Product size: 135*58*68mm