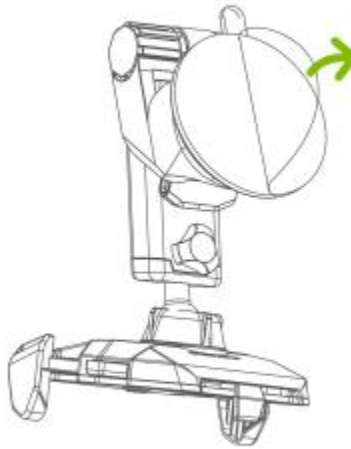
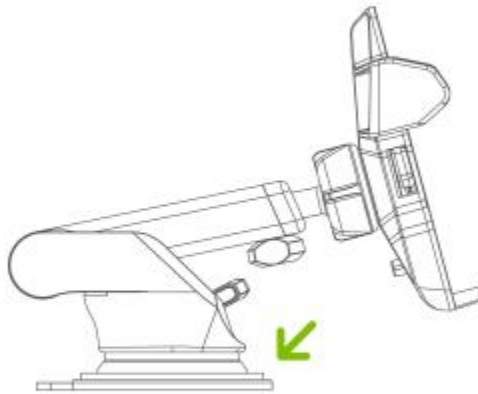


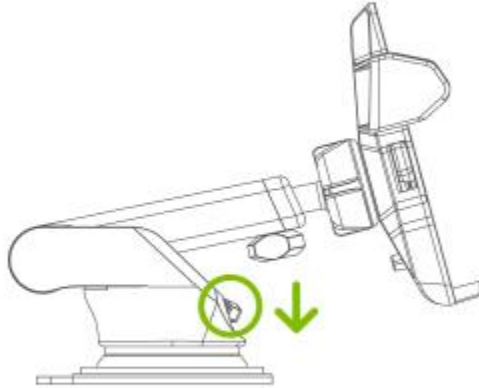
## INSTALLATION INSTRUCTION



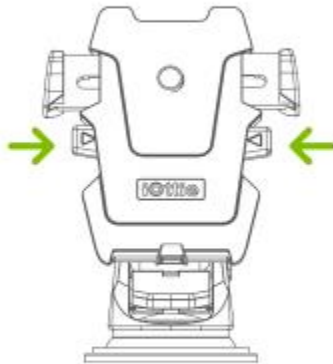
1. Peel the protective skin from the suction pad.



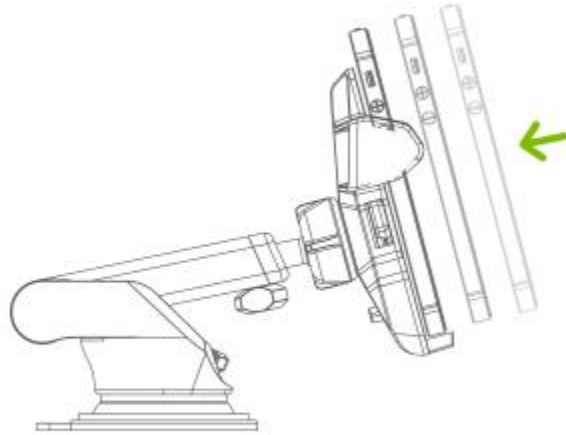
2. Place the suction pad on desired surface & press down.



3. Pull down the lever to secure the mount.
  - a) Pull down once for smooth surfaces.
  - b) Pull down twice for textured surfaces.



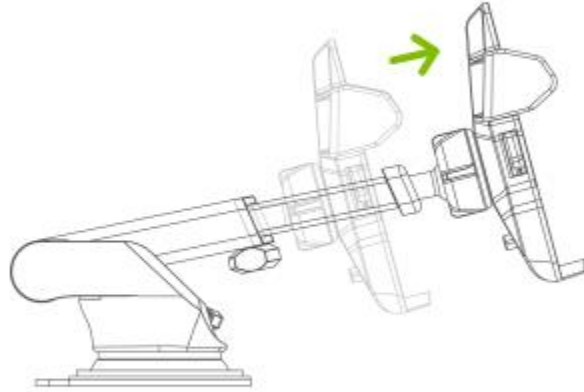
4. Press side buttons into locking position.



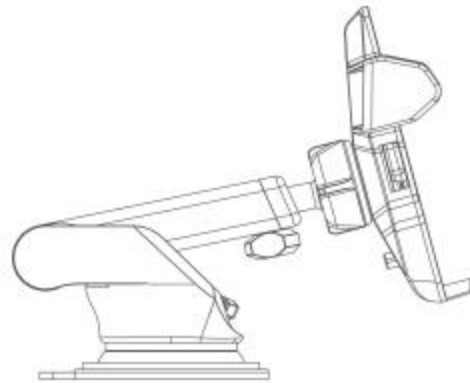
5. Place your device inside the mount firmly to activate the one touch locking system.



6. Adjust bottom foot to locate proper position.



7. Loosen knob to extend telescopic arm to desired length.



8. Tighten knob to fasten in place.



9. Adjust cradle in any angle with ball pivot joint.