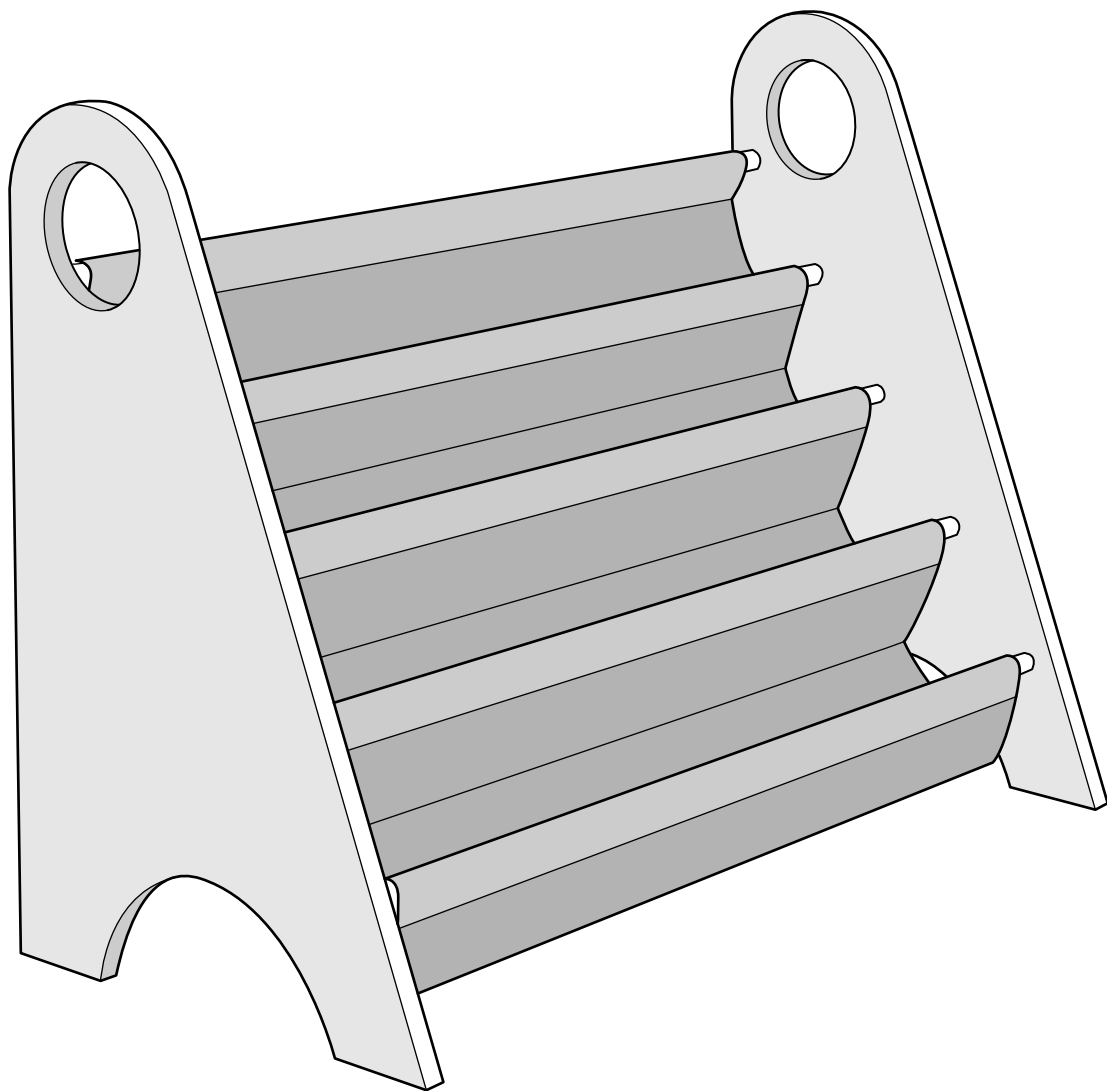


MODERN SLING BOOKSHELF

Email or Call us:

help@wildkin.com | 615-610-2814



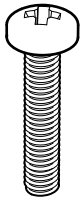
Need a replacement part?

Please attach a photo of the damage in your email to help@wildkin.com.

We are happy to help.

wildkin
grow up with us

Hardware for assembly:



A

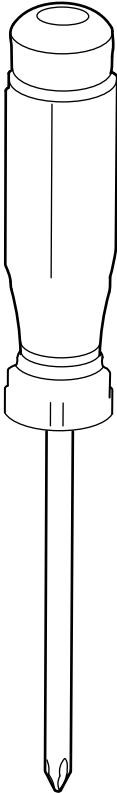
x10



B

x5

Tools you will need:



Phillips-head Screwdriver

1

Using A, B, and the fabric sling

