



Tot Tutors, Inc.
www.tottutors.com

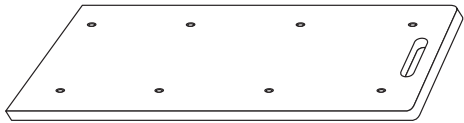
561 . 995 . 8940
email : info@tottutors.com
6600 West Rogers Circle . Suite 13
Boca Raton . Florida . 33487

WO560 - WO560E - WO560P - WO562 Toy Organizer

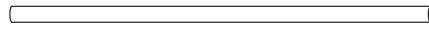
April 2010
Made in Taiwan

Recommended for ages 3 and up

This model is in compliance with ASTM toy safety standard F963 & CPSIA 2008



A) 2 end panels



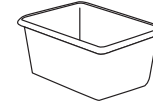
B) 8 metal rods



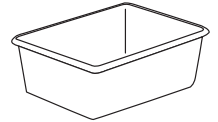
C) 20 screws



D) 2 stabilizing braces



E) 8 single size bins



F) 4 double size bins

Please read instructions completely before assembling. Assemble on a soft, smooth area. Adult assembly required.

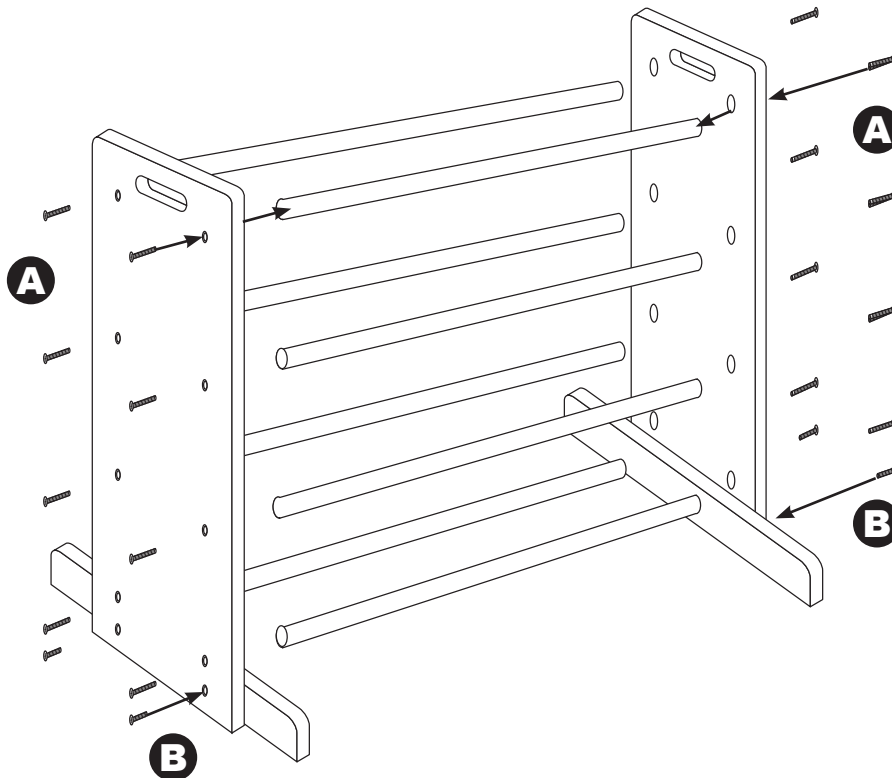
! WARNING: CHOKING HAZARD – Small parts NOT for children under 3 years.

1A

Using screws (C), screw through end panel holes (A) into metal rods (B).

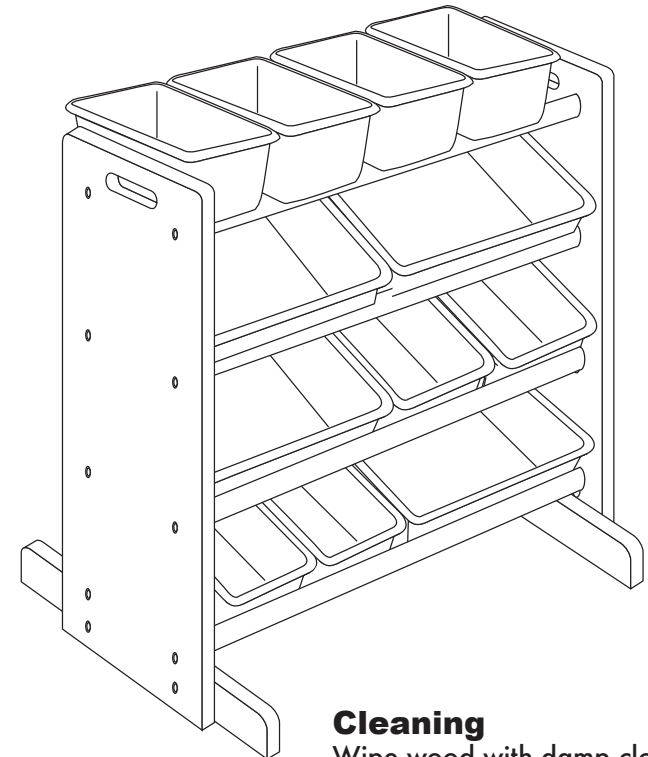
1B

Using screws (C), screw through bottom holes of end panel (A) into stabilizing brace (D).



2

Place bins (E & F) onto rods of assembled rack. Bins may be laid flat or tilted for easy viewing.



Cleaning

Wipe wood with damp cloth.
Wash plastic with mild dish soap.
Do NOT place in dishwasher.