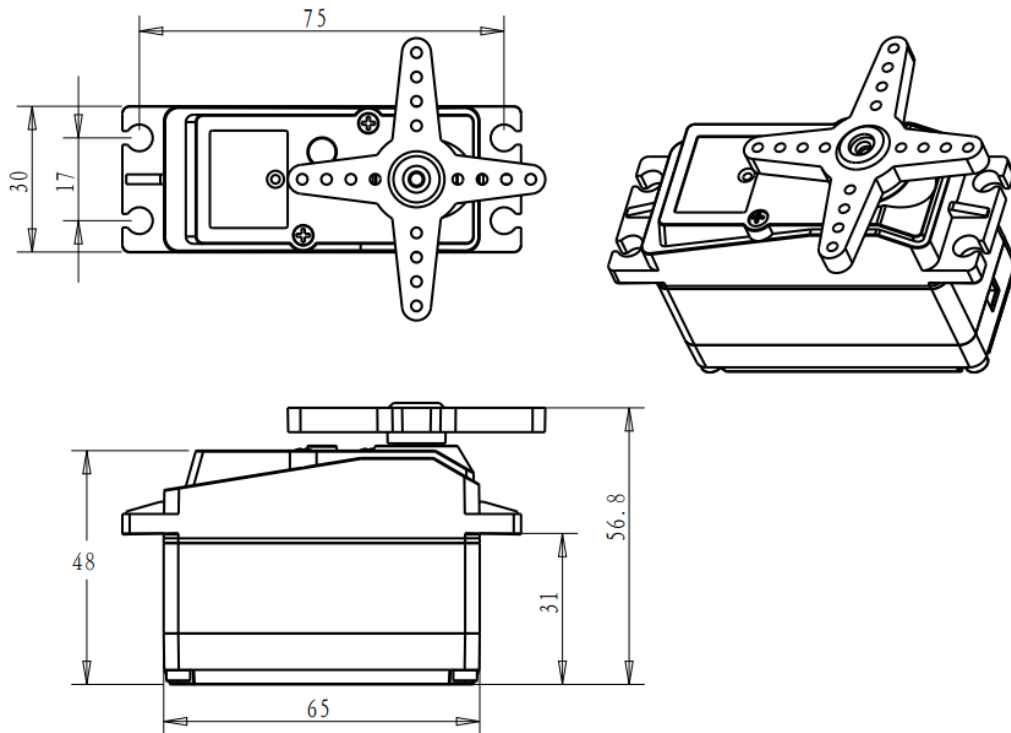




Product Name: DS5180 (RED)

Product Description: 7.4V 80kg RC Digital Servo

Drawing:



1. Apply Environmental Condition

No.	Item	Specification
1-1	Storage Temperature Range	-30°C ~ 80°C
1-2	Operating Temperature Range	-15°C ~ 70°C
1-3	Operating Voltage Range	6-8.4V

2. Mechanical Specification

No.	Item	Specification
2-1	Size	65*30*48mm
2-2	Weight	158g
2-3	Gear ratio	357
2-4	Bearing	Double bearing
2-5	Connector wire	300 ± 5mm
2-6	Motor	3-pole(s)
2-7	Waterproof performance	IP67



3. Electrical Specification

No.	Operating Voltage	6V	7.4V	8.4V
3-1	Idle current(at stopped)	4mA	5mA	6mA
3-2	Operating speed (at no load)	0.24 sec/60°	0.21 sec/6°	0.19sec/6°
3-3	Stall torque (at locked)	85 kg-cm	98 kg-cm	105 kg-cm
3-4	Stall current (at locked)	4.1A	5.4A	6.5A

4. Control Specification

No.	Item	Specification
4-1	Control System	PWM(Pulse width modification)
4-2	Pulse width range	500~2500μsec
4-3	Neutral position	1500μsec
4-4	Running degree	180° or 270° (when 500~2500 μ sec)
4-5	Dead band width	3 μsec
4-6	Operating frequency	50-330Hz
4-7	Rotating direction	Counterclockwise (when 500~2500 μsec)

5. About PWM Control

