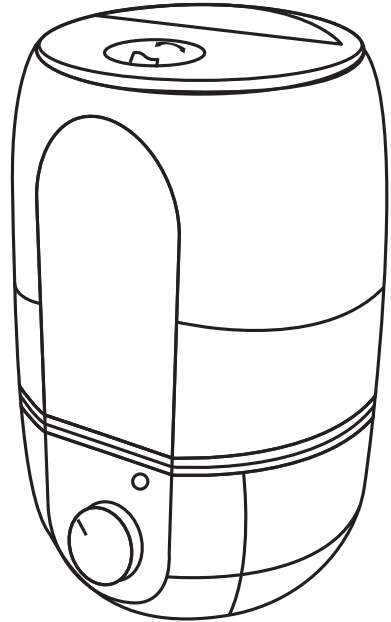
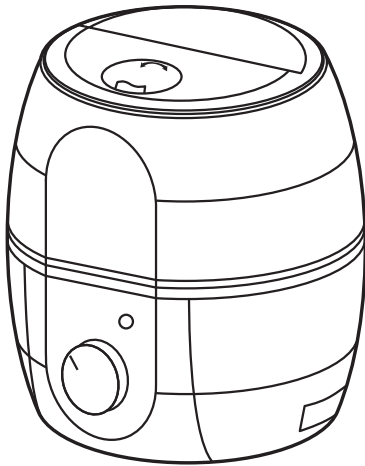


amazonbasics



Humidifier with Night Light and Aroma Diffuser

Humidificador con Luz Nocturna y Difusor de Aromas

Humidificateur avec Veilleuse et Diffuseur d'Arômes

B07VHJXNQP, B07VB4MHY3, B07VGHD4SS, B07V9NK92Y

English	3
Español	11
Français	18

READ AND SAVE THESE INSTRUCTIONS



Read these instructions carefully and retain them for future use. If this product is passed to a third party, then these instructions must be included.



When using electrical appliances, basic safety precautions should always be followed to reduce the risk of fire, electric shock, and/or injury to persons including the following:

- This appliance is not intended for use by persons (including children) with reduced physical, sensory or mental capabilities, or lack of experience and knowledge, unless they have been given supervision or instruction concerning use of the appliance by a person responsible for their safety.
- Children should be supervised to ensure that they do not play with the appliance.
- This appliance has a polarized plug (one blade is wider than the other). To reduce the risk of electric shock, this plug is intended to fit into a polarized outlet only one way. If the plug does not fit fully into the outlet, reverse the plug. If it still does not fit, contact a qualified electrician. Do not attempt to modify the plug in any way.
- Do not operate any appliance with a damaged cord or plug or after the appliance malfunctions, or is dropped or damaged in any manner. Return appliance to the nearest authorized service facility for examination, repair or electrical or mechanical adjustment.
- Do not install less than 12" (30 cm) from a vertical, horizontal, or the like surface.
- Care should be taken when using the appliance due to the emission of water vapour.
- To disconnect, turn any control to off, then remove plug from wall outlet.
- Use the product on a solid and flat surface.
- Keep the product away from items and furnishings that can be damaged by water (wooden furniture, wallpaper, etc.).
- Do not add essential oils directly into the water tank.
- The product should not be left unattended in a closed room. Air could become saturated and water vapor will condense on walls or furniture.
- Leave room door partly open during operation.
- Do not let cord hang over edge of table or counter, or touch hot surfaces.



Intended Use

- This product is intended for adding moisture to the air, and diffusing essential oils' aroma.
- This product is intended for private use only. It is not intended for commercial use.
- This product is intended to be used in dry indoor areas only.
- No liability will be accepted for damages resulting from improper use or non-compliance with these instructions.



Before First Use

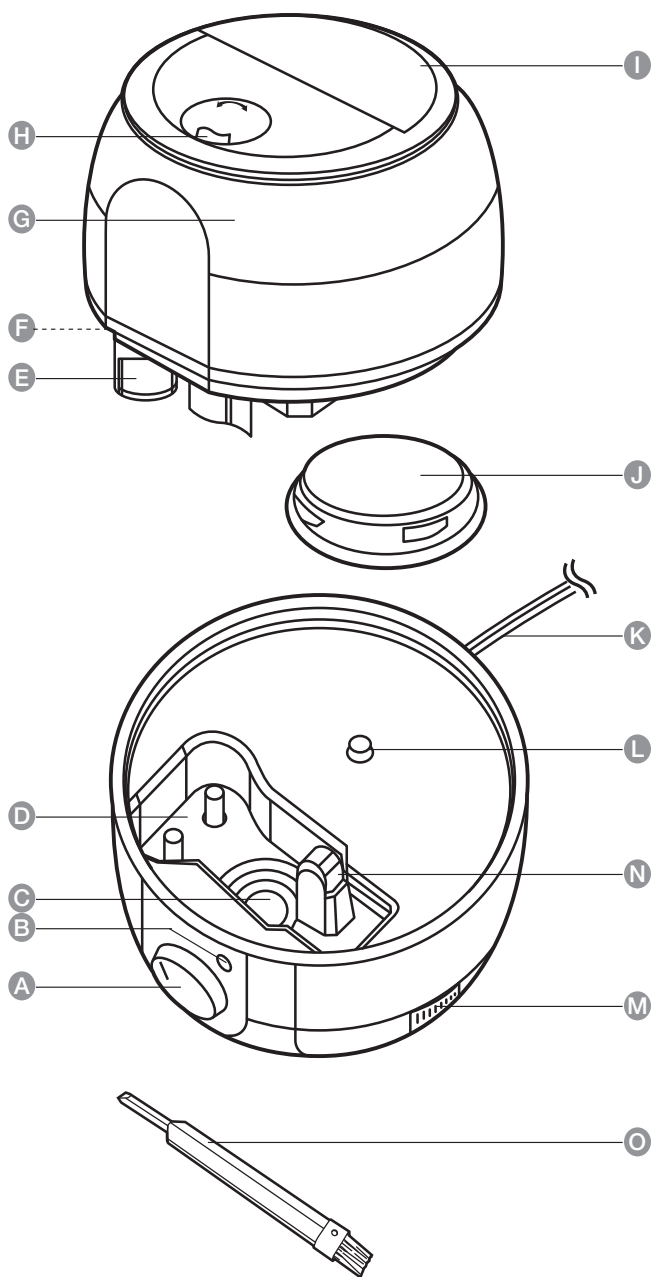
- Check the product for transport damages.
- Remove all the packing materials.
- Clean the product before first use.
- Before connecting the product to the power supply, check that the power supply voltage and current rating corresponds with the power supply details shown on the product rating label.

⚠ DANGER Risk of suffocation! Keep any packaging materials away from children – these materials are a potential source of danger, e.g. suffocation.



Product Description

- | | |
|-------------------------------|-------------------------------|
| A Control knob | I Water tank handle |
| B Light button | J Tank cap |
| C Transducer component | K Power cord with plug |
| D Reservoir | L Light |
| E Float | M Essential oil tray |
| F Water valve | N Scented air outlet |
| G Water tank | O Brush |
| H Mist nozzle | |





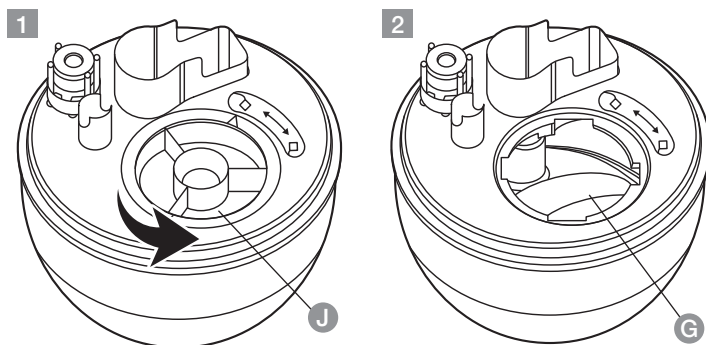
Operation

Filling the water tank

⚠ CAUTION Risk of electric shock! Disconnect the product from the power supply before removing the water tank (G).

⚠ CAUTION Risk of electric shock! Do not exceed the maximum tank capacity.

- Lift the water tank (G) from the main base. Invert the water tank.
- Rotate the tank cap (J) counter-clockwise to open the water tank (G).



- Fill the water tank (G) with cool, distilled water.

⚠ CAUTION Risk of damage! Do not fill water through the mist nozzle (H) and scented air outlet (N). This will damage the product.

- Place the tank cap (J) on the water tank (G) and rotate it clockwise to close the tank.
- Wipe the water tank (G) dry and place it back on the main body.

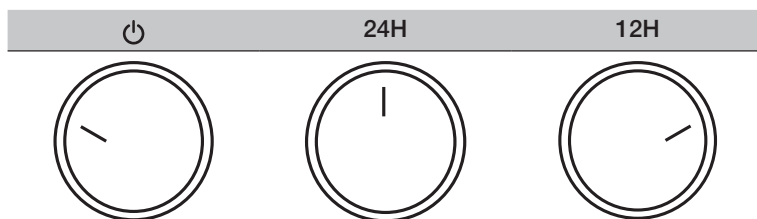
NOTICE If the water level is too low, the product goes to 'Mist off' and the light (L) flashes red. Refill the water tank (G).

Switching the humidifier on/off



The mist nozzle (H) controls the direction which the steam is being released. Rotate the the nozzle (H) to adjust the mist direction.

- Connect the product to the power supply. The light (L) switches on blue.
- To toggle mist function on/off, shift the control knob (A) to the desired setting (☺ or 24H or 12H).
- To switch off, unplug the power cord (K) from the power outlet.



NOTICE Duration of the operation is subject to differences in water/ ambient temperature and humidity level.

Switching the light on/off

- To switch off the light (L), press the light button (B).
- To switch on the light (L), press the light button (B) again.

Aroma diffuser

- Push to eject the essential oil tray (M) and pull it out of the main body.
- Put few drops of an essential oil (not provided) onto the tray.
- Push the essential oil tray (M) back in place.

Cleaning and Maintenance

⚠ CAUTION Risk of electric shock! To prevent electric shock, unplug the product before cleaning.

⚠ CAUTION Risk of electric shock! During cleaning do not immerse the electrical parts of the product in water or other liquids. Never hold the product under running water.

NOTICE Clean the product at least once in every two weeks.

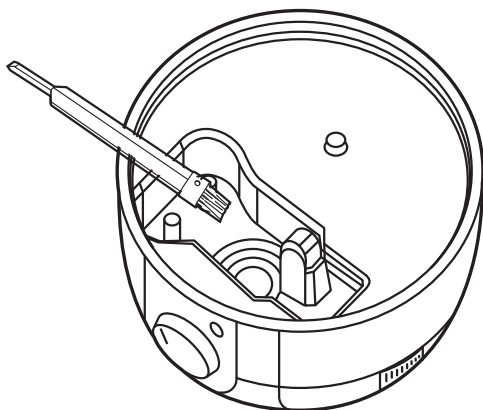
Cleaning the main base

- To clean the product, wipe with a soft, slightly moist cloth.
- Dry the main base after cleaning.
- Never use corrosive detergents, wire brushes, abrasive scourers, metal or sharp utensils to clean the product.

Cleaning the water tank, reservoir and oil tray

- Rinse the parts with a 5-15% vinegar solution.
- Pour out the solution residue.
- Rinse the parts with water.
- Use the brush (O) to clean the reservoir (D) and other tiny gaps that are hard to reach.





Storage

- Store the product in its original packaging in a dry area. Keep away from children and pets.

Maintenance

- Any other servicing than mentioned in this manual should be performed by an authorized service representative.



Troubleshooting

Problem	Solution
The product does not switch on.	<ul style="list-style-type: none"> • Check if the power plug is connected to the power outlet. Check if the power outlet works.
Unpleasant odor.	<ul style="list-style-type: none"> • Clean the water tank (G) and the reservoir (D). • Replace the water. • Clean the essential oil tray (M).
Blue light appears but no mist emitted.	<ul style="list-style-type: none"> • Check if the product is switched on. • Check the mist nozzle (H) for obstructions.
Adequate water but red light blinks.	<ul style="list-style-type: none"> • Check the float (E) for obstructions. • Refill the water tank (G).



Problem	Solution
The product is leaking.	<ul style="list-style-type: none"> • Check if the tank cap (J) is firmly locked. • Check if the water tank (G) is broken.

FCC – Supplier’s Declaration of Conformity

Unique Identifier	B07VHJXNQP, B07VB4MHY3, B07VGHD4SS, B07V9NK92Y - Humidifier with Night Light and Aroma Diffuser
Responsible Party	Amazon.com Services, Inc
U.S. Contact Information	410 Terry Ave N. Seattle, WA 98109, United States
Telephone Number	(206) 266-1000



FCC Compliance Statement

This device complies with Part 18 of the FCC rules:

- This device may cause interference to radio equipment and should not be installed near maritime safety communications equipment or other critical navigation or communication equipment operating between 0.45–30 MHz.

FCC Interference Statement

This equipment has been tested and found to comply with the limits for a Class B digital device, pursuant to part 18 of the FCC Rules. These limits are designed to provide reasonable protection against harmful interference in a residential installation. This equipment generates, uses and can radiate radio frequency energy and, if not installed and used in accordance with the instructions, may cause harmful interference to radio communications. However, there is no guarantee that interference will not occur in a particular installation. If this equipment does cause harmful interference to radio or television reception, which can be determined by turning the equipment off and on, the user is encouraged to try to correct the interference by one or more of the following measures:

- Reorient or relocate the receiving antenna.
- Increase the separation between the equipment and receiver.
- Connect the equipment into an outlet on a circuit different from that to which the receiver is connected.
- Consult the dealer or an experienced radio / TV technician for help.



Canada IC Notice

- This Class B digital apparatus complies with Canadian CAN ICES-1 / NMB-1 standard.

Specifications

Model	B07VHJXNQP B07VB4MHY3	B07VGHD4SS B07V9NK92Y
Water tank capacity	2 L	4 L
Ratings	120 V~, 60 Hz, 18 W	120 V~, 60 Hz, 21 W
Humidification speed	max. 185 ml/h	max. 360 ml/h
Net weight	2.76 lbs (1.25 kg)	3.06 lbs (1.39 kg)
Dimensions (W x D x H)	7.87" x 8.11" x 8.56" (200 mm x 206 mm x 217 mm)	7.87" x 8.11" x 11.5" (200 mm x 206 mm x 293 mm)



Feedback and Help

Love it? Hate it? Let us know with a customer review.

AmazonBasics is committed to delivering customer-driven products that live up to your high standards. We encourage you to write a review sharing your experiences with the product.

 [amazon.com/review/review-your-purchases#](https://www.amazon.com/review/review-your-purchases#)

 [amazon.com/gp/help/customer/contact-us](https://www.amazon.com/gp/help/customer/contact-us)

amazonbasics

amazon.com/AmazonBasics

MADE IN CHINA
HECHO EN CHINA
FABRIQUÉ EN CHINE

V01-12/19