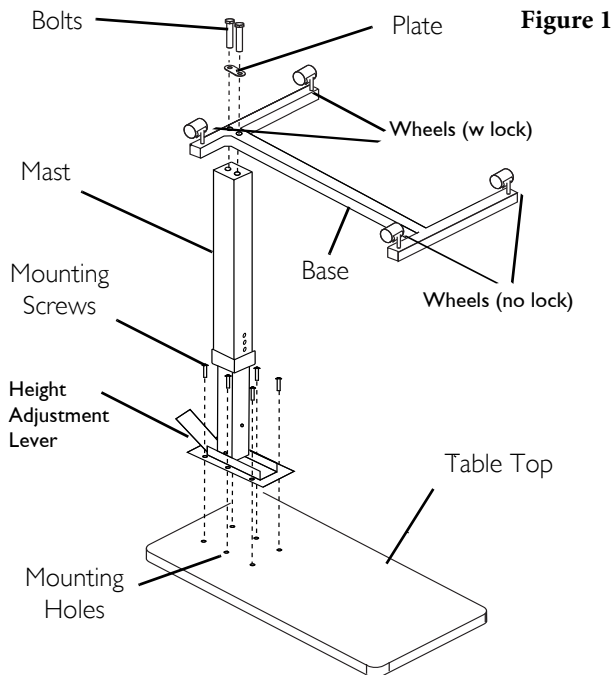


## Important Warnings

Please follow all instructions and warnings to avoid hazardous situations that can result in property damage and/or patient/resident/staff/caregiver injury and/or death. Inspect the product for damage and loose hardware before each use. **DO NOT** use the product if it appears to be damaged or unstable. **DO NOT** modify the product.

## Overbed Table (M880N-IVGY-YYVM)



## Intended Use

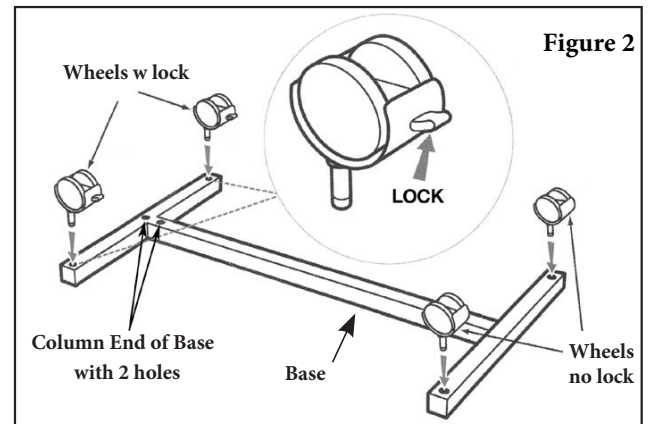
This product is designed for use as a movable patient/resident table top surface for reading, eating, or keeping small personal items such as glasses, telephone, or books within easy reach. This product is designed for indoor use **ONLY** within close proximity of skilled caregivers. It is not designed to hold electrical items (such as televisions, computer monitors, coffee pots, etc.) and should not be used near open flames and excessive heat. Maximum weight limitation for this product is 45 lbs.; weight should be evenly distributed over the table top surface while at the lowest usable height to help maintain a stable condition. **DO NOT** overload the product as that could result in breakage, as well as damage to property and/or serious injury. Use **ONLY** as directed for its intended use. This product should **NOT** be used: as a sleep surface; as a walker or mobility aid to assist a person in walking, sitting down or standing up; to prevent or brace a person's fall; or to help transport persons or items.

## One Year Warranty

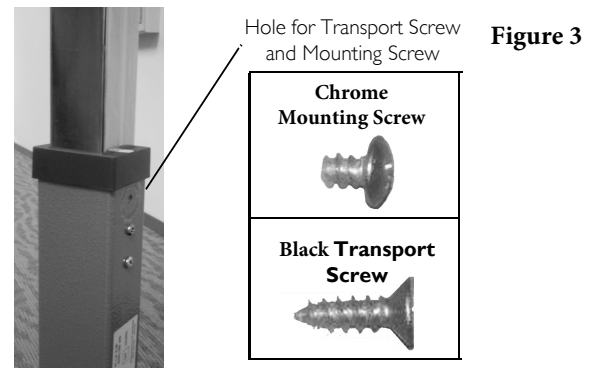
This warranty is solely for the benefit of the original consumer purchaser. This device was built to precise standards and carefully inspected prior to shipment. Your Vaunn Medical product is warranted to be free of defects in materials and workmanship for a period of one year. If within such warranty period, the product proves defective, the product will be repaired or replaced, at the option of Vaunn Medical. This warranty does not cover device failure due to owner misuse or negligence, or normal wear and tear. This warranty does not extend to non-durable components, such as rubber accessories and wheels, which are subject to normal wear and will require periodic replacement. For questions regarding your Vaunn Medical products, please contact our authorized dealer – Beyond Med Shop, Tel: 832-939-8290.

## Assembly Instructions

- % Remove contents from packaging and lay Table Top on a flat surface with mounting holes facing upward. (see Figure 1)
- & Secure the Mast to the Table Top with 6 mounting screws. Tighten securely.
- ' Insert each of the 4 wheels into the Base until an audible 'click' is heard. The 2 wheels with lock must be installed on the column end of the Base. (see Figure 2)



- (" Secure the Base to the Mast with the 2 Bolts and Plate. Tighten securely. (see Figure 1)
  - ) Turn the table upright and stand on casters.
  - \* Remove black transport screw located on the Mast just below table top. Replace with chrome mounting screw provided. Securely tighten. (see Figure 3)
- (Note: Save black transport screw for future use. The transport screw is used to secure table top to its mast in its lowest position to avoid damage when transporting the product.)



## Operating Instructions

### Adjusting Table Height:

1. Check that Height Adjustment Lever located underneath the table top is properly engaged prior to use.
  2. Squeeze gently the Height Adjustment Lever up towards the table top. Adjust table top to desired height.
- (Note: Do not press too hard on lever. This will cause the table top to run through multiple latching points before locking in place.)