

Aqualin LCD Timer- 21026

You have purchased a quality electronic water timer using an efficient solenoid Snap-On/snap off valve. Please read these operating instructions carefully to familiarise yourself with the water timer's features, correct installation and use. Check that the program(s) is/are performed as you plan when the timer is used for the first time. This timer should only be operated by adults who are familiar with the operating instructions.

Designed Use. This Electronic Water Timer is designed for use outdoors only, in gardens, for the control of sprinklers and water systems. The Water Timer must not be used for industrial purposes or in conjunction with chemicals, foodstuffs, flammable or explosive materials.

PLEASE USE DURACELL BATTERY ONLY. DO NOT USE RECHARGEABLE ONES.

Technical Data. (BALL VALVE INSIDE)

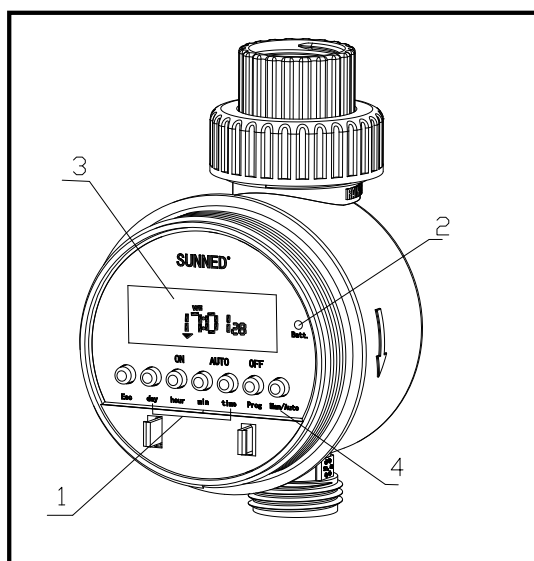
Operating Voltage:	DC 3v. (use a high-power alkaline battery)
Static Current:	less than or equal to 18uA
Battery life:	1 season (6 months) normal use.
Time error:	+0.25 second per day
Operating temperature	5°C to 60°C
Water pressure:	0 bar to 8 bar
Key Lock:	Simple to set and unset. Prevents unauthorised/accidental program changes.

How the Electronic Water Timer works. Your electronic water timer will water your garden and hanging baskets completely automatically according to the program you choose. You can set the timer to water your garden early in the morning or late at night when water evaporates the least. It will continue to water whilst you are on holiday. It provides two flexible methods to control irrigation:

1. **Manual:** press Man/Auto button to switch between: On - Off – Auto.
2. **Automatic:** Can water up to 8 times per day. Choose quickly from 15 different day combinations to control which days of the week the timer operates.

TIMER INSTALLATION:

1. Unscrew and remove waterproof cover. Slowly slide out the battery box from its compartment in the face of the timer. Install two new 1.5V alkaline batteries (size AAA). Replace battery box.
2. Hold the unit steady. Loosen the LARGE LOCKING COLLAR RING located in the top of the timer until the inner FAUCET COLLAR is loose. Screw the FAUCET COLLAR onto the faucet/tap until it is hand tight, and then hand tighten the LARGE LOCKING COLLAR RING. Turn on the faucet/tap to open the flow of water. (DO NOT USE WRENCHES OR PLIERS TO TIGHTEN THE COLLARS.)



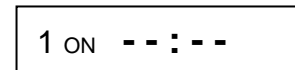
1. **Time:** Sets the current time and day. Keep depressed then press:-
Minute: Press to advance one minute. Keep pressed for fast op'n.
Hour: Press to advance one hour. Keep pressed for fast op'n.
Day: : Press to advance to next day, displayed above time.
2. **Battery low indicator,** when the indicator flashes ever 1 second means low battery, need to replace the battery.
3. **LCD Display**
4. **Man/Auto:** Switches between on – auto – off. Indicated by arrow.
Prog: Press to show 1st on, then hour, minute, day, to program time.
Esc: Clears set program time. Press for 3 secs to lock keyboard.

Function Keys and Display.

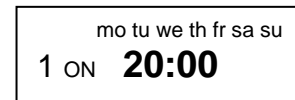
- **Keyboard lock:** Press Esc for more than 3 seconds to set. Press again for 3 seconds to unset.
- **Time set:** Ensure keyboard is unlocked. Hold "time" key down whilst pressing alternately "min", "hour" and "day". A light touch advances by one unit, holding down the min or hour advances time quickly.
- **Program set:** see below.
- **Esc key:** acts as a clear button for individual program time sets. Does not clear the current time.

Programming the timer.

1. Press “Program” once. Program 1 ON appears on the display.

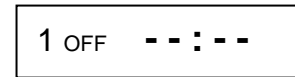


2. Press “hour” and “minute” to set START time, program 1 (24hr clock).



3. Press “day” to set days of the week that program 1 operates. (Defaults to mon-sun, i.e., every day).

4. Press “Program” again. Program 1 OFF appears on the display.



5. Press “hour” and “minute” to set END time, program 1



If you only want your watering system to come on once per day, for the days set in 3 above, stop here.

6. Press “Program” again. Program 2 ON appears on the display.

7. Repeat steps 2 to 5 above for a second watering on the above days, or watering on selected days only.

- Up to 8 programs may be set from a total of 15 different days-in-the-week configurations.
- Ensure that the days for the OFF setting are the same as those for the ON setting
- Ensure that every ON time has an OFF time!!
- To exit programming press “time” which returns the display to the current time and day

If after pressing “Program” you press “day” repeatedly the following day combinations appear (see 3 above)

1	MO	4	TH	7	SU	10	SA SU	13	MO TU WE TH FR
2	TU	5	FR	8	MO WE FR	11	MO TU WE	14	MO TU WE TH FR SA
3	WE	6	SA	9	TU TH SA	12	TH FR SA	15	MO TU WE TH FR SA SU

NB (1) Install with inlet & outlet vertical (2) Bring in before frosts start (3) “Man/Auto” on/off overrides program.

TROUBLE-SHOOTING GUIDE:

If the water does not come on, please check the following:

- 1.Be sure the faucet/tap is turned on.
- 2.Check to be sure the batteries are in good condition and are installed correctly.
- 3.Check to be certain that the frequency and run times are the same as your record.
- 4.Be sure that the frequency setting is longer than the run time. For example, you cannot set the frequency at the 1 hour setting and have the run time set for anything over 60 minutes.

Rain Sensor Link: http://www.amazon.in/dp/B07ZXGJ6ZY?ref=myi_title_dp

Drip Irrigation Kit Link: http://www.amazon.in/dp/B08HMY3TP1?ref=myi_title_dp