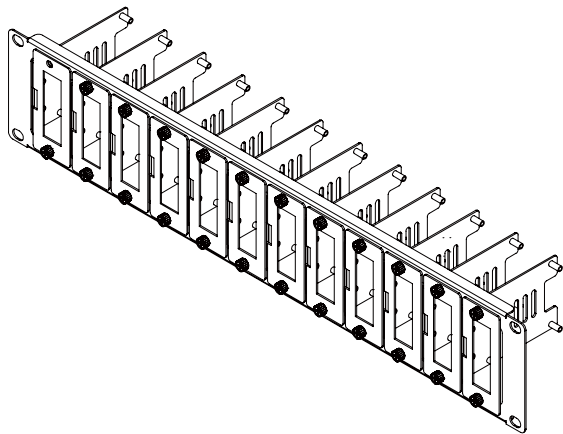


UCTRONICS

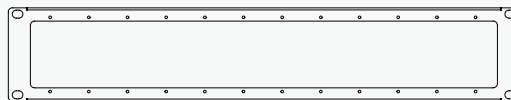
Assembly Instruction

SKU:U6178

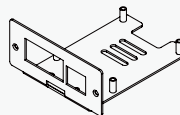


www.uctronics.com

PACKING LIST



2U Rackmount×1



Mounting plates for
Raspberry Pi 4B×12



M6*12 Screws×4

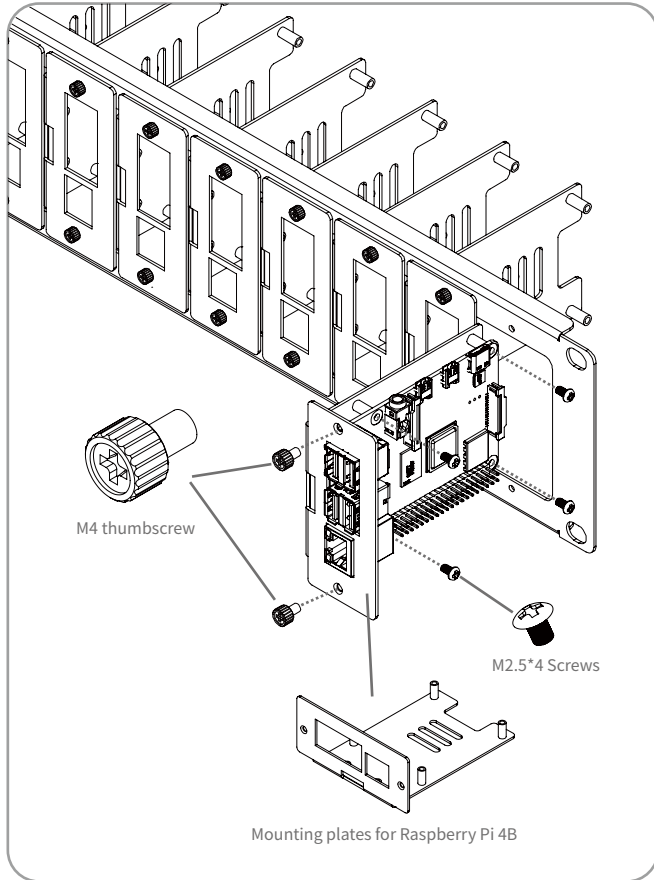


M4 thumbscrew×24



M2.5*4 Screws×48

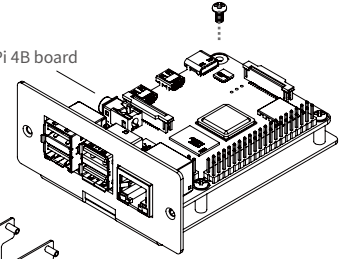
EXPLODED VIEW



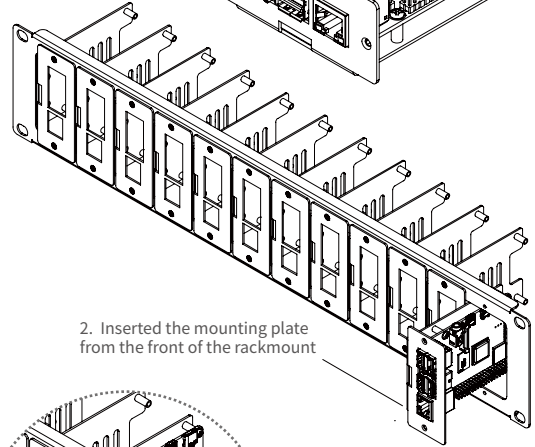
STEP

 The Raspberry Pi 4B motherboard is not included.

1. Fixed the Raspberry Pi 4B board with M2.5 screws



2. Inserted the mounting plate from the front of the rackmount



3. Mounted with M4 thumbscrew

