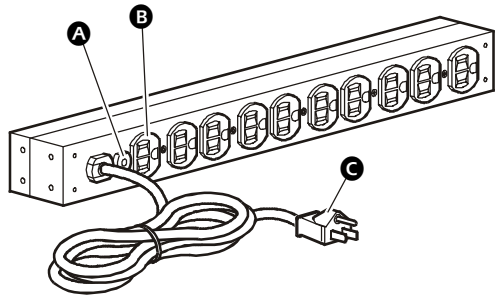




Power Distribution Units AP9562, AP9563, and AP9564

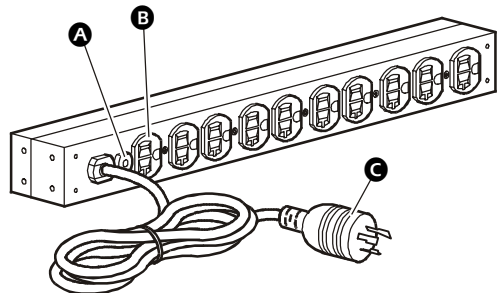
AP9562, AP9563, and AP9564 are 15- and 20-amp Rack Power Distribution Units (PDUs) that provide 120-volt power to rack-mounted equipment.

AP9562



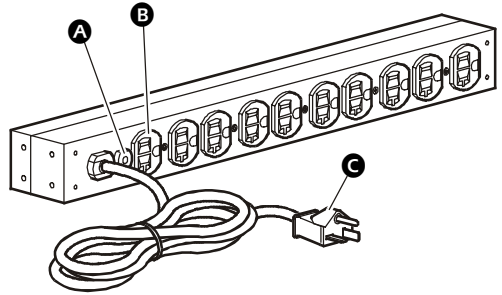
- A** 15-amp circuit breaker (1)
- B** NEMA 5-15 outlets (10)
- C** 12-foot NEMA 5-15 power cord

AP9563



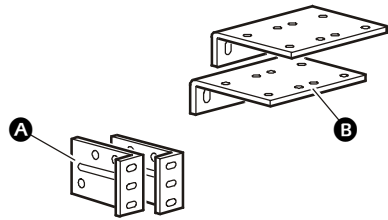
- A** 20-amp circuit breaker (1)
- B** NEMA 5-20 outlets (10)
- C** 12-foot NEMA L5-20 power cord

AP9564



- A** 20-amp circuit breaker (1)
- B** NEMA 5-20 outlets (10)
- C** 12-foot NEMA 5-20 power cord

Mounting brackets



- A** Brackets for horizontal mounting
- B** Brackets for vertical mounting



Note

Each PDU is packaged with two types of mounting brackets (for horizontal and vertical mounting). Choose your mounting orientation and attach the appropriate brackets to the PDU for installation.

Safety and Grounding

Read the following information before installing or operating your APC Power Distribution Unit (PDU):

- This PDU is intended for indoor use only.
- Do not install this PDU where excessive moisture or heat is present.
- Never install any wiring, equipment, or PDUs during a lightning storm.
- Plug this PDU into a three-wire, grounded power outlet only. The power outlet must be connected to appropriate branch circuit/mains protection (fuse or circuit breaker). Connection to any other type of power outlet may result in a shock hazard.
- Use only the supplied brackets for mounting.
- Do not use extension cords or adapters with this PDU.
- Do not work alone under hazardous conditions.
- Check that the power cord, plug, and socket are in good condition.
- Disconnect the PDU from the power outlet before you install or connect equipment to reduce the risk of electric shock when you cannot verify grounding. Reconnect the PDU to the power outlet only after you make all connections.
- Use a protective earth connector with equipment. This type of connector carries the leakage current from the load devices (computer equipment). Do not exceed a total leakage current of 3.5 mA.

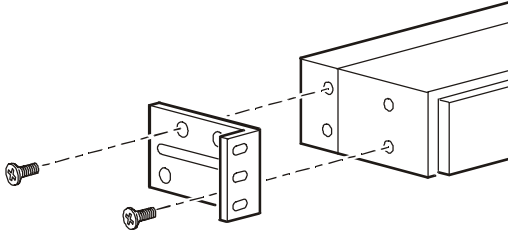


Risk of electrical shock. Use only the supplied hardware to attach the mounting brackets.

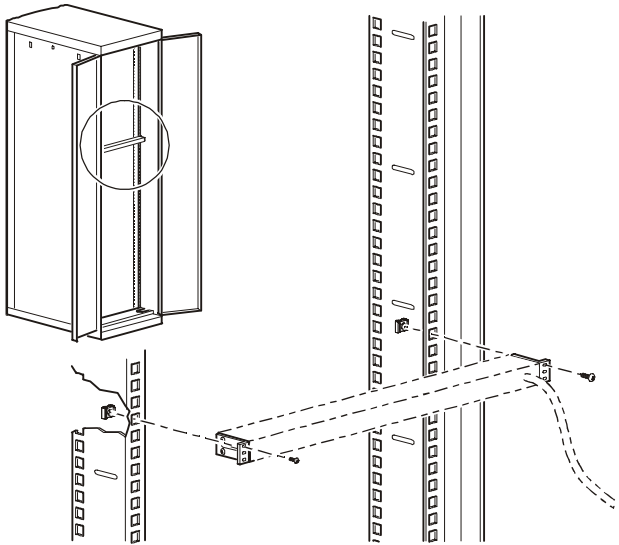
Installation

**Horizontal
mounting
(any standard
19-inch EIA-310
rack or
enclosure)**

1. Attach the horizontal-mounting brackets to the PDU.

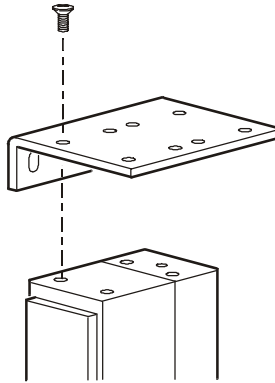


2. Install the PDU using hardware included with your rack or enclosure. The PDU will occupy one U-space.

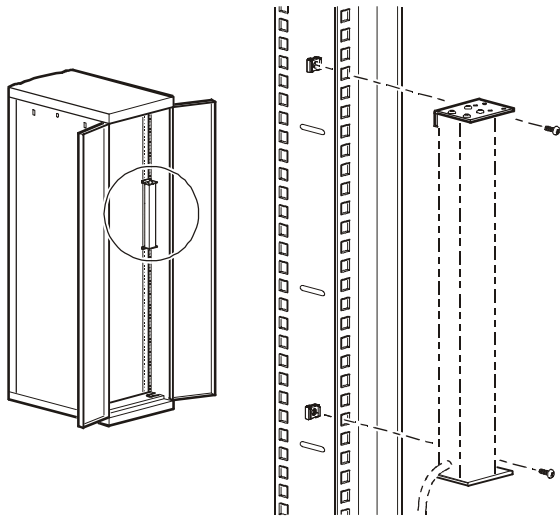


**Vertical
mounting
(any standard
EIA-310 rack or
enclosure)**

1. Attach the vertical-mounting brackets to the PDU.



2. Install the PDU on a vertical mounting rail in your rack or enclosure.



Specifications

	AP9562	AP9563	AP9564
Electrical			
Input voltage range	100–120 V		
Maximum current draw	15 A	20 A	20 A
Physical			
Size (h×w×d)	1.75×17.6×2.25 in (4.45×44.7×5.72 cm)		
Shipping size (h×w×d)	2.75×18.25×9.0 in (6.99×46.35×22.86 cm)		
Weight	5.5 lb (2.5 kg)		
Shipping weight	8.0 lb (3.6 kg)		
Environmental			
Elevation (above MSL)	Operating: 0–10,000 ft (0–3000 m) Storage: 0–50,000 ft (0–15 000 m)		
Relative humidity	Operating: 0 to 95%, non-condensing Storage: 0 to 95%, non-condensing		
Temperature	Operating: 23 to 113° F (–5 to 45° C) Storage: –13 to 149° F (–25 to 65° C)		
Compliance			
Safety	UL/cUL Recognized; UL 1363		

Warranty

Limited warranty

APC warrants the Power Distribution Units to be free from defects in materials and workmanship for a period of two years from the date of purchase. Its obligation under this warranty is limited to repairing or replacing, at its own sole option, any such defective products. This warranty does not apply to equipment that has been damaged by accident, negligence, or misapplication or has been altered or modified in any way. This warranty applies only to the original purchaser.

Warranty limitations

Except as provided herein, APC makes no warranties, express or implied, including warranties of merchantability and fitness for a particular purpose. Some jurisdictions do not permit limitation or exclusion of implied warranties; therefore, the aforesaid limitation(s) or exclusion(s) may not apply to the purchaser.

Except as provided above, in no event will APC be liable for direct, indirect, special, incidental, or consequential damages arising out of the use of this product, even if advised of the possibility of such damage.

Specifically, APC is not liable for any costs, such as lost profits or revenue, loss of equipment, loss of use of equipment, loss of software, loss of data, costs of substitutes, claims by third parties, or otherwise. This warranty gives you specific legal rights and you may also have other rights, which vary according to jurisdiction.

Life-Support Policy

General policy

American Power Conversion (APC) does not recommend the use of any of its products in the following situations:

- In life-support applications where failure or malfunction of the APC product can be reasonably expected to cause failure of the life-support device or to affect significantly its safety or effectiveness.
- In direct patient care.

APC will not knowingly sell its products for use in such applications unless it receives in writing assurances satisfactory to APC that (a) the risks of injury or damage have been minimized, (b) the customer assumes all such risks, and (c) the liability of American Power Conversion is adequately protected under the circumstances.

Examples of life-support devices

The term *life-support device* includes but is not limited to neonatal oxygen analyzers, nerve stimulators (whether used for anesthesia, pain relief, or other purposes), autotransfusion devices, blood pumps, defibrillators, arrhythmia detectors and alarms, pacemakers, hemodialysis systems, peritoneal dialysis systems, neonatal ventilator incubators, ventilators (for adults and infants), anesthesia ventilators, infusion pumps, and any other devices designated as “critical” by the U.S. FDA.

Hospital-grade wiring devices and leakage current protection may be ordered as options on many APC UPS systems. APC does not claim that units with these modifications are certified or listed as hospital-grade by APC or any other organization. Therefore these units do not meet the requirements for use in direct patient care.



APC Worldwide Customer Support

Customer support for this or any other APC product is available at no charge in any of the following ways:

- Visit the APC Web site to find answers to frequently asked questions (FAQs), to access documents in the APC Knowledge Base, and to submit customer support requests.
 - **www.apc.com** (Corporate Headquarters)
Connect to localized APC Web sites for specific countries, each of which provides customer support information.
 - **www.apc.com/support/**
Global support with FAQs, knowledge base, and e-support.
- Contact an APC Customer Support center by telephone or e-mail.
 - Regional centers:

APC headquarters U.S., Canada	(1)(800)800-4272 (toll free)
Latin America	(1)(401)789-5735 (USA)
Europe, Middle East, Africa	(353)(91)702020 (Ireland)
Japan	(81) (0) 3 5434-2021 Guidance 3

- Local, country-specific centers: go to **www.apc.com/support/contact** for contact information.

Contact the APC representative or other distributor from whom you purchased your APC product for information on how to obtain local customer support.

Entire contents copyright © 2003 American Power Conversion. All rights reserved. Reproduction in whole or in part without permission is prohibited. APC and the APC logo are trademarks of American Power Conversion Corporation and may be registered in some jurisdictions. All other trademarks, product names, and corporate names are the property of their respective owners and are used for informational purposes only.