

User Manual of Product 1:

MPOWERD Luci Solar String Lights + Power Hub: White 44'
Rechargeable via Solar or USB-C, Detachable 44 ft Cord, 140
Lumens LEDs, Lasts Up to 40 Hours, Waterproof, Camping,
Pool/Patio, Travel

User Manual of Product 2:

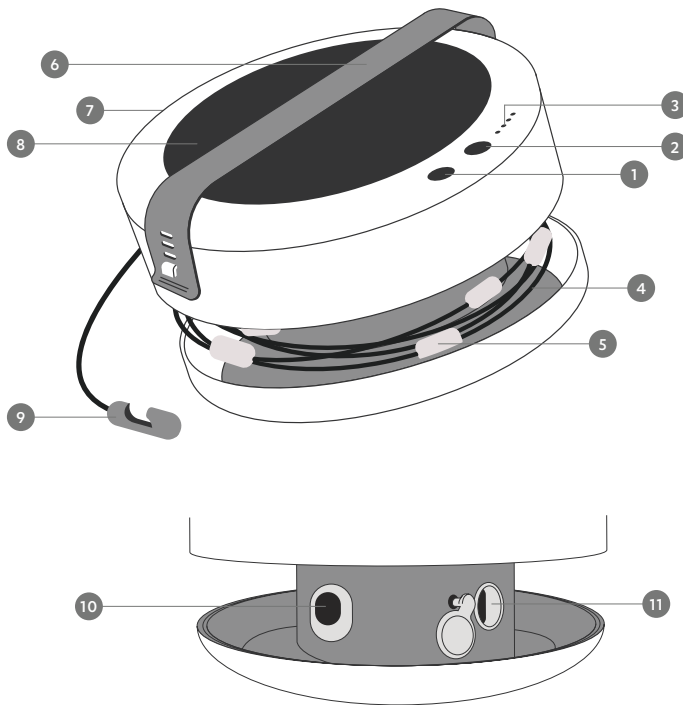
MPOWERD Luci Pro Lux: Solar Inflatable Light + Mobile
Charger, Clear, 5 x 4.25"

**Luci Solar String
Lights + Power Hub:
44 ft White LEDs**

Instruction manual

MPOWERD®

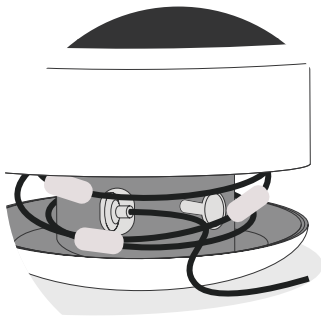
Getting to know Luci



1. Power button
2. Battery level indicator button
3. Battery level indicator
 - 1 light = 0-20%
 - 2 lights = 21-40%
 - 3 lights = 41-60%
 - 4 lights = 61-100%
4. Nylon-braided cord
5. Shatterproof bulbs
6. Adjustable strap
7. Built-in USB ports (exterior side)
8. Solar panel
9. Hook clip
10. USB Storage Slot
11. USB Power Port

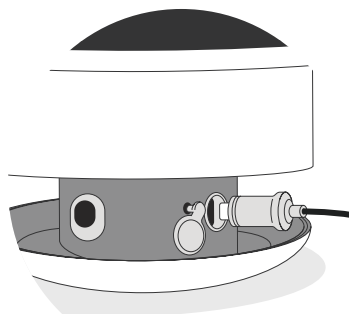
Not shown: At the end of the string is the USB plug

Interior USB ports



Inside the Power Hub are 2 USB slots (see 10 & 11 above). The USB Storage Slot is for protection of the USB plug when the string is wrapped inside the Power Hub. Storing it in here stops the USB plug from fraying and allows you to wind the string easier.

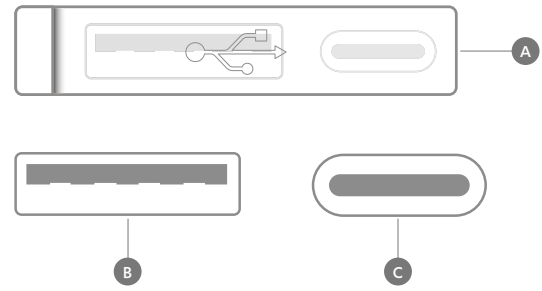
IMPORTANT: When receiving your light, the string will be placed in the USB Storage Slot. This means your light WILL NOT TURN ON UNTIL THE USB PLUG IS MOVED INTO THE USB POWER PORT.



In order for the lights to turn on, the USB plug needs to be inserted into the USB Power Port. Once the plug is inserted, push the power button, and your string lights will shine!

Exterior USB Ports

- A. Lift cap to reveal ports
- B. USB-A port to charge other devices
- C. USB-C to charge Solar String Lights + other devices



Charging

Charge via solar

- With solar panel side up, place in direct sunlight for a full charge.
- Press battery level indicator button at any time to check battery level. See illustration on previous page for more info.

Charge via USB-C

- If your light is not in close proximity to a power source, you can simply remove the Power Hub and leave your string set up. To detach, remove the USB plug from the USB Power Port, and then transport your Power Hub to your outlet.
- Insert the USB cord provided into the built-in USB-C port on the unit exterior, and then insert the other end into a USB outlet for 3-5 hours.
- Ensure the cord is firmly in position and check that the Battery Level Indicator lights are flashing - this means it's charging.
- When charged, take Power Hub back to the string lights, and connect the USB plug back into the USB Power Port.

Charging devices

- Simply insert your charging cable at the USB-A or USB-C end into the USB port on the light, and then plug the other end of the cable into your device. Power up!

How to use

Twist

- Holding the top and bottom of the unit with each hand, twist to open and reveal string lights.

Unravel and string up

- Locate the hook clip at the end of the string and unravel to desired length.
- Once unraveled, thread string through the opening notch, and close unit.
- To string up, simply wrap the end of the string around something and affix the hook clip to secure. There is a hook clip at the end of the string, and 2 more spread throughout.

String up and shine

- Ensure that the USB is plugged into the USB Power Port and NOT the USB Storage Slot
- Press power button to turn unit on.
- 1 click for low mode, 2 clicks for medium, 3 clicks for high, 4 clicks to turn off, or hold for 2 seconds at any time to turn off.

Frequently asked questions

What is direct sunlight?

Direct sunlight means that the sun's light is directly hitting the solar panel. For example, if you were standing outside under the sun with nothing obstructing you and the sun, then you would be in direct sunlight. If you were standing inside, you would be getting indirect sunlight but no direct rays from the sun. Solar panels always need direct sunlight to charge. If in doubt, think of it this way; if you were Luci and you were able to directly see the sun, then you would be in direct sunlight!

It's cloudy, will my light still charge?

Yes, but it will charge at a slower rate than on a bright, clear day. As your Luci charges via the red and violet frequencies of visible light, the charge times will vary based on the UV index or overcast skies. Generally speaking, the higher the UV index, the faster the charge.

Will my light charge under indoor lighting?

The sun generates significant red and violet frequencies (which charge your Luci), whereas your ordinary indoor lights emit a tiny fraction of that UV. We recommend you go straight to the source and put your Luci directly in the sunlight from a windowsill or, for the best results, outside! Luci is durable and completely waterproof.

Can I charge your products from my car dashboard?

We advise against charging on a car dashboard. On a hot summer day, your car dashboard can reach temperatures of up to 160°F (71°C) which exceeds the temperature limit of our products - 122°F (50°C).

What's the difference between charging the light via USB or the solar panel?

Speed! Charging via USB is ~6x faster than via solar due to the input power. Whether charging via solar or USB however, the outcome remains the same - a full battery charge. Our advice is to charge via solar for a natural source of power, but if you're in a pinch, charge via USB.

Can my light be left outside in the rain?

Yes! It can be left out in the rain but we wouldn't recommend leaving it out in strong rain storms for extended periods or submerging it in water.

Can I charge a device and use my light simultaneously?

Yes, we love multi-taskers! You should be aware though, that as you're charging your device, you are depleting the battery in the light. We recommend checking the battery level of the light frequently to make sure that you have enough charge to last throughout your activity.

Are the bulbs shatterproof?

Yes, the bulbs are super durable. This product was built to live outside and take knocks, accidental stomps, or even the occasional cooler drop.

***We're here for you.** For the full list of FAQs and troubleshooting, go to mpowerd.com/faq.*

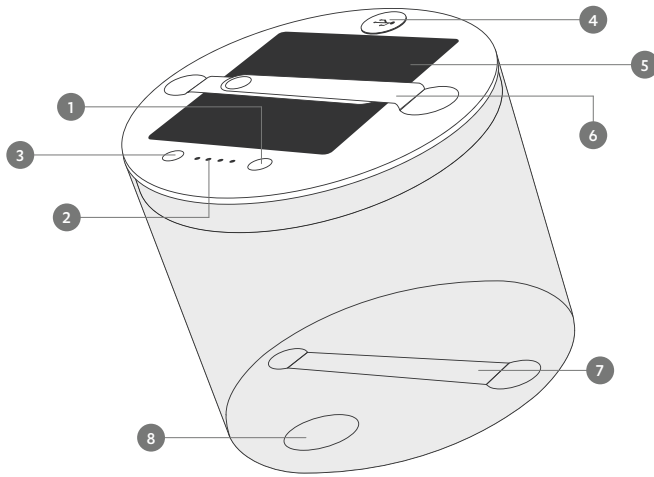
MPOWERD®

Luci® Base

Instruction
manual

MPOWERD®

Getting to know Luci



1. Power button
2. Battery level indicator
 - 1 light = 0-20%
 - 2 lights = 21-40%
 - 3 lights = 41-60%
 - 4 lights = 61-100%
3. Battery level indicator button
4. Built-in USB port
5. Solar panel
6. Adjustable base strap
7. Fixed top strap
8. 2-way valve

Charging

Charge via solar

- With solar panel side up, place in direct sunlight for up to 28 hours for a full charge.
- Press battery level indicator button at any time to check battery level. See illustration above for more info.

Charge via USB

- Insert the USB cord provided into the USB port on the base panel, and then insert the other end into a USB outlet for 5-6 hours.
- Ensure the cord is firmly in position and check that the Battery Level Indicator lights are flashing - this means it's charging.

Charging devices

- To charge your device from the light, simply insert your charging cable at the USB end into the USB port on the light, and then plug the other end of the cable into your device. Power up!

How to use

Inflate

- Firmly pinch the 2-way valve and pull away from base. This will do 50% of the inflating.
- Firmly pinch valve and blow into the nozzle until fully inflated. Push in the valve, and you're all set!

Deflate

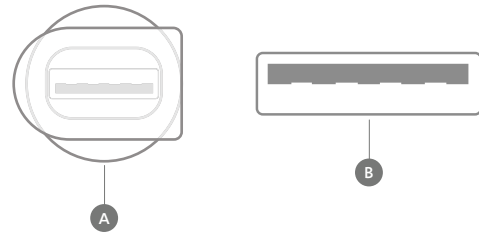
- Pull out the valve, firmly pinch valve and simultaneously collapse towards the base.
- Gently twist the light as you deflate for a flatter, more compact shape.
- Close tab on valve when fully deflated.

Shine

- Press power button to turn unit on.
- 1 click for low mode, 2 clicks for medium, 3 clicks for high, 4 clicks for flashing, 5 clicks to turn off, or hold for 2 seconds at any time to turn off.

USB Port

- A. Lift cap to reveal port
- B. Two-way USB port for charging the light, or charging your devices



Frequently asked questions

What is direct sunlight?

Direct sunlight means that the sun's light is directly hitting the solar panel. For example, if you were standing outside under the sun with nothing obstructing you and the sun, then you would be in direct sunlight. If you were standing inside, you would be getting indirect sunlight but no direct rays from the sun. Solar panels always need direct sunlight to charge. If in doubt, think of it this way; if you were Luci and you were able to directly see the sun, then you would be in direct sunlight!

It's cloudy, will my light still charge?

Yes, but it will charge at a slower rate than on a bright, clear day. As your Luci charges via the red and violet frequencies of visible light, the charge times will vary based on the UV index or overcast skies. Generally speaking, the higher the UV index, the faster the charge.

Will my light charge under indoor lighting?

The sun generates significant red and violet frequencies (which charge your Luci), whereas your ordinary indoor lights emit a tiny fraction of that UV. We recommend you go straight to the source and put your Luci directly in the sunlight from a window sill or, for the best results, outside! Luci is durable and completely waterproof.

Can I charge your products from my car dashboard?

We advise against charging on a car dashboard. On a hot summer day, your car dashboard can reach temperatures of up to 160°F (71°C) which exceeds the temperature limit of our products - 122°F (50°C).

What's the difference between charging the light via USB or the solar panel?

Speed! Charging via USB is ~6x faster than via solar due to the input power. Whether charging via solar or USB however, the outcome remains the same - a full battery charge. Our advice is to charge via solar for a natural source of power, but if you're in a pinch, charge via USB.

Can my light be left outside?

Yes! In fact, our products love being outside in the open. Luci is durable and completely waterproof. This means you don't need to go running to bring them in when it rains. Luci: 1, laundry: 0.

Can I charge a device and use my light simultaneously?

Yes, we love multi-taskers! You should be aware though, that as you're charging your device, you are depleting the battery in the light. We recommend checking the battery level of the light frequently to make sure that you have enough charge to last throughout your activity.

How much charge does my light retain when not in use?

Depending on the model, if your light is fully charged and not in use, it should retain the charge for ~3 years. An unused light will only lose ~3% battery per month. We specifically built these lights to be reliable and ready for whenever you need them!

We're here for you. For the full list of FAQs and troubleshooting, go to mpowerd.com/faq.

MPOWERD®