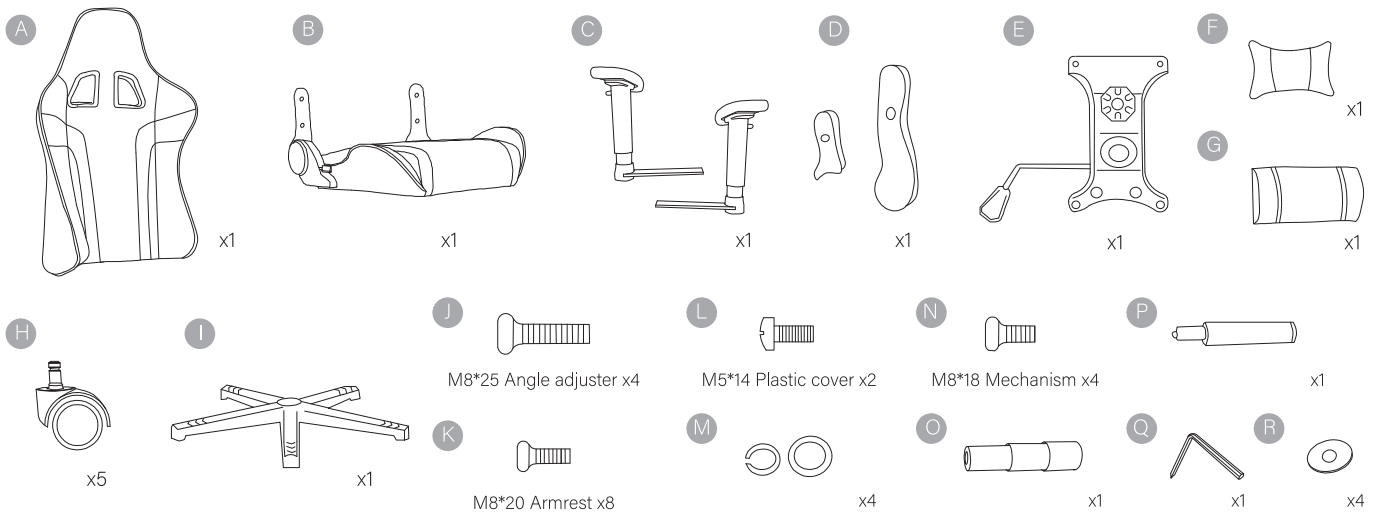


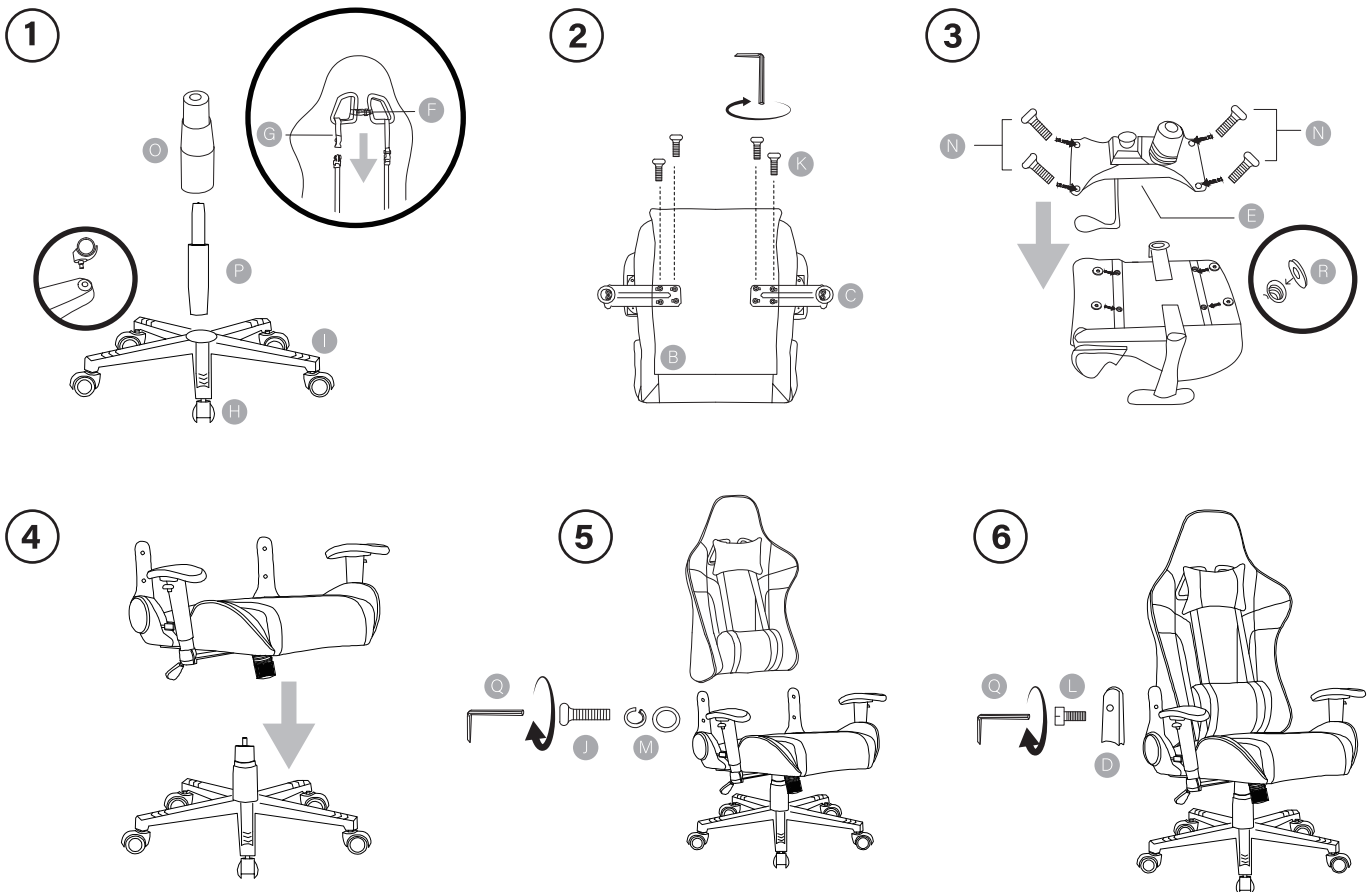
# OVERSTEEL ULTIMET SERIES

## ASSEMBLY INSTRUCTIONS

### COMPONENTS



### MOUNTING STEPS





 **OVERSTEEL**

# ULTIMET SERIES

GAMING CHAIR

NEXT GAMING GENERATION

USER MANUAL