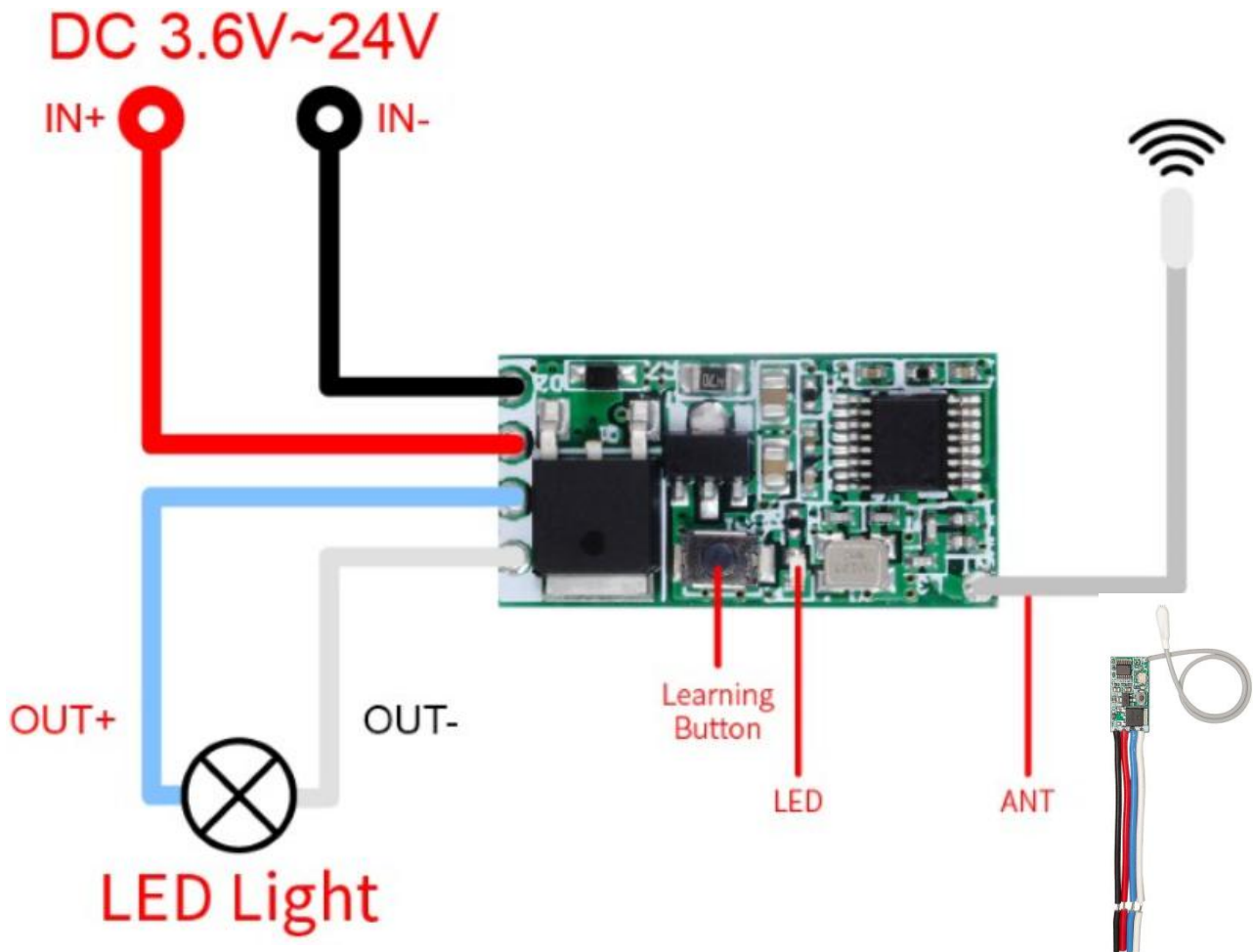


Light control module specification

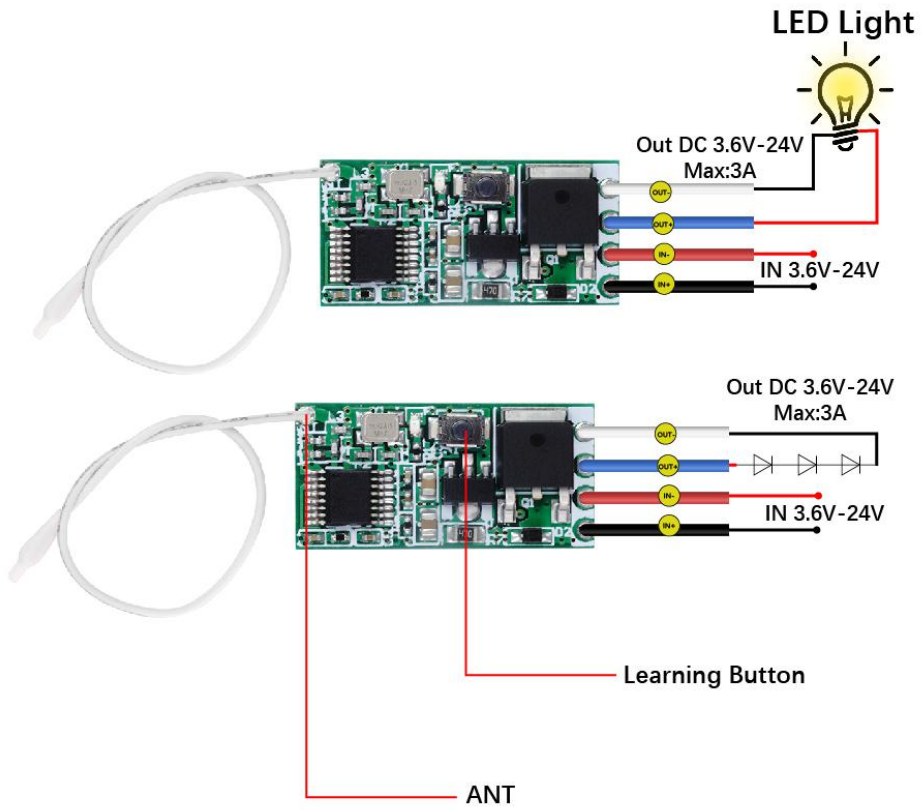
Module: QA-R-011



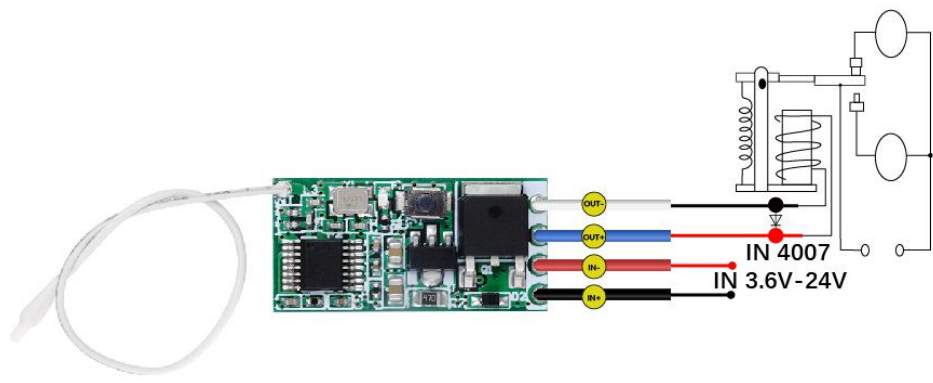
- Wireless control LED lamp string, Christmas tree light string, light control switch
- Long range working voltage
- Ultra low power,High sensitive response.

WIRING DIAGRAM

For light control



Reference diagram electromagnet



ABOUT WORKING MODE

Note:

- We would suggest you to purchase our remote control for the better working performance.
- The system can store for 5 pcs of remotes , if the remote get more than 5 pcs , the initial remote control will be lost .
- the receiver and transmitter can work together ,their frequency ,IC chip and Shock resistance must be taken in to consideration.
- If you need it to work with your own receiver, you must make sure 100% that your receiver is 433mhz Frequency,does your receiver have a learning button to learn the transmitter code? and does your receiver can be compatible with 1527 IC chip transmitter.

Clearing the code :

After push the receiver's learning button 8 times , the receiver Clear all the remote control data in its memory.

When the LED flashes for 5 few times,it indicates that the clear function is completed.

(After cleared the code in the receiver,all the remote control must study from receiver once again to restart.)

Momentary

Push the remote button , the relay connects, release the remote button , the relay dis-connects.

Toggle

Push once the remote button , the relay connects , push twice the remote button , the relay dis-connects .

Latching

Push the remote button A, the relay connects, push the remote button B, the relay dis-connect.

Time delay mode

Push the remote control button , the relay connects , from when release the remote button , after 5s or 10s or 15s or 20s , the relay disconnect automatically.

Automatic energize when power on mode

When power supply, the relay connects.

RECEIVER OPERATING MODE SETTINGS

Learning the code :(momentary)

Push the learning key on the receiver once time ,it comes into momentary setting mode .

Wait for a moment ,the LED will be on, it comes into learning state .Push the remote button , LED indicator on the receiver board will flash 3 times and then come off ,learning successfully.

Learning the code : (Toggle)

Push the learning key on the receiver twice time , it comes into toggle setting mode Wait for a moment ,the LED will be on , it comes into learning state .Push the remote button ,LED indicator on the receiver board will flash 3 times and then come off, learning successfully .

Learning the code :(Latching)

Note: When you choose for latching mode ,in order to learn more remote control ,you need to learn two different button,the first time learning is for “ON”, the second time learning for“OFF”.

For example : button A = ON , button B = OFF ,Push the learning key on the receiver triple time ,it comes into latching mode .

Wait for a moment , the LED indicator on the receiver board will be on, Push the remote button A,LED flash for 3 times .

Push the remote button B .LED indicator flash for 3 times and then come off, learning successfully .

Learning the code :(Time delay mode)

Push the learning key on the receiver forth time , the time dealy for 5 seconds .

Push the learning key on the receiver fifth time , the time delay for 10 seconds .

Push the learning key on the receiver sixth time , the time delay for 15 seconds .

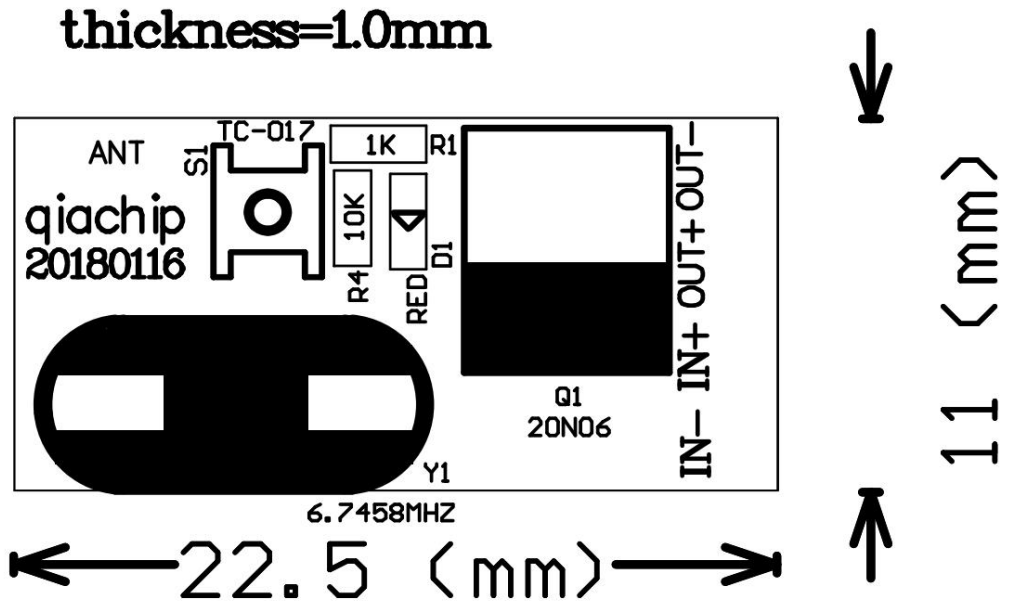
Push the learning key on the receiver seven time , the time delay for 20 seconds .

The LED indicator will be off .Push the remote button , LED flashes and off , learning successfully .

Learning the code : (Automatic energize when power)

Press and hold the remote control for 5 seconds, the receiver indicator flashes 3 times, the setting is complete.

PRODUCT PARAMETERS



Working voltage	DC 3.6V~24V
Maximum load	2A
Static current	<5 mA
Working frequency	433.92MHz
Reception sensitivity	<-108dBm
Size	25.5 mm x 13mm x 5mm (length × width × high) Mini size !
.Encoding	support coding format 1527 learning code
Modulation mode	ASK (superheterodyne)
Number of stored remote controls	≤ 5
Working mode	Momentary, Toggle, Latching, Time delay
Learning style	Learning Button
Working temperature	-20 degrees 80 degrees.