

MFC-J460DW

? FAQs & Troubleshooting

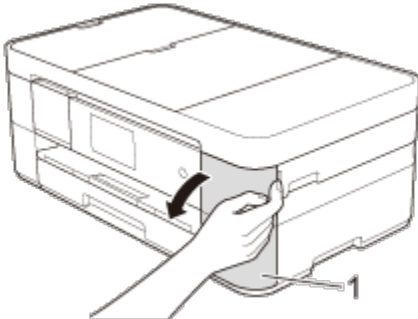
Install starter ink cartridges

Follow the steps below to install the ink cartridges:

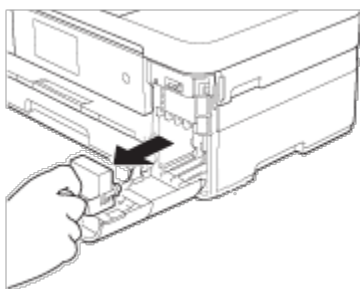
NOTE: Illustrations shown below are from a representative product, and may differ from your Brother machine.

Make sure you install the Starter Ink Cartridges or Introductory Ink Cartridges included with your machine first.

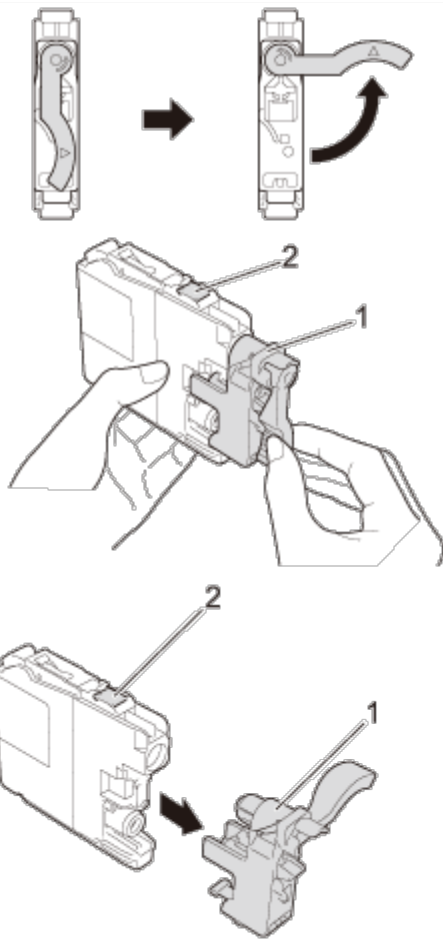
1. Make sure that the power is turned on.
2. Open the ink cartridge cover (1).



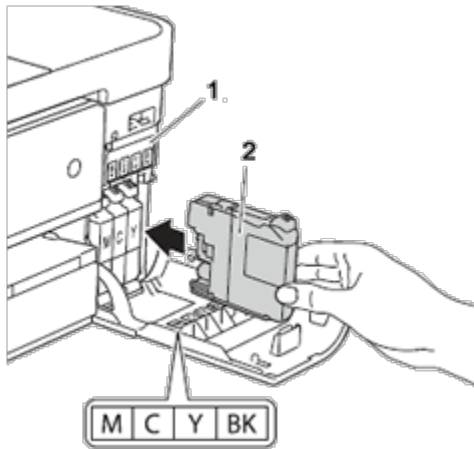
3. Remove the orange protective part.



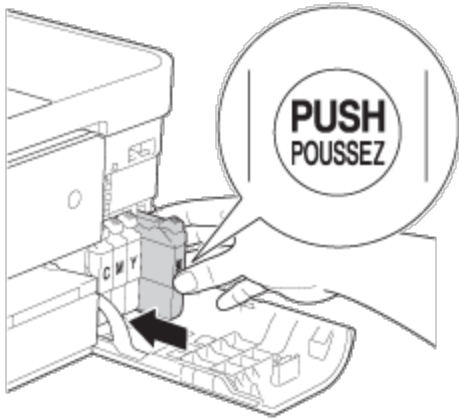
4. Unpack the ink cartridge.
Turn the green release lever on the orange protective packing (1) counterclockwise until it clicks to release the vacuum seal. Then remove the orange protective packing as shown.



5. Take care to match the sticker color (1) with the cartridge color (2) as shown in the diagram below. Install each ink cartridge in the direction of the arrow on the label.



6. Gently push the area marked "PUSH" until the ink cartridge latches. After all the ink cartridges are installed, close the ink cartridge cover.



The machine will prepare the ink tube system for printing. This process will take approximately 4-6 minutes. Do not turn off the machine.

7. When the preparation process has finished, the machine's display (hereinafter called Touchscreen or LCD) displays **Load paper and press [OK]** or **Load Paper and Press Color (Colour) Start**. Press **OK** or **Color (Colour) Start**.

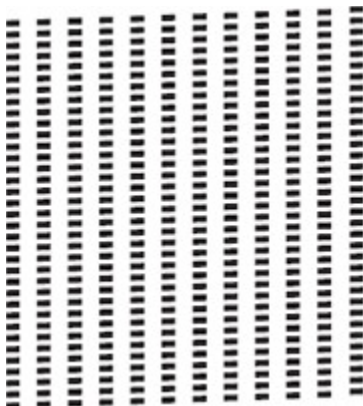
(For models with second paper tray)

Make sure there is paper in Tray #1, the upper tray, when checking the print quality.

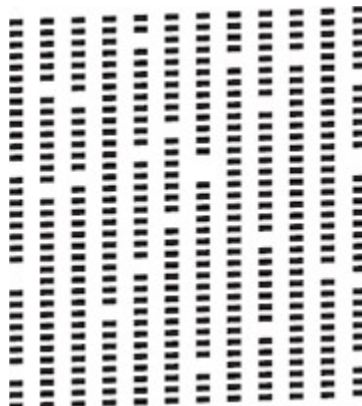
8. Check the quality of the four color blocks on the sheet. (black/yellow/cyan/magenta)

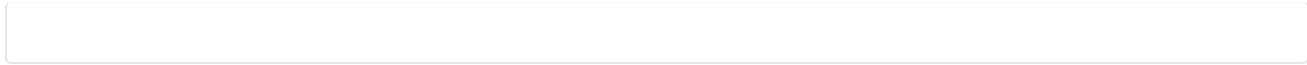
- If all lines are clear and visible, press **No** to finish the quality check or press the **Left** or **Right** arrow key to choose **No**, and then press **OK**.
- If lines are missing, press **Yes** or press the **Left** or **Right** arrow key to choose **Yes**, and then press **OK**, and follow the steps on the Touchscreen or LCD.

OK



Poor





© 2001-2017 Brother Industries, Ltd. All Rights Reserved.

Any trade names and product names of companies appearing on Brother products, related documents and any other materials are all trademarks or registered trademarks of those respective companies.

[Print](#) | [Close](#)