

User Manual of Product 1:



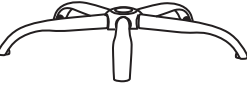
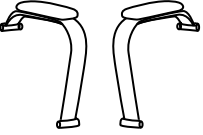



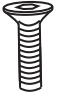
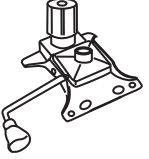
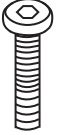



Flash Furniture Whitney Mid-Back Desk Chair - White

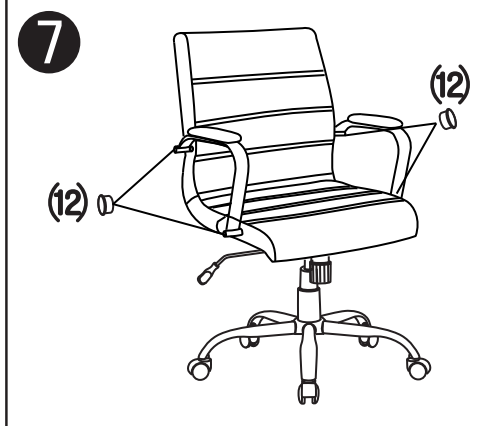
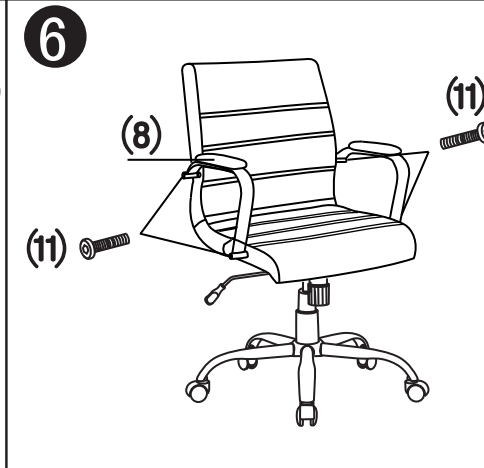
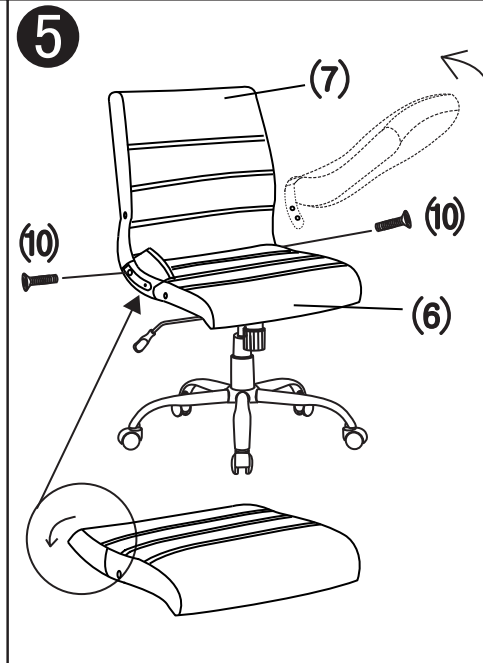
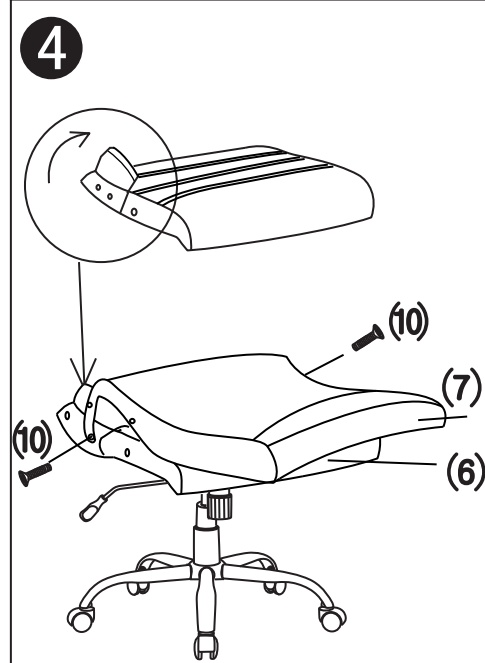
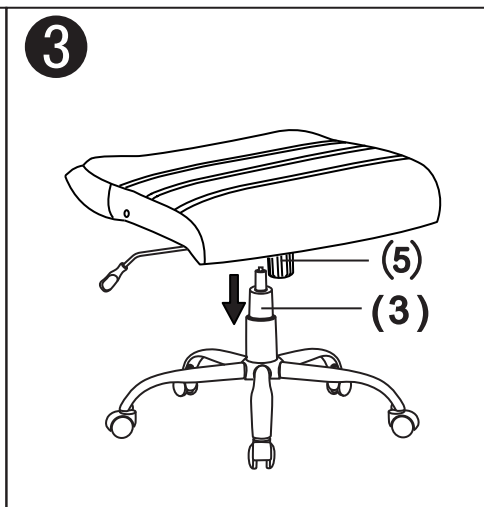
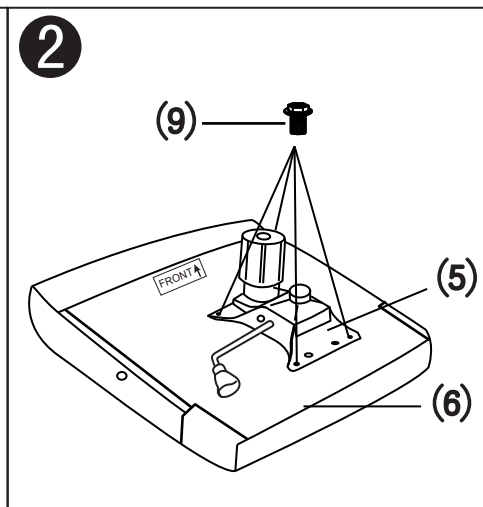
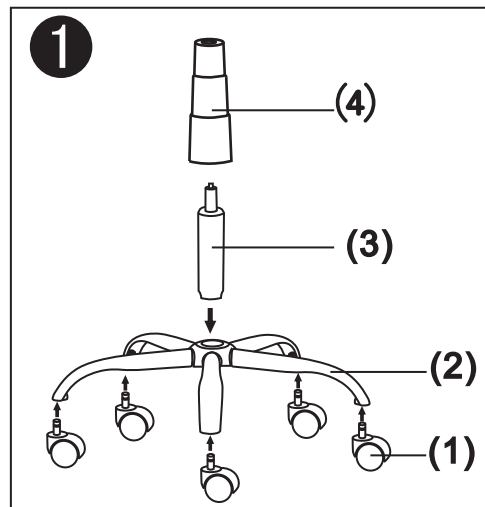
LeatherSoft Executive Swivel Office Chair with Chrome Frame -
Swivel Arm Chair

User Manual of Product 2:

Flash Furniture Whitney Mid-Back Desk Chair - Black

LeatherSoft Executive Swivel Office Chair with Chrome Frame -
Swivel Arm Chair

(1)x5 	(7)x1 	
(2)x1 	(8)x1 (L&R) 	
(3)x1 	(9)x4 	
(4)x1 	(10)x4 	
(5)x1 	(11)x4 	(12)x4 
(6)x1 	(13)x1 	



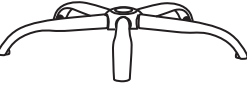
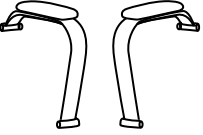



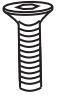
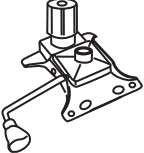
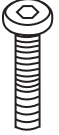





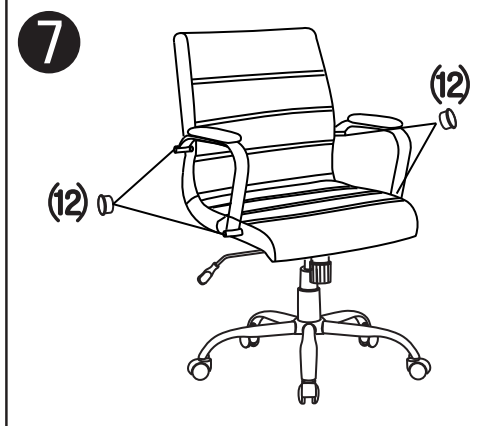
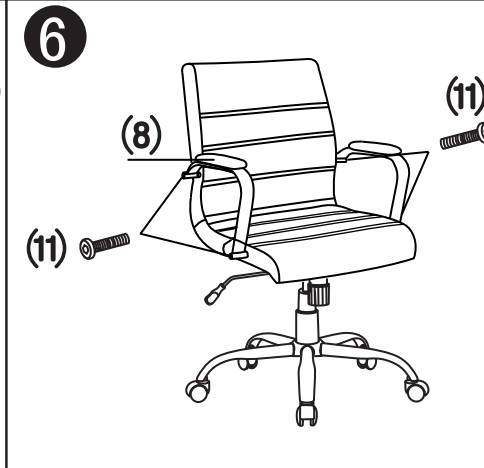
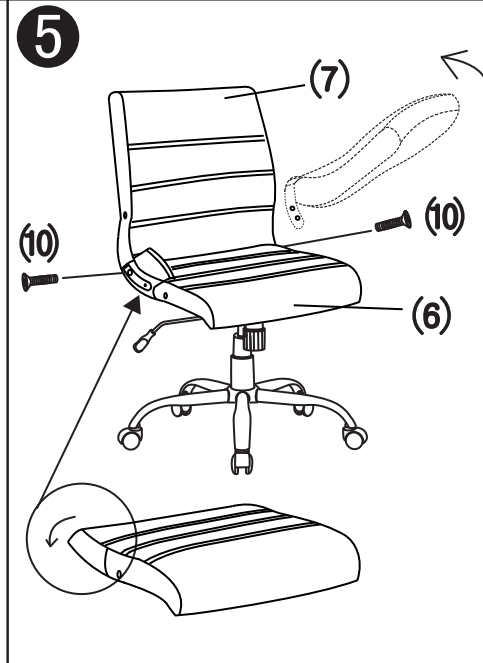
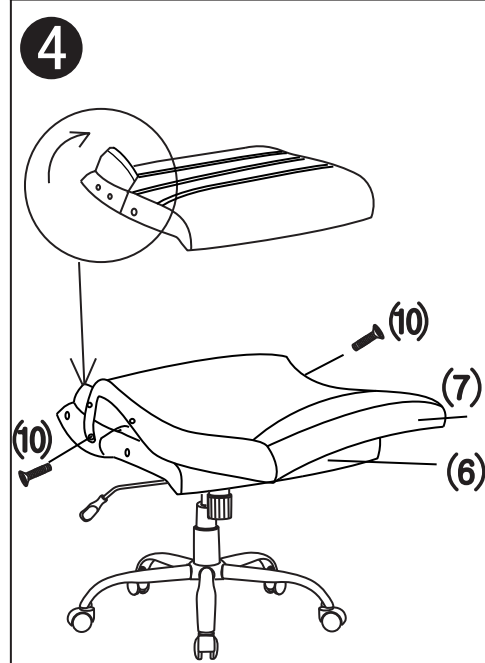
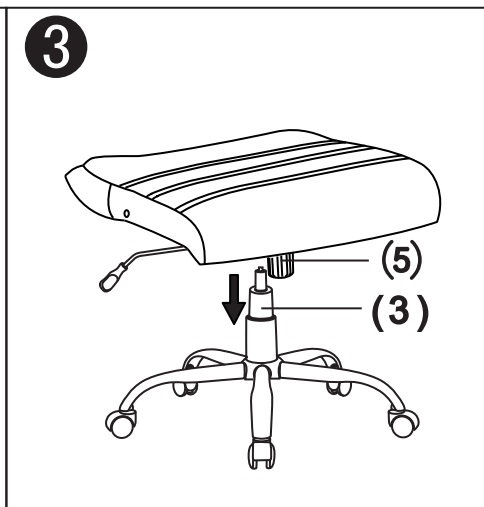
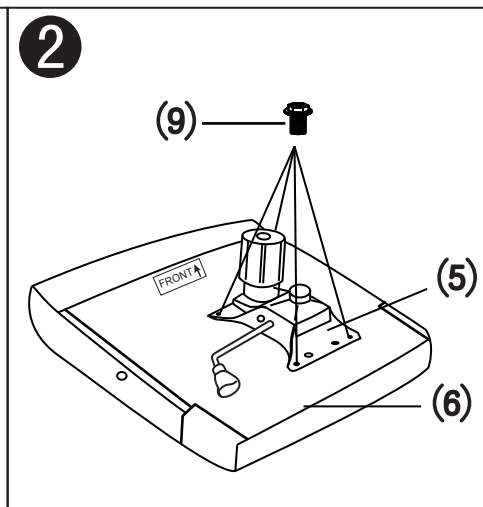
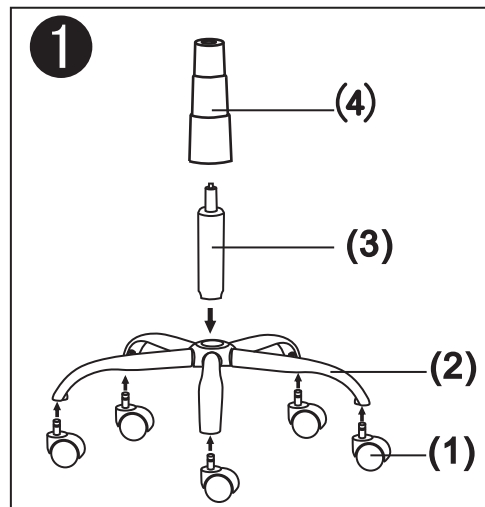
Open the Velcro on both sides of seat first, then place the Back Cushion(7) on the Seat Cushion (6),and use 2 bolts (10) to attach to the lower screw holes on Seat Cushion (6) (see diagram).

*Note:DO NOT FULLY TIGHTEN BOLTS.

Push the Back Cushion (7) up to a vertical position and attached the Seat Cushion(6) to by using 2 bolts (10), then to cover the Velcro back.

*Note: Tighten the bolts completely.

(1)x5 	(7)x1 	
(2)x1 	(8)x1 (L&R) 	
(3)x1 	(9)x4 	
(4)x1 	(10)x4 	
(5)x1 	(11)x4 	(12)x4 
(6)x1 	(13)x1 	



Open the Velcro on both sides of seat first, then place the Back Cushion(7) on the Seat Cushion (6),and use 2 bolts (10) to attach to the lower screw holes on Seat Cushion (6) (see diagram).

*Note:DO NOT FULLY TIGHTEN BOLTS.

Push the Back Cushion (7) up to a vertical position and attached the Seat Cushion(6) to by using 2 bolts (10), then to cover the Velcro back.

*Note: Tighten the bolts completely.