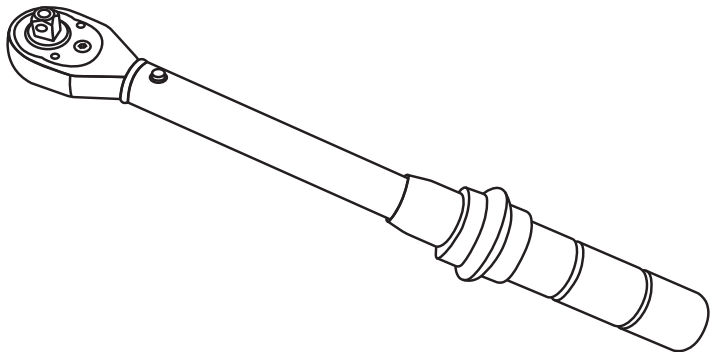


amazonbasics



1/4-Inch Drive Click Torque Wrench

Clé Dynamométrique à Cliquet 6,3 mm (1/4 pouces)

1/4 Zoll (6,3 mm) Drehmomentschlüssel

Chiave Dinamometrica a Scatto ad Avvitamento da
1/4 di Pollice (6,3 mm)

Llave Dinamométrica Drive de Disparo de 1/4 Pulgada
(6,3 mm)

1/4 Inch (6,3 mm) Drive Klik-Draaimomentsleutel

B07ST25WDG

English	3
Français	11
Deutsch	20
Italiano	29
Español	37
Nederlands	45



IMPORTANT SAFEGUARDS



Read these instructions carefully and retain them for future use. If this product is passed to a third party, then these instructions must be included.

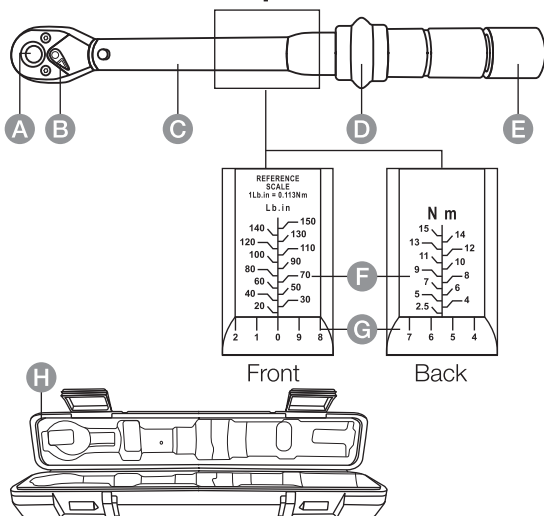
When using the product, basic safety precautions should always be followed to reduce the risk of injury including the following:

- Do not use the product to loosen bolts, screws or the like, as this might damage the ratchet and the calibrated settings.
- Do not use brute force on the product to tighten a nut/screw. During tightening apply a steady and consistent pressure. Do not use as a nut breaker, pry bar, hammer, or lever bar.
- To prevent damage to the product, stop applying pressure when the “click sound is heard. Bear in mind that the “click” sound is acoustically weaker with lower torque settings.
- The product should be re-calibrated when it has been subjected to an overload greater than its rated capacity, after repair, or after any improper handling which might influence the errors of measurement.

- Do not use worn or damaged accessories (sockets or extension pieces), as these may negatively influence the accuracy of the applied force.
- Use only within rated torque range.
- Do not use a product that has been dropped. Have it tested before putting back into use.



Product Description



- A Square drive
- B Direction switch for ratchet function
- C Spanner shaft
- D Lock ring
- E Handle
- F Coarse adjustment scale (**Lb.in / N m**)
- G Fine adjustment scale
- H Storage box

Intended Use

- This product is intended to apply a specific torque force to a fastener such as a nut or bolt.
- This product is intended for household use only. It is not intended for commercial use.
- No liability will be accepted for damages resulting from improper use or non-compliance with these instructions.





Before First Use

⚠ DANGER Risk of suffocation! Keep any packaging materials away from children – these materials are a potential source of danger, e.g. suffocation.

- Check the product for transport damages.
- Remove all the packing materials.



Operation

Setting the torque

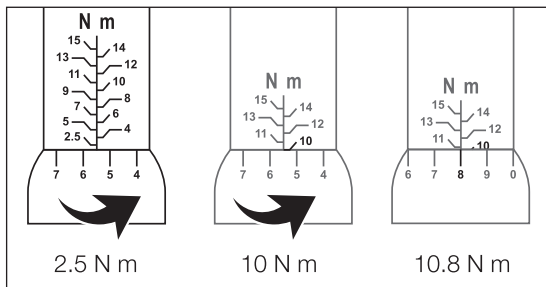
This product is a dual-range torque wrench marked with pound inch (**Lb.in**) and Newton meters (N m) on opposite sides of spanner shaft (C).

NOTICE The desired torque force is summed up by finding the largest possible value in the coarse scale (F) that is within the desired torque force to be applied. Use the fine adjustment scale (G) to reach the desired value accurately.

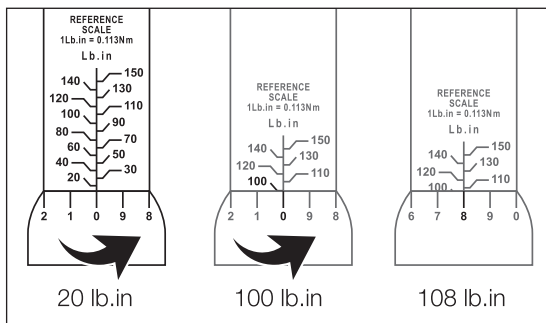
- Pull the lock ring (D) downwards to unlock and hold down while setting the torque value.
- Turn the handle (E) clockwise to increase the torque and in anti-clockwise direction to decrease the torque. The coarse and fine scale (F, G) show the torque value.

- The precise value is set by additional turning of the handle. The number on the fine adjustments scale at the vertical line is the added torque to the value of the selected torque margin.
- Push the lock ring (D) upwards to lock.

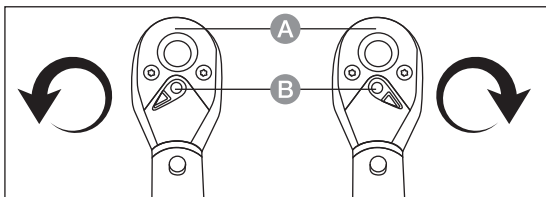
Example: Setting the torque to 10.8 N m



Example: Setting the torque to 108 lb.in



Tightening



- Fit an extension (not included) if required to the head (A).
- Set ratchet function direction on the direction changer (B).
- Install properly sized socket/attachment to the square drive (A).
- Set the direction switch (B) to tighten position.
- Operate the torque wrench the same as a standard socket wrench to tighten the bolt/nut.
- Place the socket on bolt/nut and tighten slowly and steadily until the “click” sound is heard. Stop pulling the wrench and release the pressure on the handle (E). The bolt/nut is now tightened to the required torque setting.
- Do not continue to pull after the torque setting is reached. Doing so will over-tighten the bolt/nut and could damage the wrench.



Maintenance

- The product is lubricated for life and should not be oiled. The only exception is the ratchet mechanism which may be lubricated as needed for smooth operation.

NOTICE This product is a precision measuring instrument. Calibration must be done regularly to ensure accuracy. It is recommend to re-calibrate the product no later than 10,000 cycles or 12 months after the date it is put in service, whichever comes first.

Storage

- This product is a precision instrument and should be stored with care using provided storage box. Avoid any vibrations and shocks.
- Set the torque to the lowest level before storage.

Specifications

Maximum torque value:	20 – 150 lb.in (2.5 – 15 N m)
Accuracy:	+/-3 %
Net weight:	approx. 13.7 oz (390 g)
Dimensions (W x H x D):	approx. 10 x 1.3 x 1.3" (25.4 x 3.4 x 3.4 cm)





Feedback and Help

Love it? Hate it? Let us know with a customer review.

AmazonBasics is committed to delivering customer-driven products that live up to your high standards. We encourage you to write a review sharing your experiences with the product.



US: amazon.com/review/review-your-purchases#

UK: amazon.co.uk/review/review-your-purchases#



US: amazon.com/gp/help/customer/contact-us

UK: amazon.co.uk/gp/help/customer/contact-us

amazonbasics

amazon.com/AmazonBasics

MADE IN CHINA
FABRIQUÉ EN CHINE
HERGESTELLT IN CHINA
PRODOTTO IN CINA
HECHO EN CHINA
GEMAAKT IN CHINA

V01-10/19