

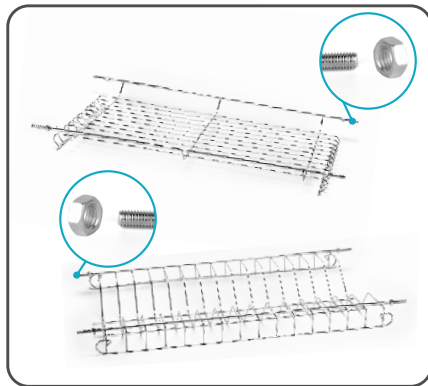
Dish Rack Installation Manuals

** We stand behind our products and always here to help. If you have any questions, please feel free to contact us via [Amazon Buyer-Seller Messaging](#).

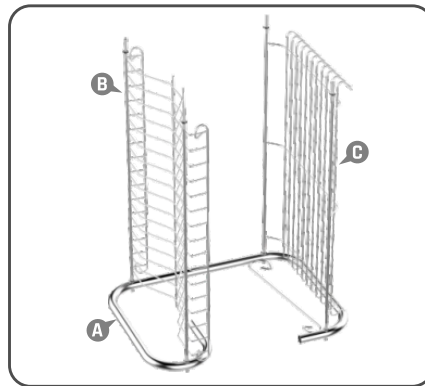
Accessories



Installation Guide



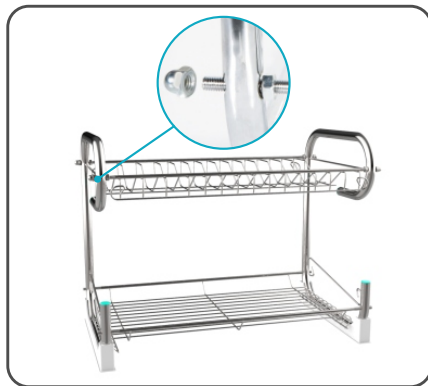
Step 1: Screwing the 8 G-screws into B-Cup Bowls Rack and C-Plate Rack.



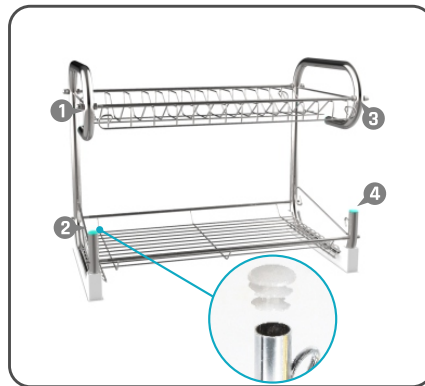
Step 2: Put 1 side frame on the ground, insert the B and C rack onto it



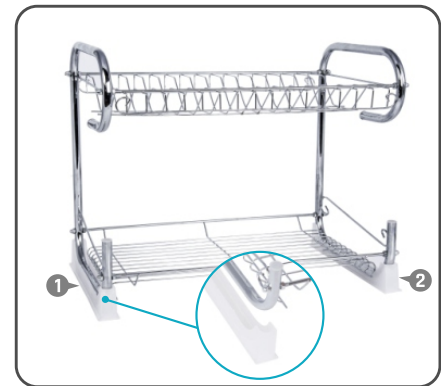
Step 3: Put another side frame onto B and C rack, screwing the H-screw nuts into the B and C rack's ends, then tighten G and H screws both side with K-wrench to secure top side frame firmly.



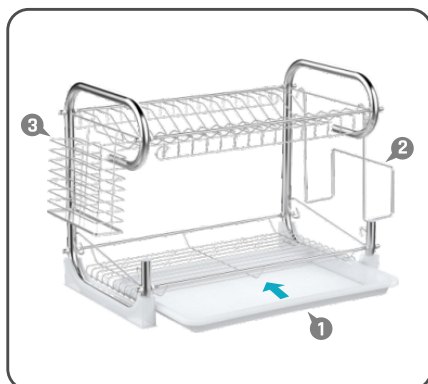
Step 4: The whole rack upright and follow the step 3 to screwing the other side frame



Step 5: Tuck in the I-Tube Caps into the tube ends.



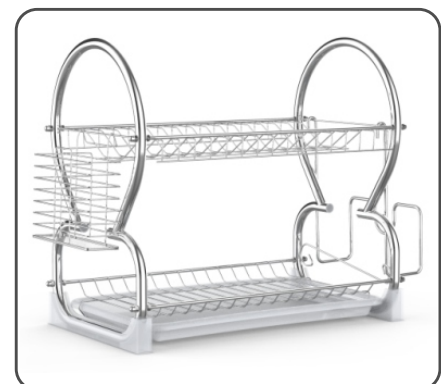
Step 6: Insert the 2 Plastic Bases into 2 bottom tubes.



Step 7: Push D-Water Tray into the Brack bottom, then hanging the E-Cutting Board Basket and F-Cutlery Basket on hanging bars both sides. Done!



This manual is a generic version, it also fits this model



This manual is a generic version, it also fits this model