

Over the Door Broom Holder

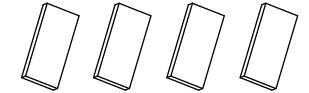
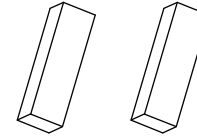
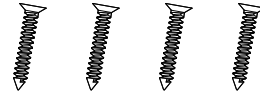
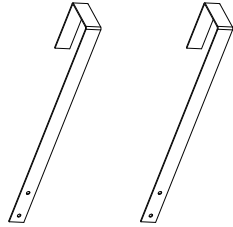
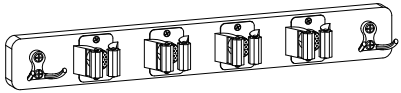
Base Plate *1

Hanging Rod *2

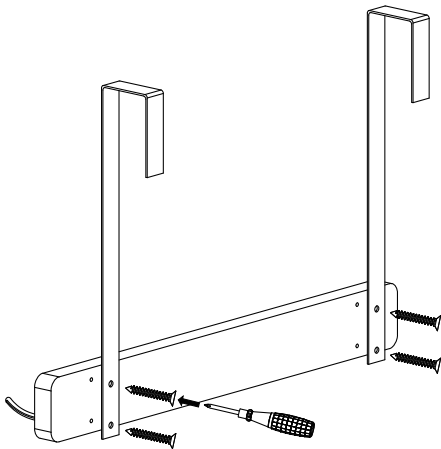
Screw *4

EVA Spacers * 2
(for door thickness adjustment)

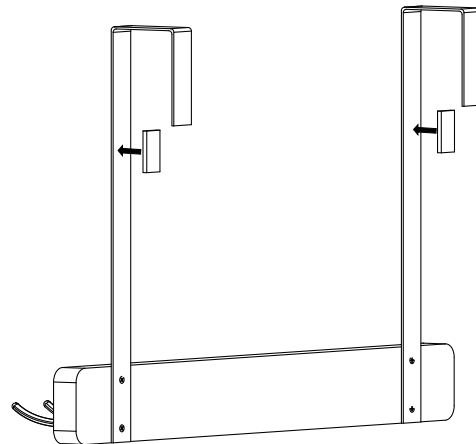
Anti-Scratch Pad *4



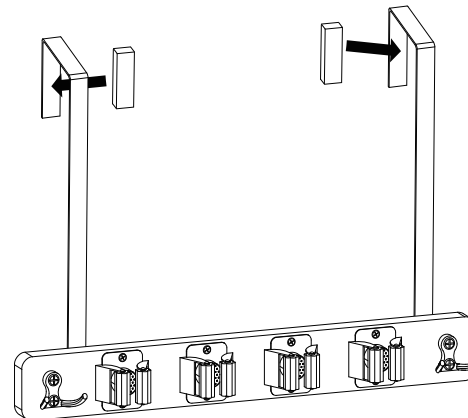
1. Attach the rods to the base plate with screws.



2. Use the included pads to reduce noise.



3. If the door is thinner than 1.9" use EVA pads to fill the gap and prevent wobbling.



4. Finished!

