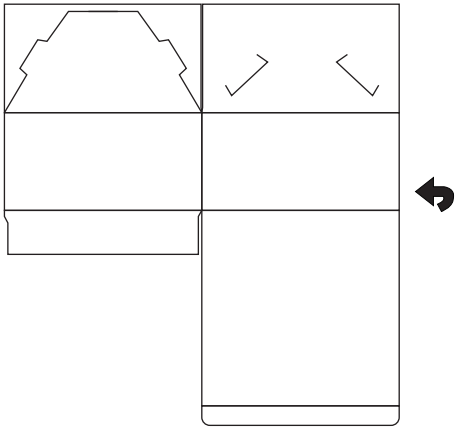
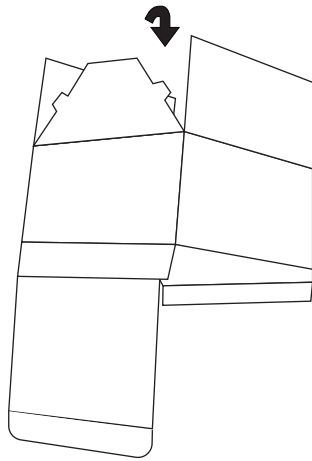


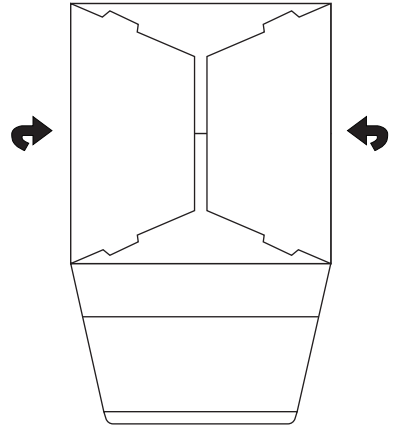
● INSTALLATION STEPS:



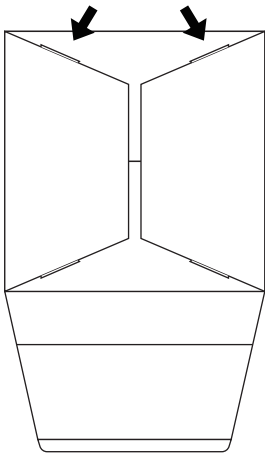
Step 1



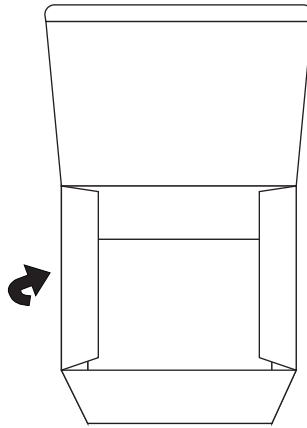
Step 2



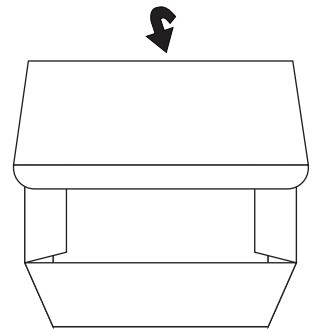
Step 3



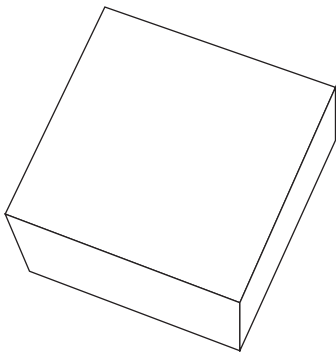
Step 4



Step 5



Step 6



Step 7

● MATTERS NEEDING ATTENTION :



- 1.NO inflammable and explosive products
- 2.NO sharp objects, such as knives
- 3.NO liquid