

maydolly

PRODUCT MANUAL



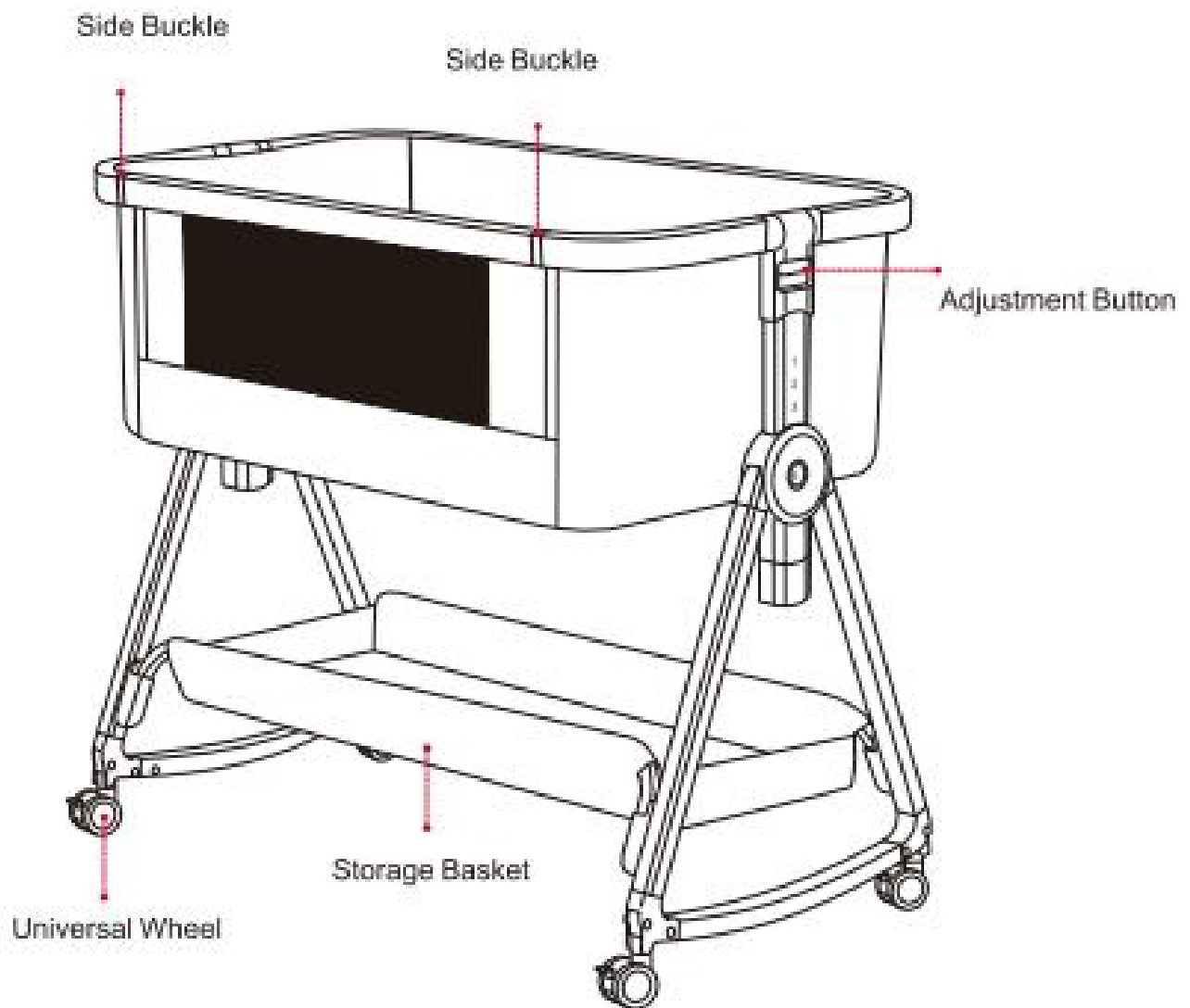
PRODUCT MANUAL

PRODUCT NAME: BABY BEDSIDE CRIB

ITEM NO.: C03plus

MADE IN CHINA

ACCESSORIES



• SPECIAL STATEMENTS

The illustrations in this manual in order to indicate the operation method of the product and product structure, physical and figure. When there is a small difference between the actual object and the picture, please refer to the actual object.

WARNING


Failure to follow these warnings and the instructions could result in death or serious injury.

SUFFOCATION HAZARD

Babies have suffocated:

- On pillows, comforters and extra padding.
- In gaps between a wrong size mattress, or extrapadding and product sides.
- **NEVER** add soft bedding or padding.
- Use **ONLY** mattress provided by manufacturer.
- Always place baby on back to sleep to reduce the risk of SIDS and suffocation.
- If a sheet is used with the mattress, use only the one provided by the product manufacturer or one specifically designed to fit the dimension of the product mattress.

WARNING

 **WARNING**—Failure to follow these warnings and the instructions could result in serious injury or death.

FALL HAZARD—To help prevent falls, do not use this product when the infant begins to push up on hands and knees or has reached 20lb, whichever comes first.

SUFFOCATION HAZARD

Infants have suffocated:

- In gaps between extra padding and side of the bassinet/ cradle, and
- On soft bedding

Use only the pad provided by manufacturer.
NEVER add a pillow, comforter, or another mattress for padding.

To reduce the risk of **SIDS**, pediatricians recommend healthy infants be placed on their backs to sleep, unless otherwise advised by your physician.

If a sheet is used with the mattress, use only the one provided by the bassinet or cradle manufacturer or one specifically designed to fit the dimension of the bassinet or cradle mattress.

IMPORTANT SAFETY INFORMATION

IMPORTANT!

READ CAREFULLY AND KEEP FOR FUTURE REFERENCE

1. **WARNING:** Read all instructions before assembling and using the product.
2. **WARNING:** Stop using the product as soon as the child can sit or kneel or pull itself up.
3. **WARNING:** Placing additional items in the product may cause suffocation.
4. **WARNING:** Do not place the product close to another product, which could present a danger of suffocation or strangulation, e.g. strings blind/curtain cords, etc.
5. **WARNING:** Should be placed on a horizontal floor; Young children should not be allowed to play unsupervised in the vicinity of the crib.
6. **WARNING:** The crib should be locked in the fixed position when the child is left unattended.
7. **WARNING:** Be aware of the risk of burning cigarettes, open fires and other sources of strong heat, such as electric bar fires, gas fires, etc. In the near vicinity of the crib.
8. **WARNING:** DO NOT use crib if any parts are missing, damaged, or broken. Contact manufacture for replacement parts and instructional literature if needed. DO NOT substitute parts.
9. **WARNING:** To avoid hazards from the child's neck being caught on the top rail on the side that is next to the adult bed, the top rail must not be higher than the adult bed mattress; **DANGER!:** Always completely raise the drop side when not attached to the adult's bed.
10. **WARNING:** To avoid the risk of your child being strangled the attachment system to the adult's bed shall always be kept away from and out of the crib.
11. **WARNING:** Entrapment Hazard - To prevent death from entrapment, bedside sleeper must be properly secured to adult bed using the attachment straps.

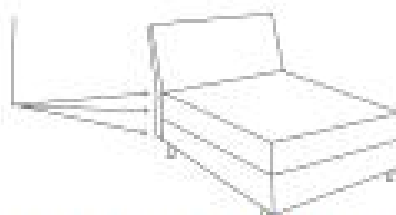
- a) There must be no more than ½in. (13 mm) gap between bedside sleeper and adult bed.
 - b) Check tightness before each use by pulling bedside sleeper in a direction away from adult bed.
 - c) If gap exceeds ½ in. (13 mm), DO NOT use product. Do not fill the gap with pillows, blankets or other items that are suffocation hazards.
12. **WARNING:** Failure to follow these warnings and the instructions could result in serious injury or death. Always follow assembly instructions for each product use mode (bedside sleeper & crib).
13. **WARNING:** Always use ALL required parts for each use mode. Check instruction manual for a list of required parts. Periodically check product for loose, damaged, or missing parts.
14. **WARNING:** Always read and follow assembly instructions for each product use mode (bedside sleeper & crib). Assemble product according to manufacturer's instructions for ANY use mode bedside sleeper as well as the crib modes.
15. **WARNING:** Do not use more than one mattress in the product.
16. All assembly fittings should always be tightened properly and that care should be taken that no screws are loose, because a child could trap parts of the body or clothing (e.g. strings, necklaces, ribbons for babies' dummies, etc.), which would pose a risk of strangulation.
17. The thickness of mattress shall not more than 12 inch.
18. Always ensure the bedside base is in a horizontal position.
19. DO NOT use bedside sleeper if any parts are missing, damaged, or broken. Contact (Maydolly LLC) for replacement parts and instructional literature if needed. DO NOT substitute parts.
20. **WARNING -** Only use the mattress sold with this crib, do not add a second mattress on this one, suffocation hazards.
21. This bedside sleeper is designed for use only with adult beds that are between 20 and 25 inch inches from floor to top of adult mattress.
23. The attachment system shall be provided and the user shall not use other attachment system;

24. A bedside sleeper is designed to provide a sleeping area for an infant until he or she begins to push up on hands and knees or approximately 5 months of age. Move your child to another sleeping product when your child reaches this stage.

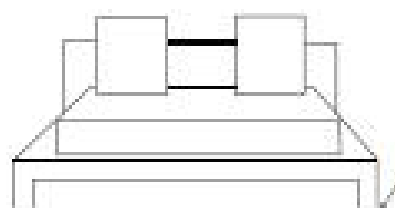
25. Strings can cause strangulation! Do not place items with a string around a child's neck, such as hood strings or pacifier cords. Do not suspend strings over a bassinet or cradle or attach strings to toys.

26. **WARNING** - Do not use this product without reading the instructions first. "DANGER!" saying that the bedside sleeper, when not attached to the adult's bed, shall have all its sides in place and/or in their highest position.

Mattress, Boxsprings & Frame aligned



ACCEPTABLE BED FRAME IN-LINE

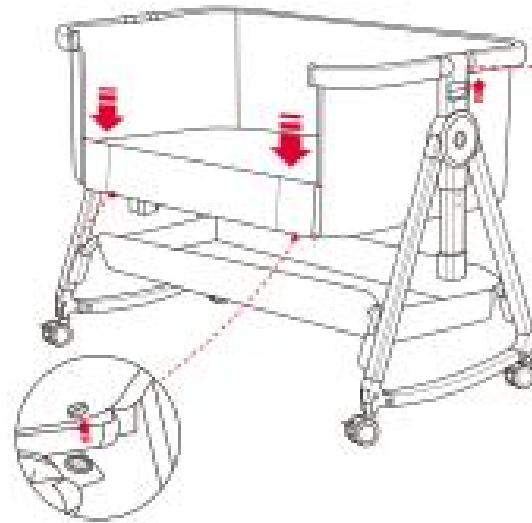
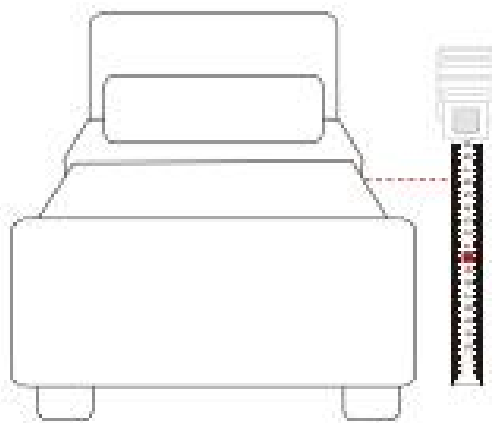


Frame Extended

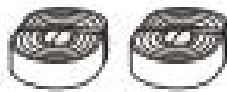
UNACCEPTABLE BED,
MATTRES, BOXSPRING & FRAME NOT IN-LINE



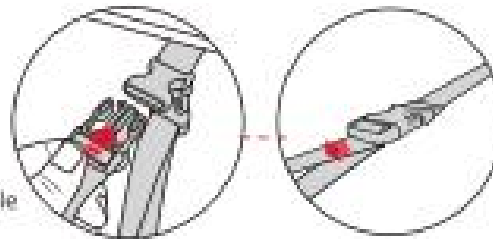
WARNING



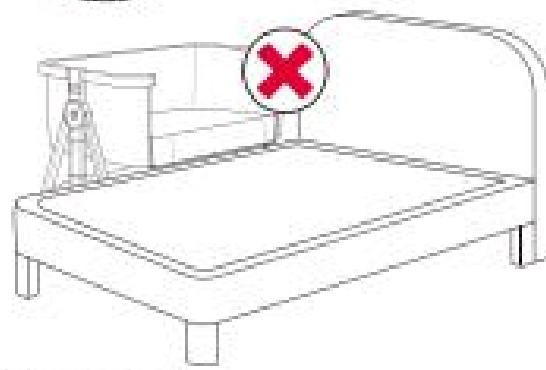
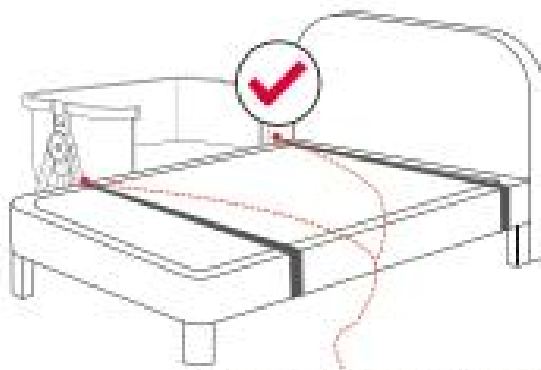
1. Place the bedside crib in a suitable position next to the bed and step on the four wheels brakes.
2. Adjust the height to be level with the bed.



fixing belt



Bottom buckle



When using the fixed belt, it must be at the same height as the bed board

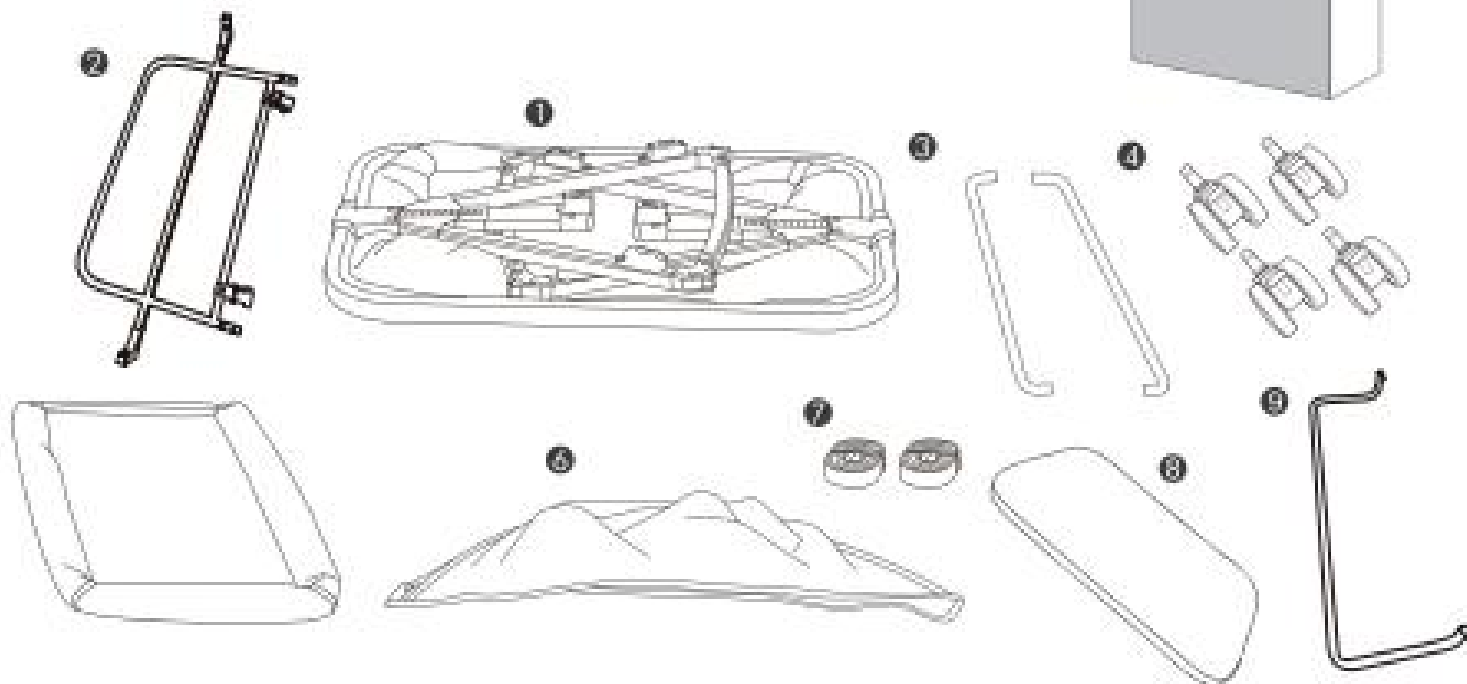
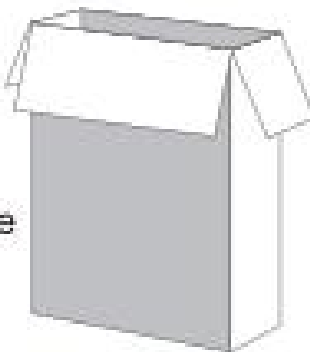


WARNING

To avoid death from the infant's neck being caught on the top rail on the side that is next to the adult bed, the top rail must be no higher than the adult mattress. ALWAYS raise the side when not fastened to the adult bed.

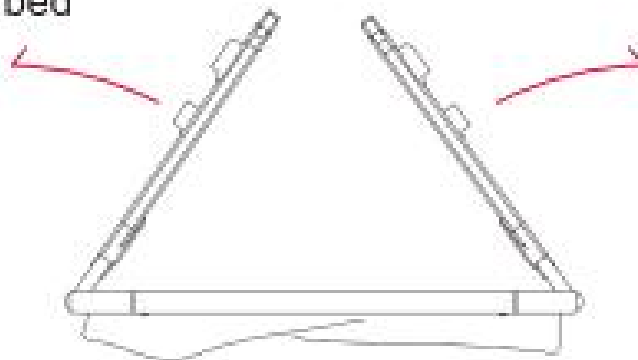
Open The Carton

Open the carton and take out 1. Bed frame 2. Bottom tube 3. Basket trusteeship 4. Wheels 5. Storage basket 6. Mosquito net 7. Fixing belt 8. Sleeping pad. 9. Bottom tube

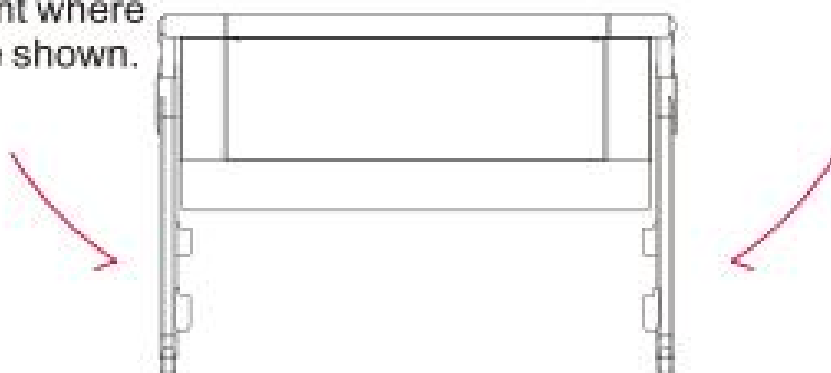


Unfold the bed frame

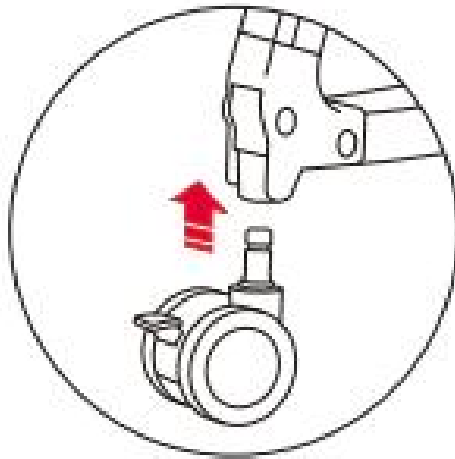
1. Please turn the foot tube in the bed frame to the outside.



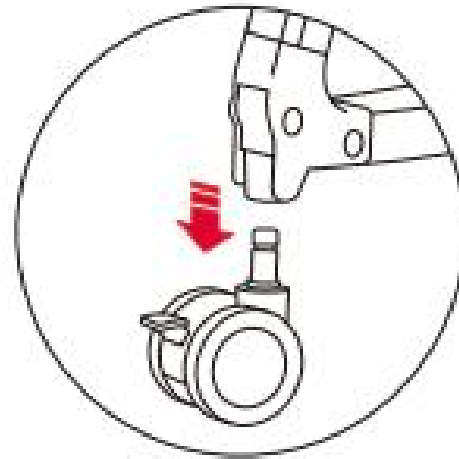
2. Turn the foot tube to the point where it is vertically stand, as picture shown.



Wheel installation/disassembly



Wheel installation

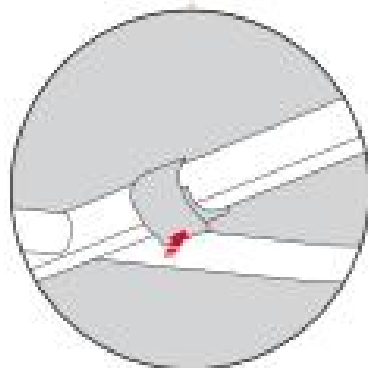
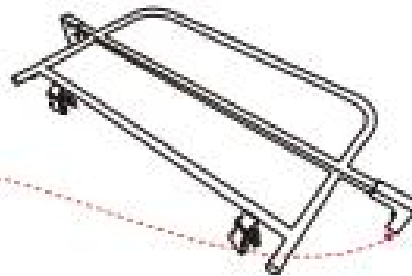
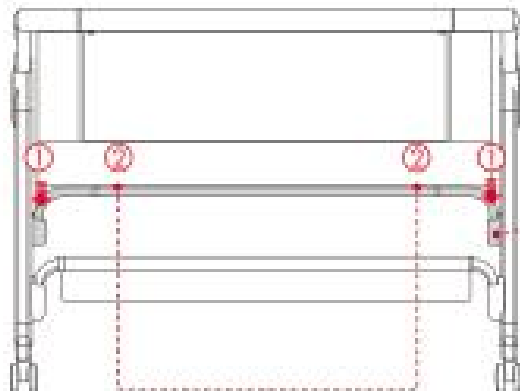


Wheel disassembly

Wheel installation: The four universal wheels on the side bed of the baby bed are inserted into the supporting feet to complete the installation.

Wheel disassembly: The four universal wheels on the side of the crib are drawn downward to disassemble the universal wheels.

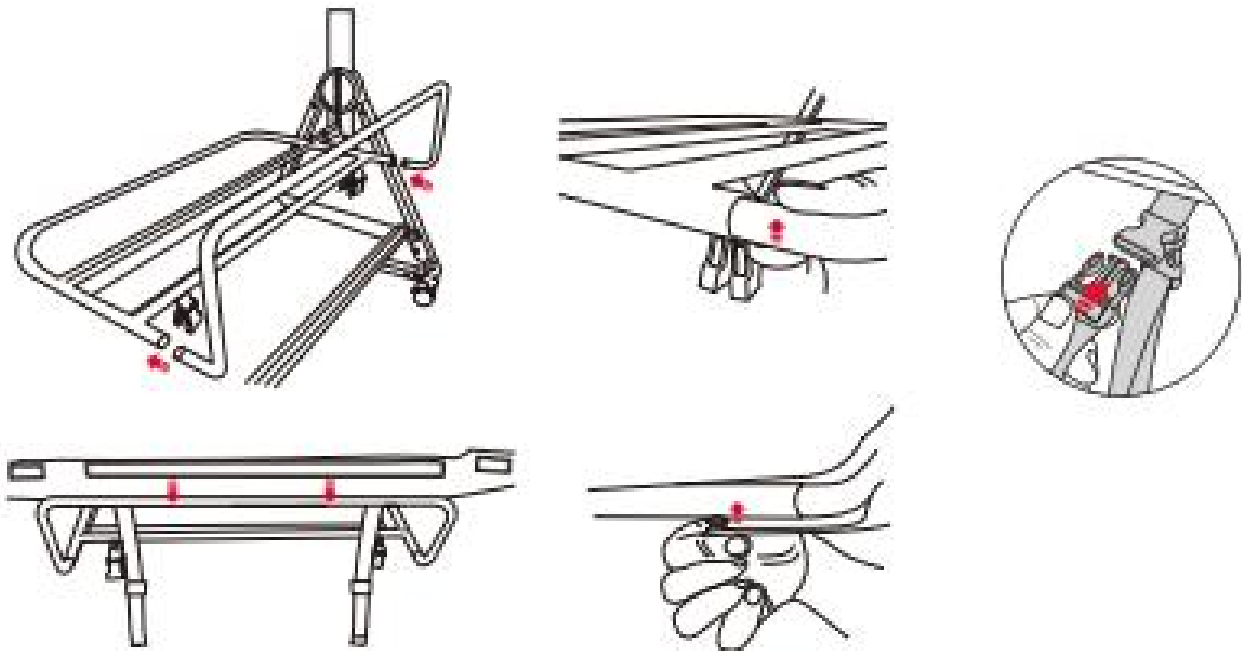
Install the bottom bracket



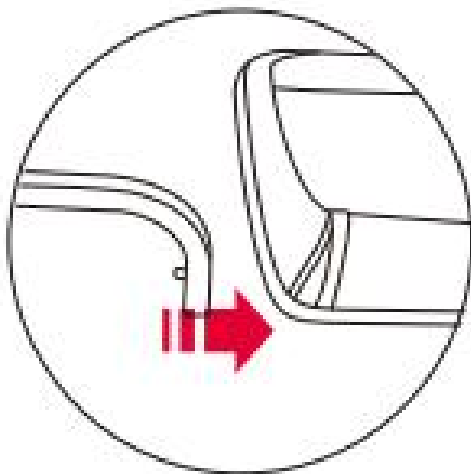
1. Place the two feet of the bottom bracket to the hole on the foot tubes, under the height adjustment rods. A "click" sound indicating they are locked into place.
2. Align the second bottom bracket with the two holes, press the dome with your hand, and assemble it with the other bracket.
3. After feet are installed, fix the buckles on the two sides to the middle rod.

4. Snap the two brackets into the bed cover, attach the Velcro to fix the bed cover, and close the button on the bed cover.

5. Fasten the buckles at both ends and fasten the seat belt.



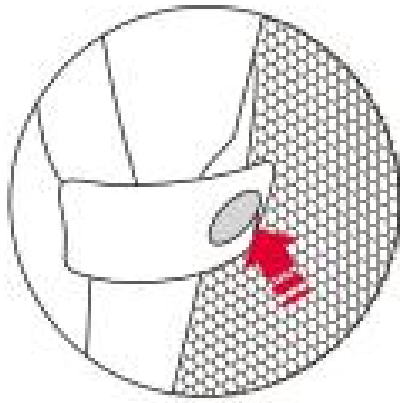
Installing the storage basket



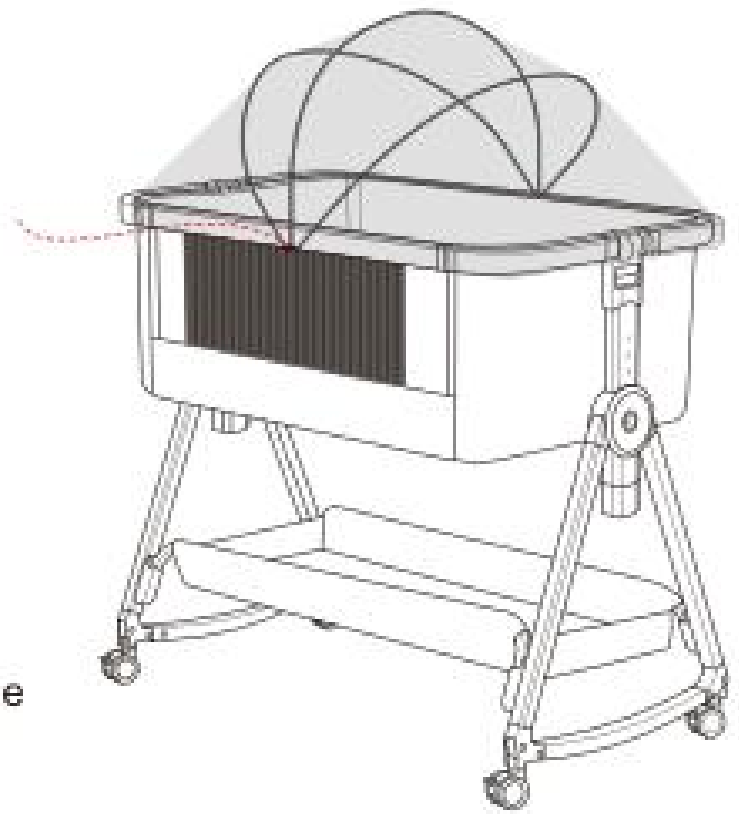
1. Two basket crossbars can be inserted into the basket.

2. As picture shown: Insert the baskets into foot tubes separately. A "click" sound indicating they are locked into place.

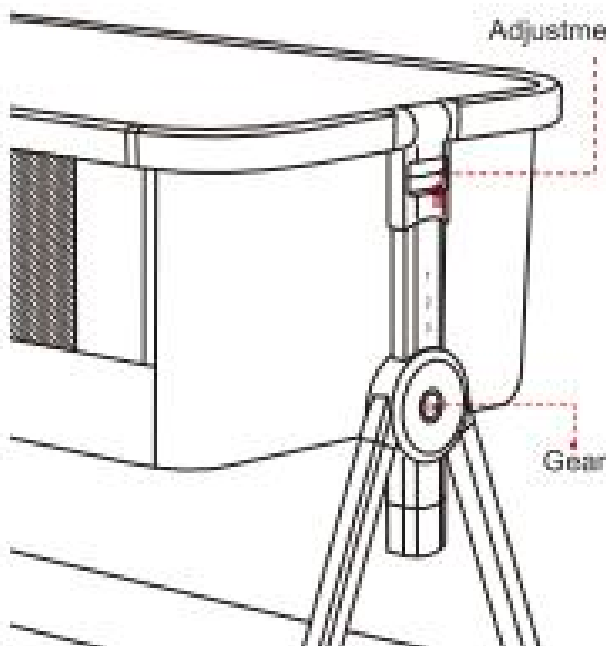
Installing Mosquito net



As picture shown: fasten the buttons on both sides of the mosquito net to inside of the bed frame, then cover the mosquito net to both ends of bedrail.



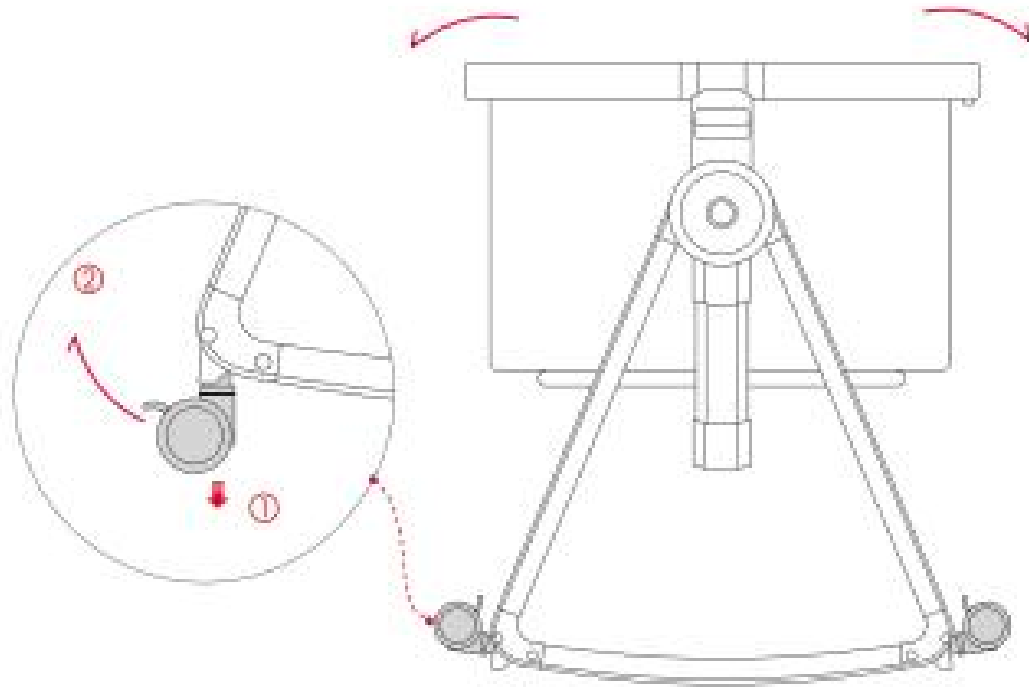
Height Adjustment



1. Press the adjustment button and adjust height on 6 gear positions.
2. The number marking on the hole shows the gear position.

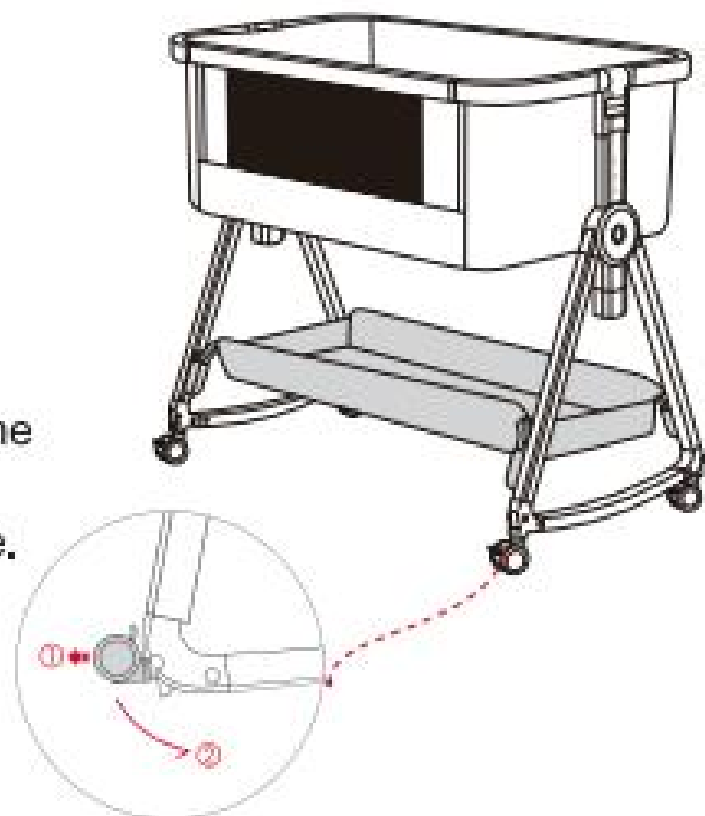
WARNING

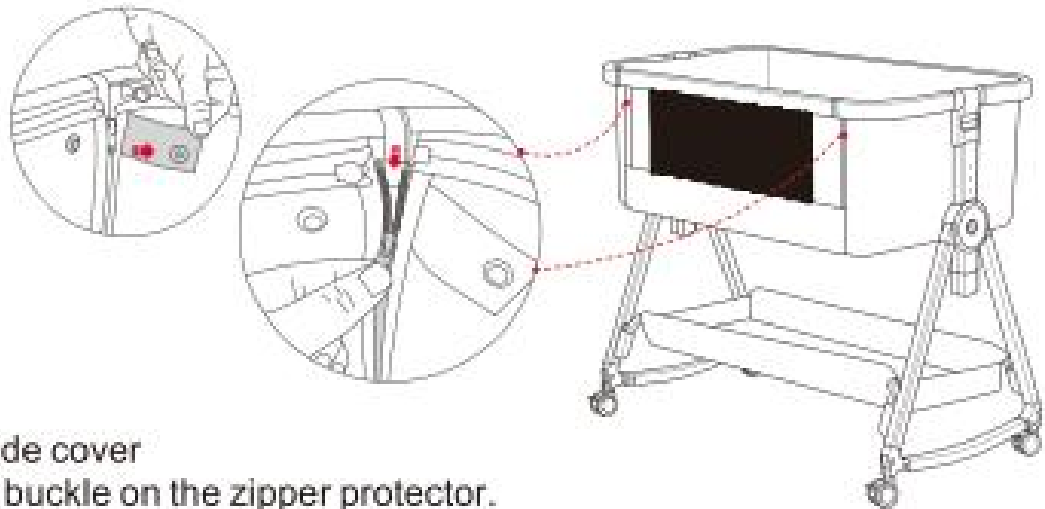
The height difference between the head end and foot end of your crib should be no more than 2 in. (5cm).



Pull down the four universal wheels on the bedside crib then push them upwards, and the bedside crib switch to the cradle mode.

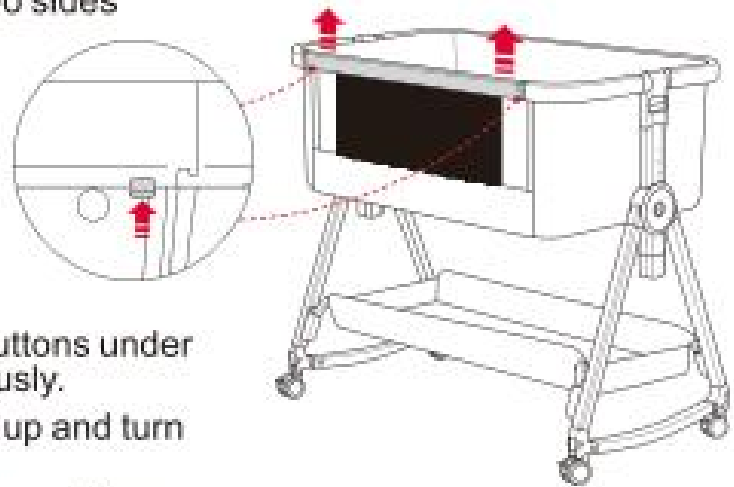
Pull down the four universal wheels on the bedside crib and push them down, then switch the cradle mode to bassinet mode.





Detach the side cover

1. Detach the buckle on the zipper protector.
2. Unzip the two zippers on two sides



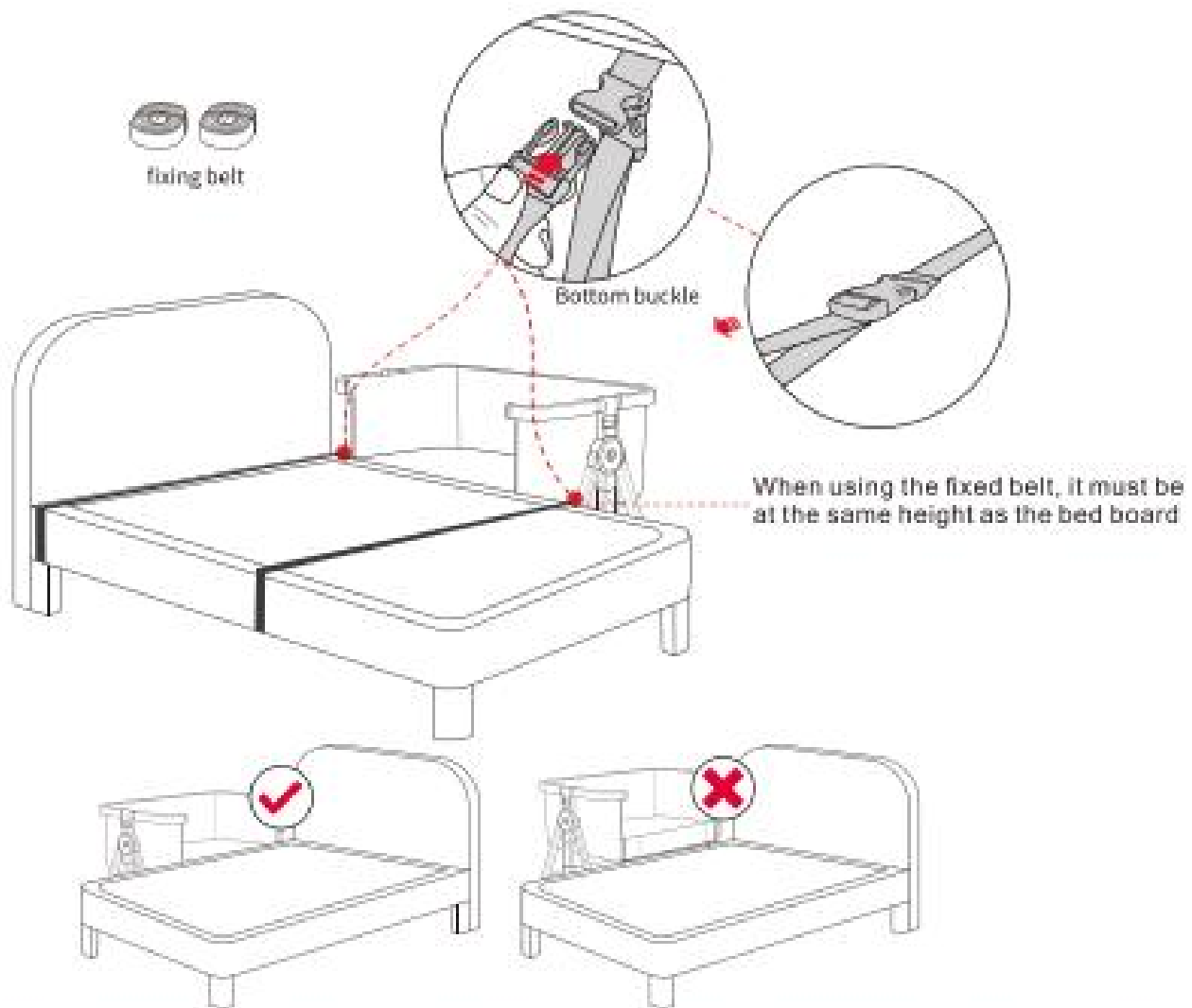
Open the side frame

1. Press the two detach buttons under the side frame synchronously.
2. Lift the detached frame up and turn it downward.
3. After the side frame is turned down, please fasten the fixing belt and buckles on the bottom then finish.



! WARNING

1. Read all instructions before assembling and using the product.
2. A bedside sleeper is designed to provide a sleeping area for an infant until he or she begins to push up on hands and knees or approximately 5 months of age. Move your child to another sleeping product when your child reaches this stage.



1. Place the bedside crib in a suitable position next to the bed and step on the four wheels brakes.
2. Adjust the height to be level with the bed.
3. Take out the fixing belt.
4. There are two connecting buckles on the bottom frame of bedside crib. Please tie the bed with fixing belt and fasten the buckles and make sure they are secured.

WARNING

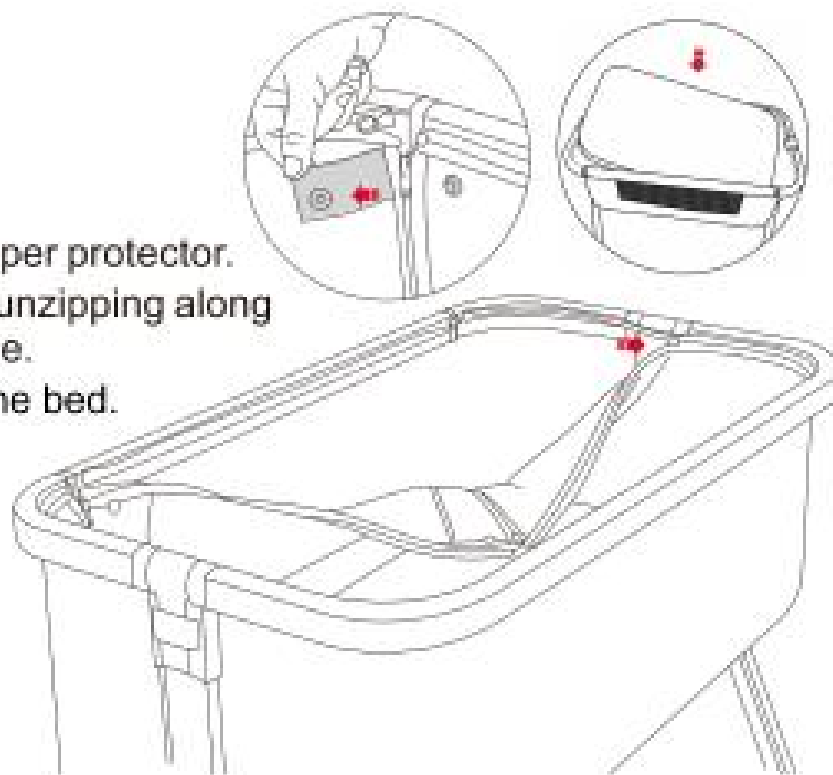
Entrapment Hazard- To prevent death from entrapment, bedside sleeper must be properly secured to adult bed using the attachment straps.

- There must be no more than 1/2 Inch (13mm) gap between bedside sleeper and adult bed.
- Check tightness before each use by pulling bedside sleeper in a direction away from adult bed.
- If gap exceeds 1/2 inch (13mm), DO NOT use product. Do not fill the gap with pillows, blankets or other items that are suffocation hazards.

The attachment strap must always be used in bedside sleeper mode.

Detaching fabric cover

1. Detach the buckle on the zipper protector.
2. Remove the fabric cover by unzipping along the top edge of the bed frame.
3. Put the sleeping mat flat in the bed.



The brake of bedside crib



Step on the four brakes on the bedside crib. The crib is on brakes.



Lift the brakes on the bedside crib. The crib is on mobile position.



The four brakes must be stepped on when the crib is used.

Maintenance and Care

- Regularly inspect screws, rivets, screws, and other fasteners to ensure that they are strong and secure, and replace any parts that are in poor condition.
- It is very important to thoroughly clean and dry the bedside crib after using in winter, seaside, wild or rain condition.
- Uncleaned sea salt will erode the metal parts.
- It can be cleaned with clean water and then thoroughly dried after using in these environment condition.
- Do not use the bedside crib if any parts of the product are found to be damaged, please contact the after sales service immediately.
- Do not expose the bedside crib under strong sunlight too long, as exposure under UV light may cause colour fading the fabric even with normal use.
- Be careful not to tear the fabric during the handling of the crib bed.
- Low viscosity oils or lubricants can be used as lubricants on moving parts.
- Do not machine wash.
- Please clean with a sponge, neutral cleaner and warm water.
- DO NOT use bedside sleeper if any parts are missing, damaged, or broken. Contact (Maydolly LLC) for replacement parts and instructional literature if needed. DO NOT substitute parts.

Manufacturer: Zhongshan Baby Products Co.,Ltd

Address: 2nd and 3rd floor, No.28,Lane 1, Xiangsheng Road, Shenglong Village,Xiaolan Town, Zhongshan City, Guangdong Province, China

Service Hotline: (86)0760-88508520

Distributor: SUZHOU NEWOX NETWORK TECHNOLOGY CO.,LTD

Address: 3UNIT 19AO PHASE 3 SISPARK NO 1355 JINJIHU ROAD, SIP,SUZHOU CHINA