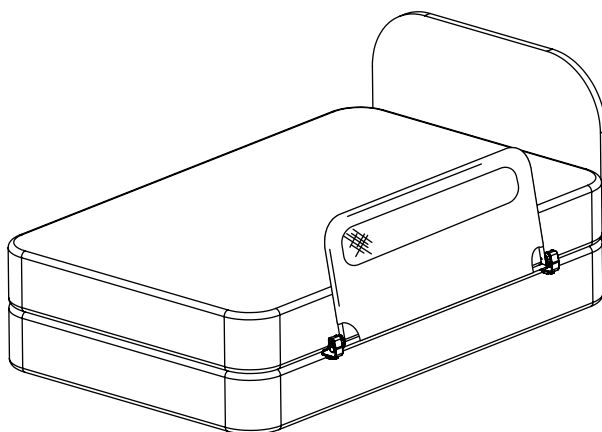




Swing Down Bed Rail

MODEL NO: 2020, 2220

Owner's Manual



READ ALL INSTRUCTIONS BEFORE ASSEMBLY AND USE
OF BED RAIL. KEEP INSTRUCTIONS FOR FUTURE USE.

www.regalo-baby.com

Regalo International, LLC.

3200 Corporate Center Drive, Suite 100

Burnsville, MN 55306-9803, USA

Toll Free: 866-272-5274

Made in China

Assembly and Installation Instructions

Read and follow all instructions carefully to ensure that your product is properly installed. Improper installation could result in unstable or unsafe use. The safety of your child is your responsibility. Please keep these instructions for your reference.

WARNING:

IMPORTANT ! KEEP FOR FUTURE REFERENCE !

- Failure to follow these instructions for the assembly and use of your bed rail could result in serious injury or death.
- This bed rail is intended for use with children 2 years to 5 years of age.

WARNING:

SUFFOCATION AND STRANGULATION HAZARD

- Gaps in and around bed rails have entrapped young children and killed infants.
- NEVER use with children younger than 2 years old. Use ONLY with older children who can get in and out of adult bed without help. NEVER use in place of crib.
- NEVER use unless bed rail is tight against mattress, without gaps, and at least 9 in. from headboard and footboard. Do not fill gaps with pillows, blankets, or other items that can suffocate children.
- NEVER use on toddler bed, bunk bed, water bed, or bed with inflatable mattress.
- Use ONLY on adult bed.
- Use ONLY on a bed ranging in size from twin size to queen size.
- Discontinue use if damaged, broken or if parts are missing.

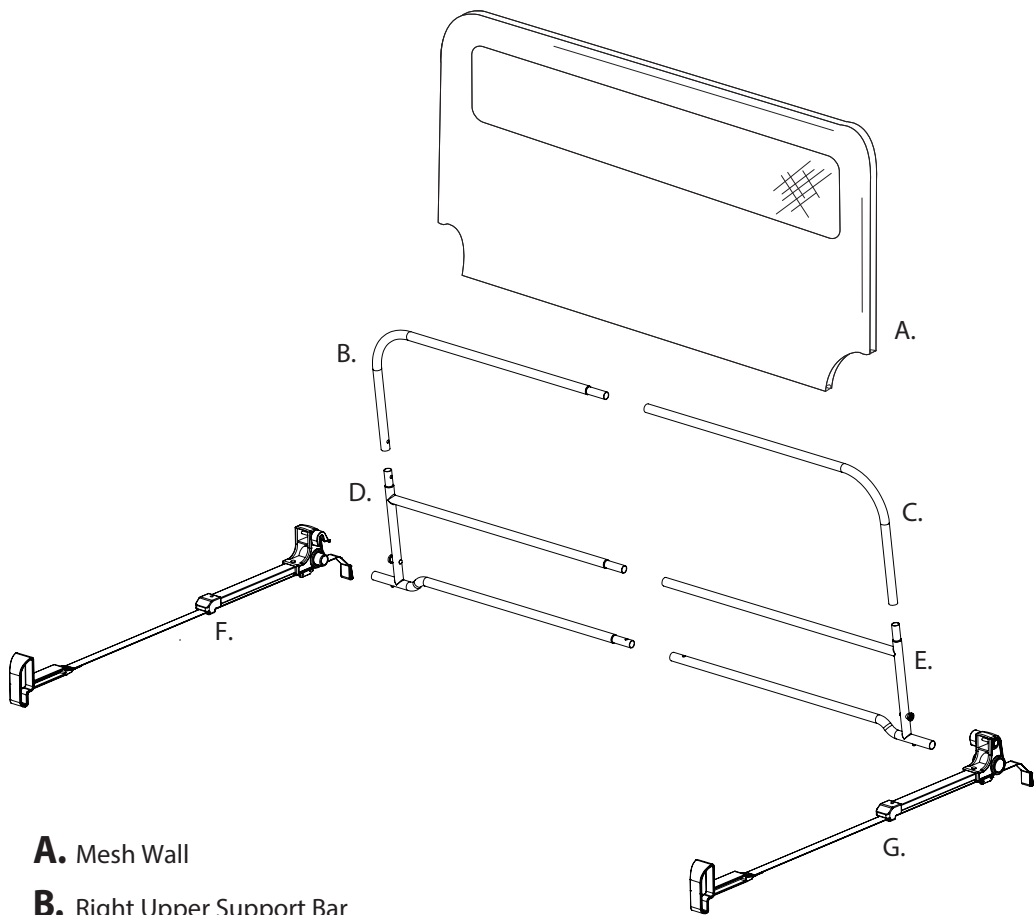
Contact Regalo for questions and replacement parts.

If in doubt about the use of your product, call our customer care line 866-272-5274.

Regalo International, LLC.
3200 Corporate Center Drive, Suite 100
Burnsville, MN 55306-9803, USA

Made in China

Check to make sure you have all of the parts shown:

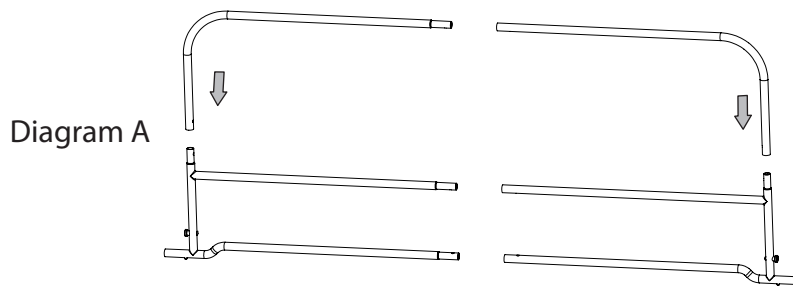


- A.** Mesh Wall
- B.** Right Upper Support Bar
- C.** Left Upper Support Bar
- D.** Right Bottom Support Bar
- E.** Left Bottom Support Bar
- F.** Right Swing Lock and Strap Assembly
- G.** Left Swing Lock and Strap Assembly

Assembling Your Bed Rail

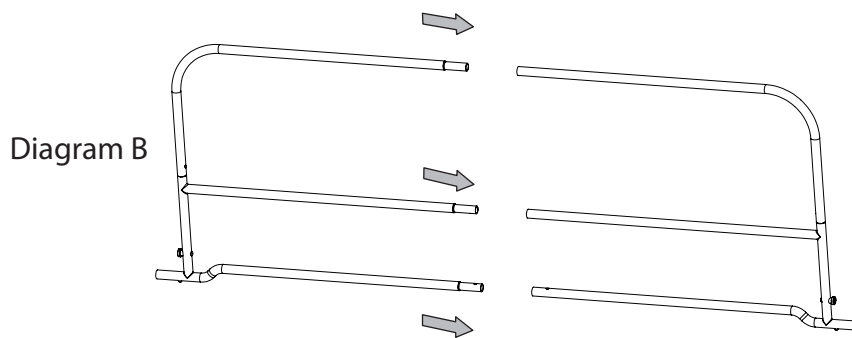
Step 1 : Insert Left Upper Support Bar into Left Bottom Support Bar. Make sure the spring pin fits securely into opposing hole so that the two pieces cannot pull apart.

Step 2 : Repeat Step 1 directions to assemble the right side of the bed rail.



Step 3 : With the left and right sides of the bed rail assembled, connect the two sides.

NOTE : Make sure that the spring pins are secured into the opposing holes so that the bed rail cannot pull apart.



Frame assembly should look like the image below.

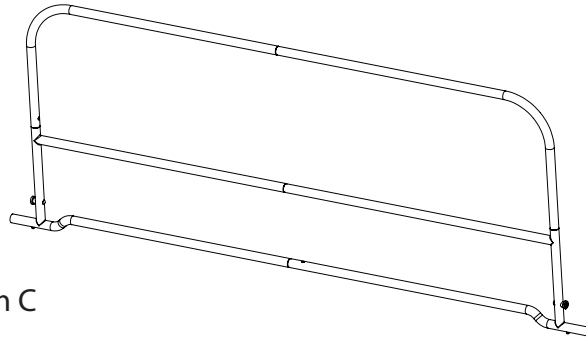


Diagram C

Step 4 : To install the mesh wall on the bed rail, slide the mesh wall over the frame until it reaches the other end and zip it shut to complete the installation.

NOTE : If the zipper does not close securely, make the necessary adjustments to ensure proper closure. **DO NOT** use the bed rail without securely zipping the mesh wall properly!

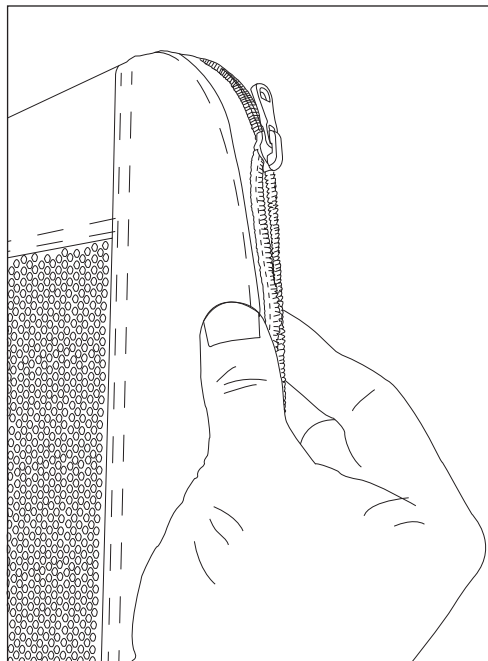
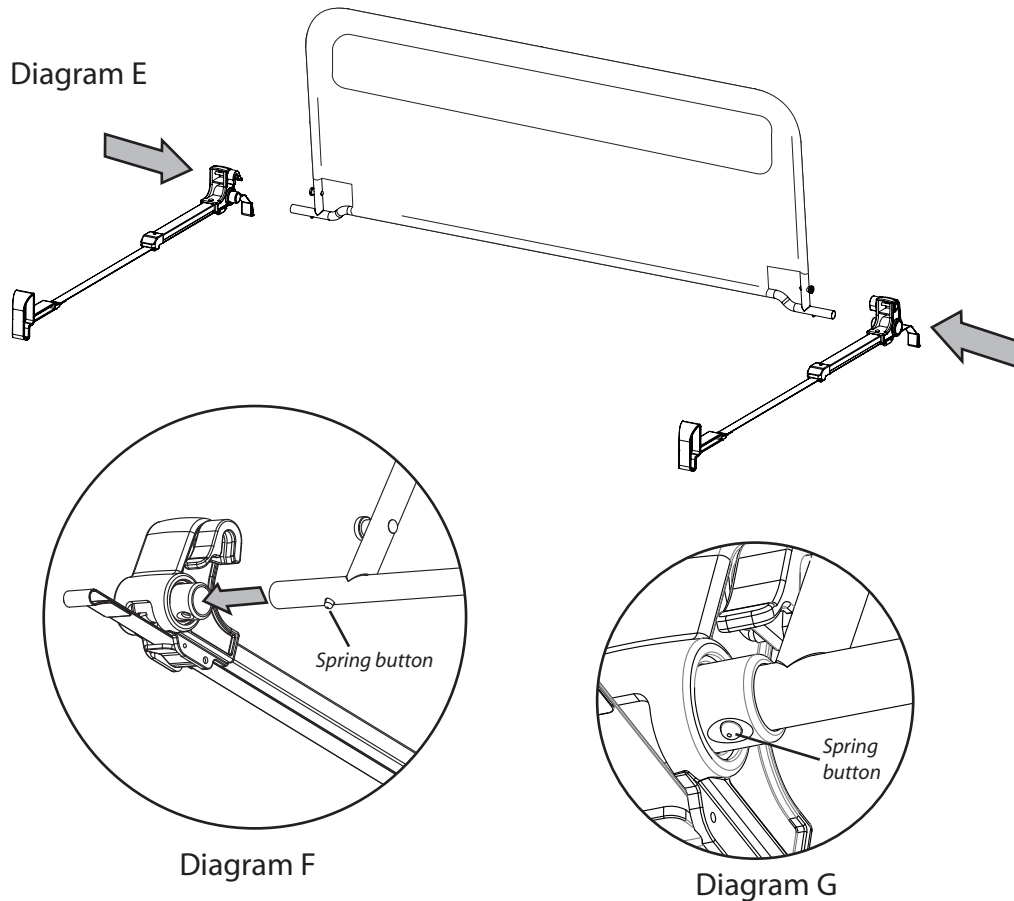


Diagram D

Step 5: With the wall of the bed rail completely assembled, you will now connect the Left and Right Swing Lock and Strap Assemblies.



Step 6: Insert one side of the wall frame into one of the Swing Lock Assemblies. Press in the metal spring button to fully insert the tube into the hole in the plastic hinge.

The spring button should line up with the access hole in the plastic sleeve on the Swing Lock Assembly. The spring button will rebound and lock the tube in place.

Repeat Step 6 to complete the assembly of the other side.

With completion of Step 6, the assembly of your bed rail is now complete. It is now ready to be installed on your bed!

Installing Your Bed Rail

Note : The next steps may require the help of a second person.

Step 1: Start by placing the bed rail on the side of the bed you have chosen for installation. The Left and Right Swing Lock and Strap Assemblies should be placed on top of the box spring or platform that will support the mattress. The 'T' shaped anchors and straps should be extended opposite the bedrail and mounted to the outer edge of the box spring or mattress support structure.

You may need to release the strap locking buckles located on the under side of the plastic hinges. Ensure the large end of the anchor is pointing up. The anchor straps should not be twisted. If twisted, the anchoring straps will not tighten properly.

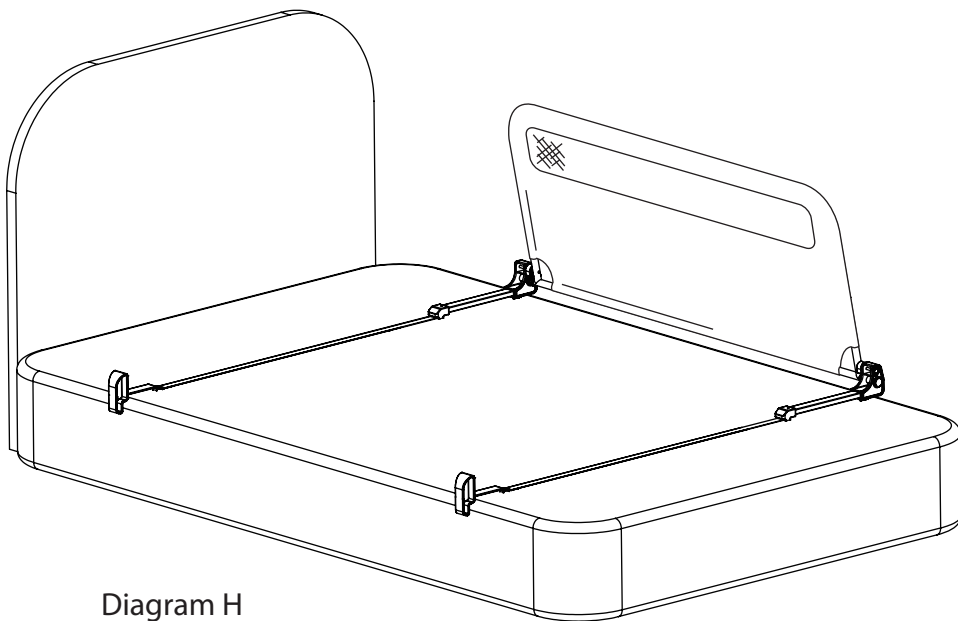


Diagram H

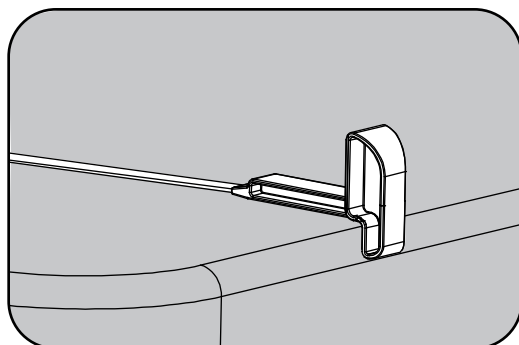


Diagram I

Step 2: Once the bed rail is placed properly, check to make sure the Left and Right Swing Lock and Strap Assemblies are parallel to one another. Then, place the mattress on top of the assembly.

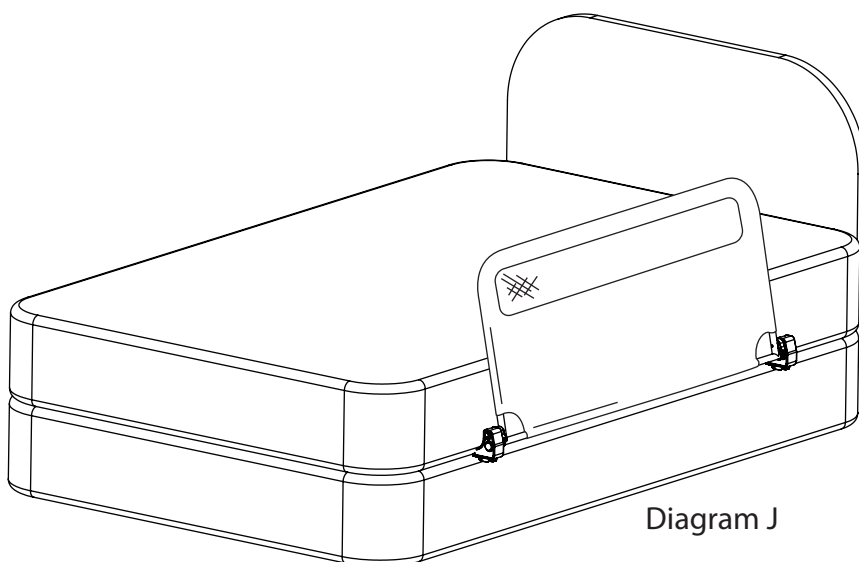


Diagram J

WARNING : In order for the bed rail fabric wall to be firmly held against the side of the mattress you **MUST** properly tighten the anchoring straps. Please follow the directions below very carefully.

Step 3 : Tighten the straps to bring the bedrail into it's proper position. To tighten the straps, first release the strap locks located on the under side of the plastic hinges. Pull the straps towards you until all the excess slack has been pulled out from under the mattress.

CAUTION: When using this bed rail on a foam mattress with little or no internal structure, make sure not to over tighten the mounting straps. If over-tightened, the mattress will likely fold or buckle in the middle and this will cause the bed rail to not provide your child with the highest level of safety. Make slight adjustments to find the best level of tightness on your mattress. The bed rail must be tight but should not buckle or fold.

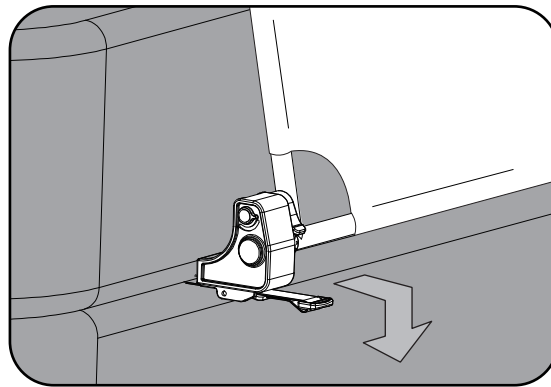


Diagram K

Step 4 : If the strap does not pull through smoothly, the strap may be twisted under the mattress. Correct this before continuing with the installation. Once you have taken the slack out of the straps, give one final pull on the strap end, hold it, and lock the locking tab on the locking buckle by pushing up on the thumb tab. Use the same procedure for each side to properly secure the bed rail.

IMPORTANT : After locking both buckles, check to make sure that the mesh wall of the bed rail is firmly up against the side of the mattress. There should be **NO GAPS**. If the mesh wall is not firmly against the side of the mattress, check to make sure the locking buckle is functioning properly and that the strap is not twisted beneath the mattress. Once this has been checked and corrected if needed, unlock the buckle, pull on the end of the strap to tightly and lock the buckle again.

NOTE : Store the excess anchoring strap material by tucking it under the mattress.

Operating the Swing Down Feature

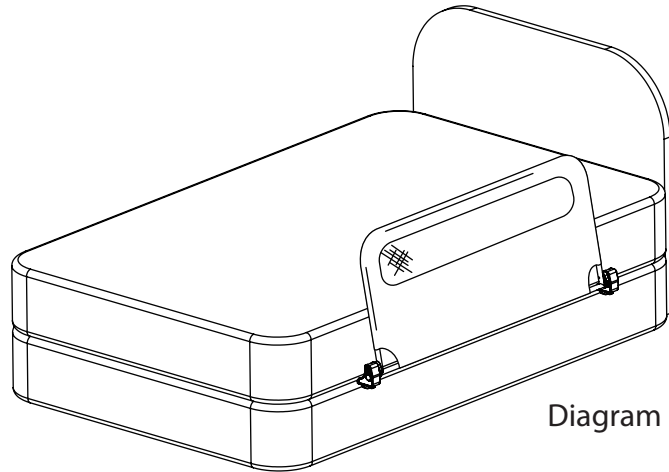


Diagram L

Step 1: With the bed rail side in the 'up' position, locate the locking tab on each of the hinges.

Step 2: Once the locking tabs have been located, flip the tab up to expose the open side of the lock. This will allow the upper part of the bed rail to move freely.

NOTE: Be sure to continue to hold the upper part of the bed rail so that it does not fall on its own!

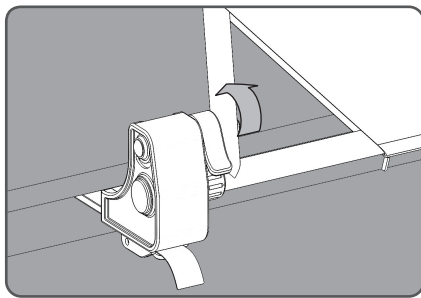


Diagram M

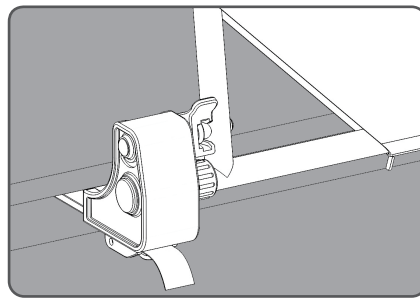


Diagram N

Step 3 : With both locking tabs turned to the 'open' position, hold the upper part of the bed rail firmly and swing it down. The bed rail should now be in the 'down' position.

NOTE : To return the bed rail to the 'up' position, reverse the previous instructions.
IMPORTANT: Make sure that the bed rail is in the 'up' position and the locking tabs are securely closed before leaving a child alone in the bed.

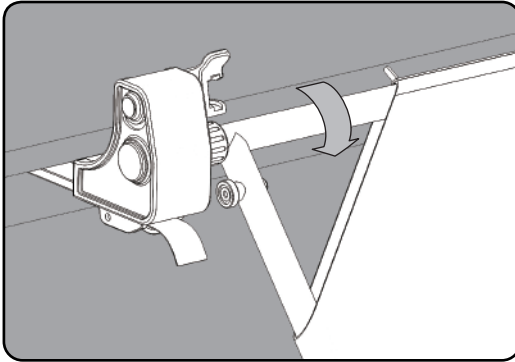


Diagram O

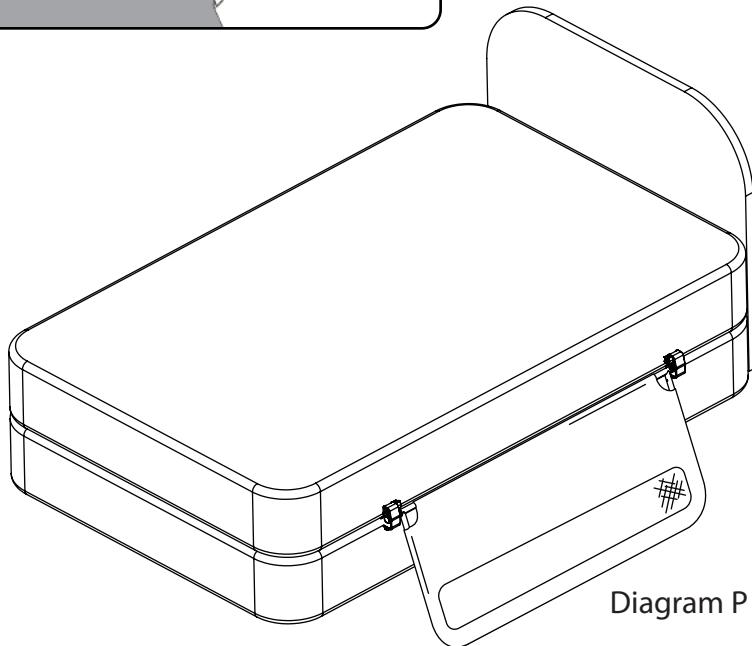


Diagram P

Care And Maintenance

Periodically check the bed rail for signs of damage, wear and/or for missing components.

Do not use if any part is missing, worn or damaged.

Check the bed rail regularly to make sure all hardware and mountings are tight and secure.

Do not use abrasive cleaners or bleach when cleaning.

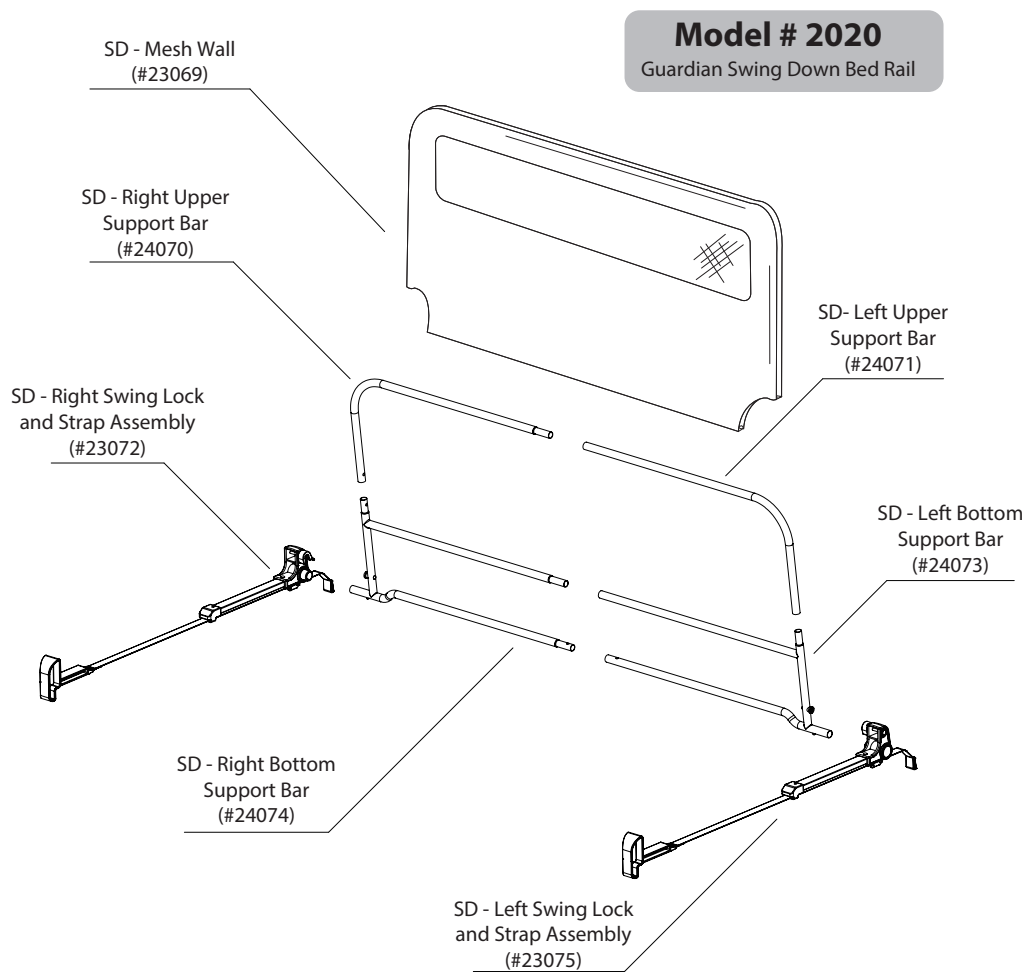
Proper cleaning of bed rail can be done by sponging it with warm water and mild detergent.

90 Days Limited Warranty:

If, during the first 90 days after consumer purchase of this item, under reasonable and non-commercial use and conditions of maintenance, it fails while owned by the original purchaser because of the quality of materials or workmanship of finish and assembly, Regalo International LLC will replace or repair it at Regalo's option, PROOF OF PURCHASE REQUIRED.

Replacement Parts Available

In the event of any damage or breakage, the following replacement parts are available for order by contacting Regalo Customer Service.



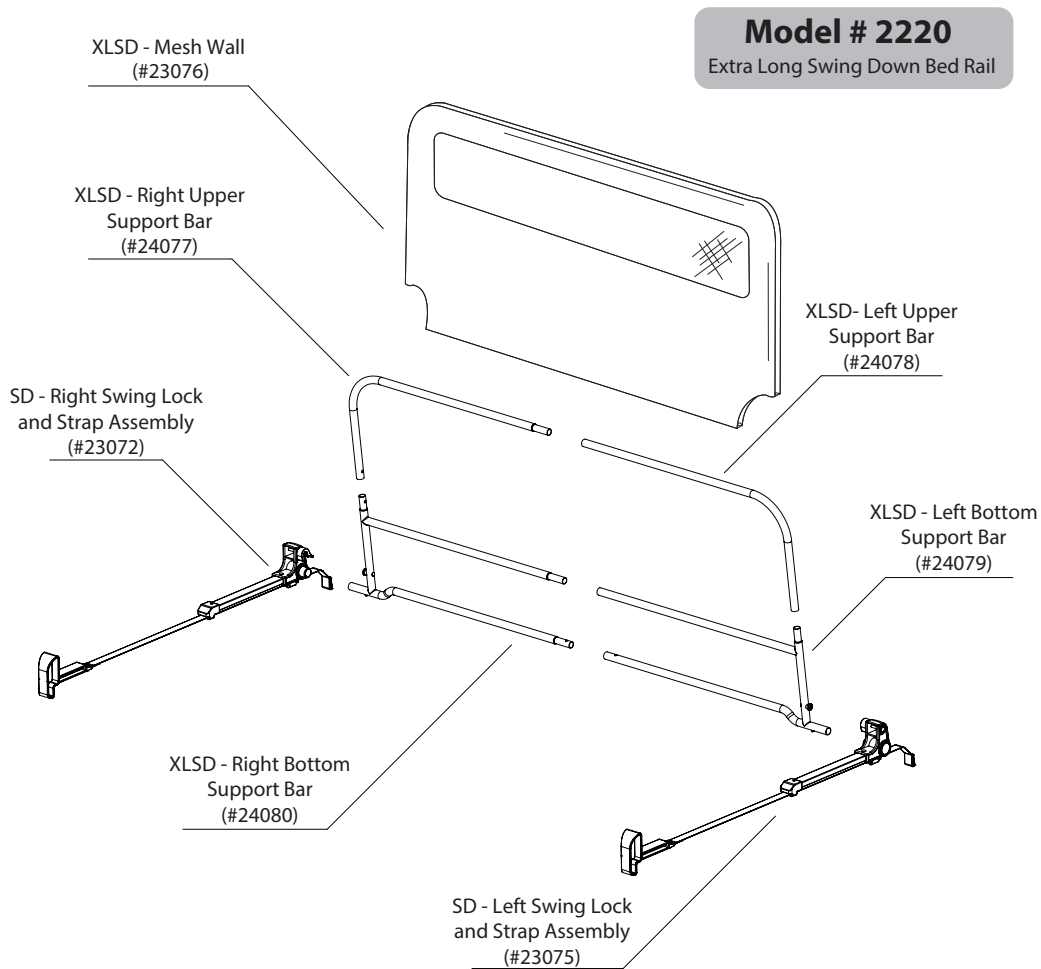
Contact Regalo for questions and replacement parts.
For questions about the use of your product, call our customer care line 866-272-5274.

Regalo International, LLC.
3200 Corporate Center Drive, Suite 100
Burnsville, MN 55306-9803, USA

Made in China

Replacement Parts Available

In the event of any damage or breakage, the following replacement parts are available for order by contacting Regalo Customer Service.



Contact Regalo for questions and replacement parts.
For questions about the use of your product, call our customer care line 866-272-5274.

Regalo International, LLC.
3200 Corporate Center Drive, Suite 100
Burnsville, MN 55306-9803, USA

Made in China



Regalo International,
3200 Corporate Center Drive, Suite 100
Burnsville, MN 55306-9803, USA
Toll Free: 866-272-5274
Made in China

02/13/2014_BL