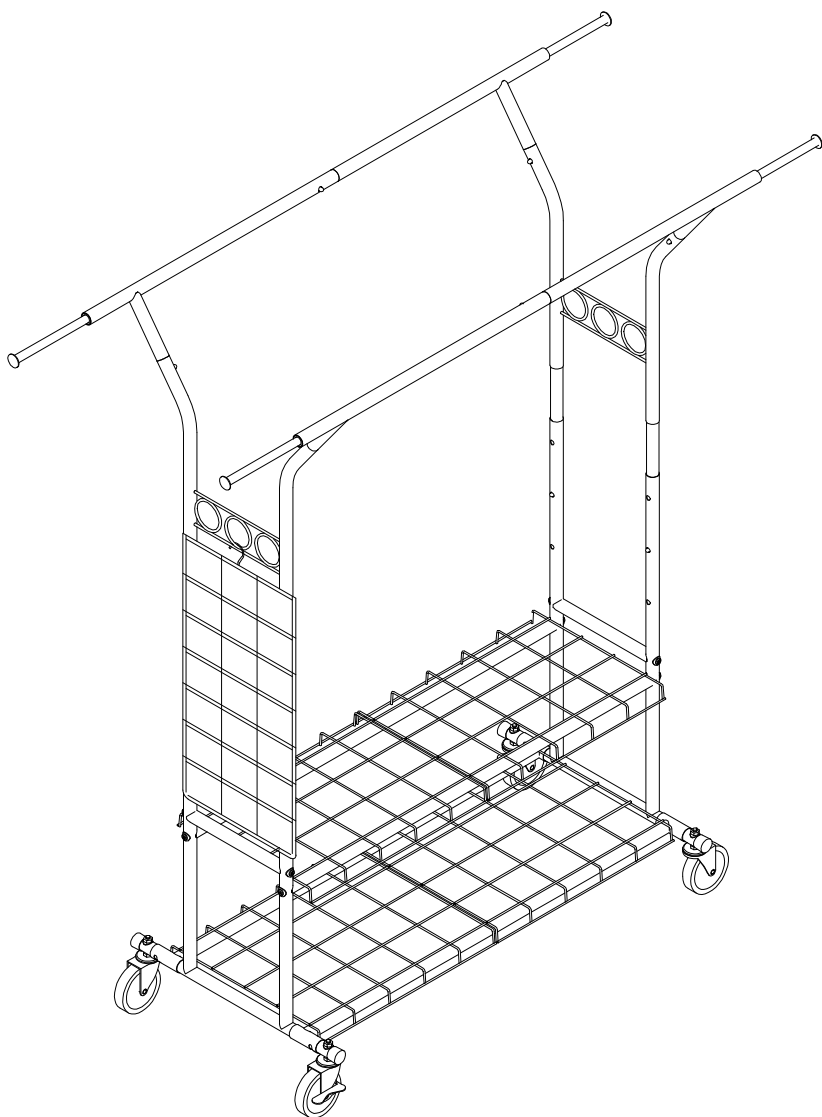


HYSEYY

Garment Racks

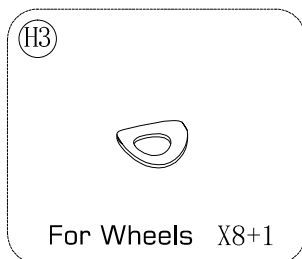
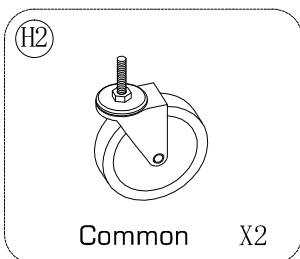
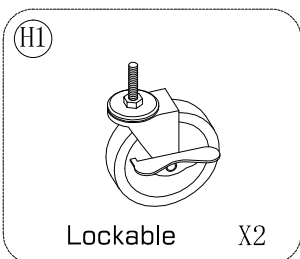
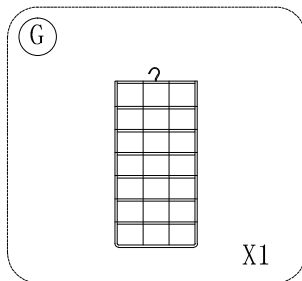
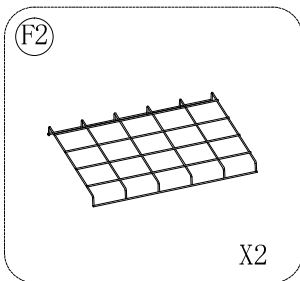
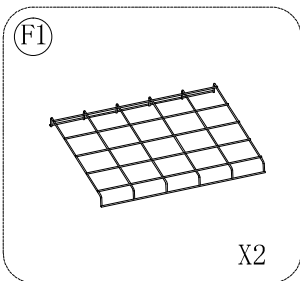
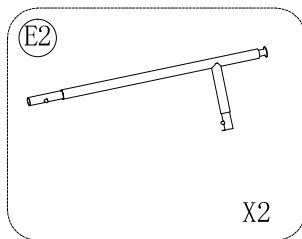
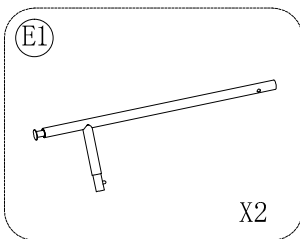
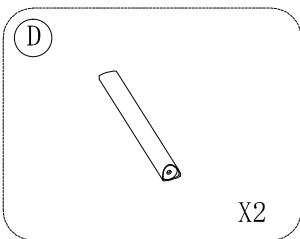
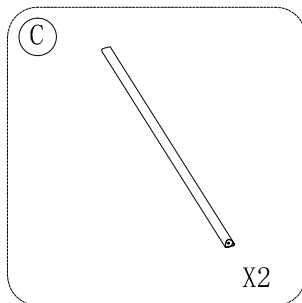
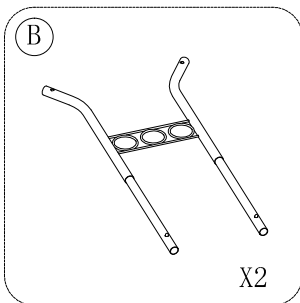
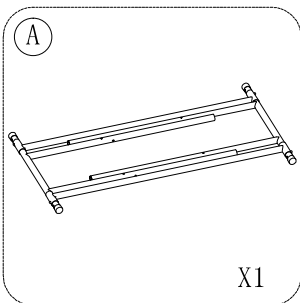
Model: YS-K-1301S

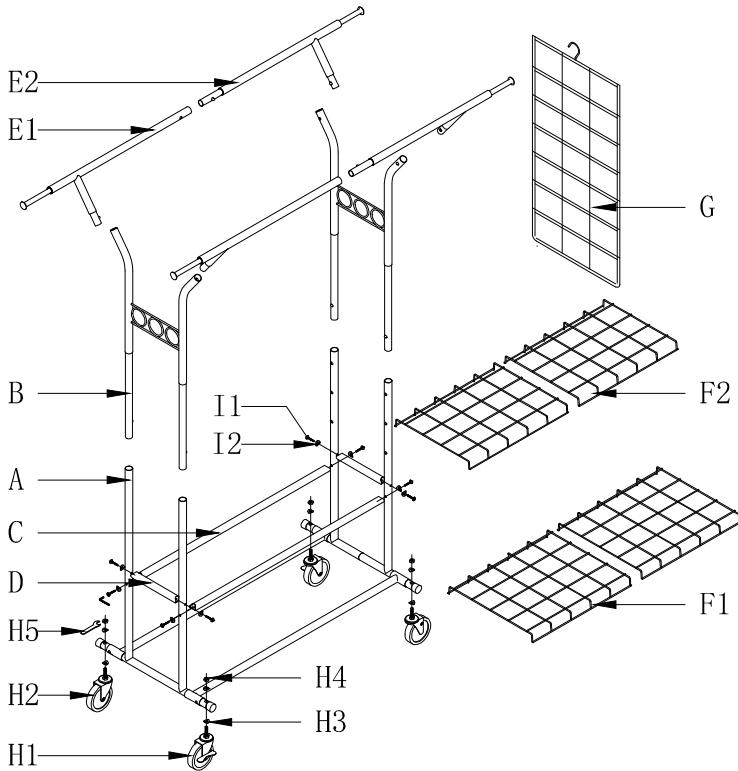
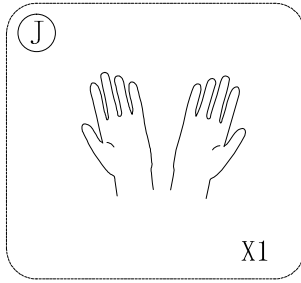
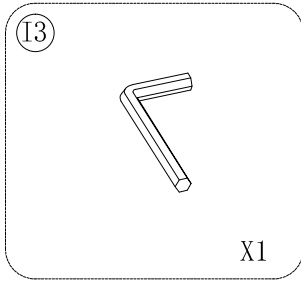
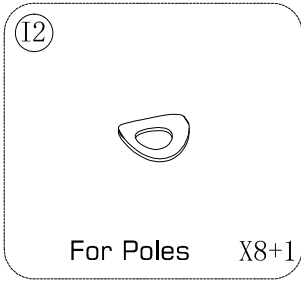
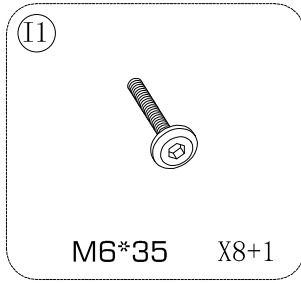
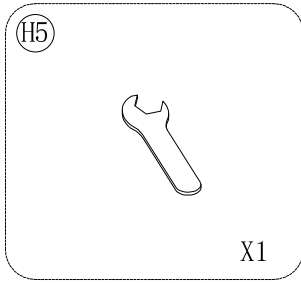
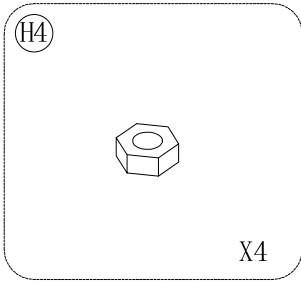


Please check all parts and accessories according to the parts list before assembling, make sure no parts are missing and everything is in good condition.

If you find any part missing or defective, please contact us immediately via this E-mail for replacement parts.

Email: support@hyseyy.com





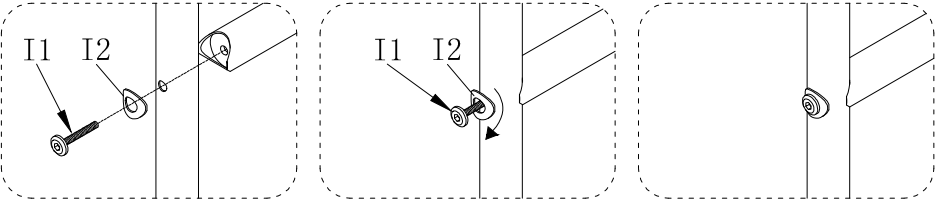
HOW TO INSTALL

NOTICE:

1. **DO NOT** fully tighten screws until fully assembled.
2. It's recommended that wear gloves before installation to prevent you from getting hurt during installation.
3. Please **DO NOT** hang clothes that exceed the maximum capacity described on the product page.

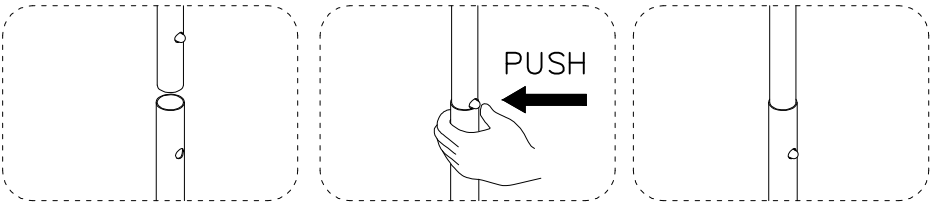
REMARK:

The part(I1) is designed to be used with part(I2). Please adjust part (I2) as shown in the picture to fit the pole.



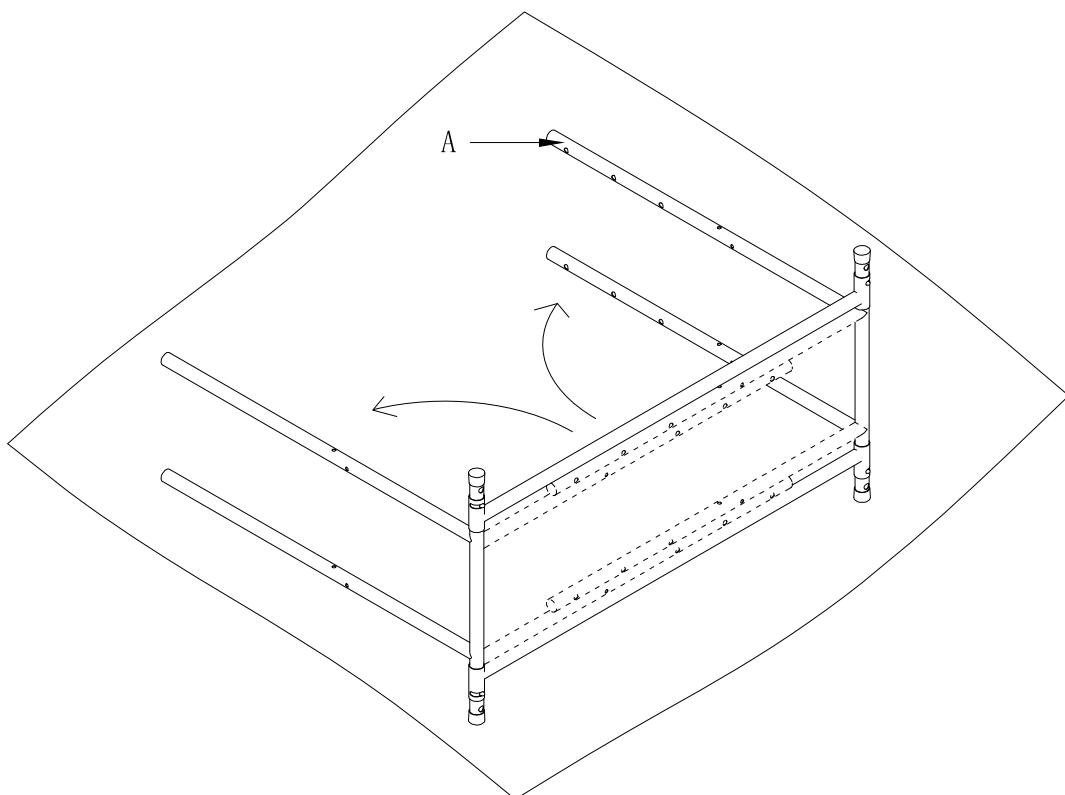
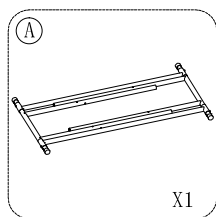
REMARK:

How to use the spring fastener.



Step 1

Open part **(A)** and place it on the floor as shown in the picture.

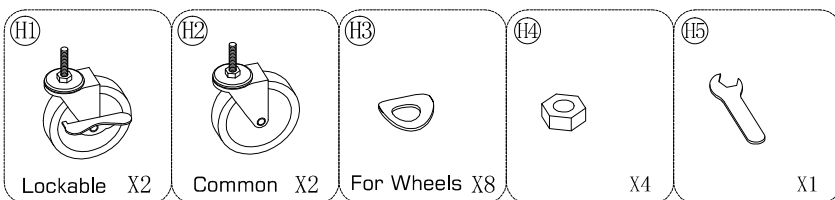


NOTICE:

Before installation, please lay a cloth on the floor to prevent scratching the floor.

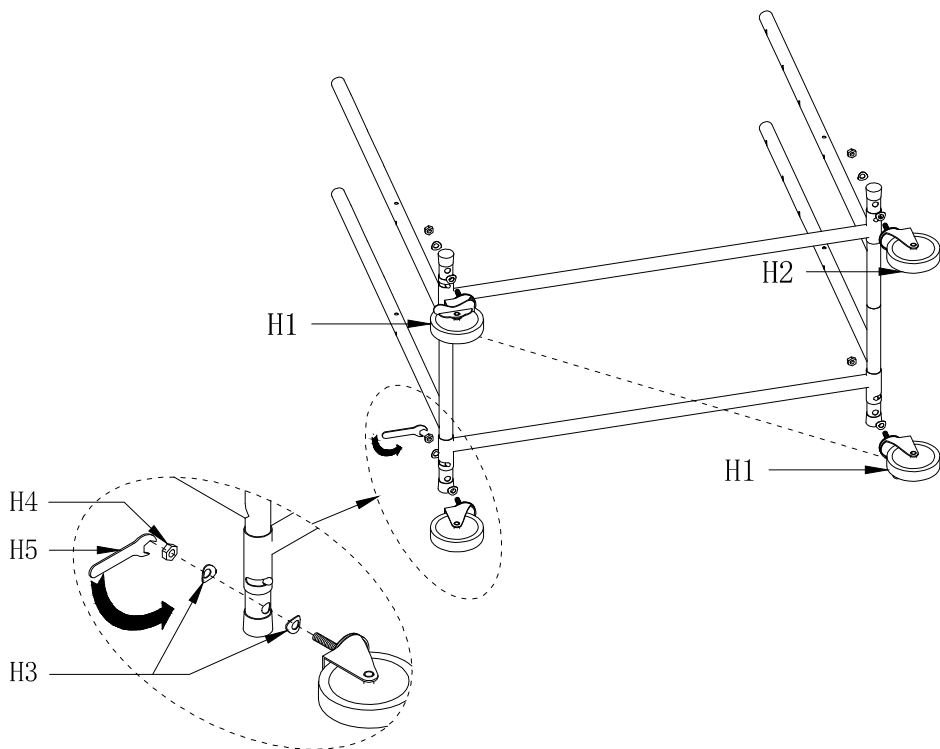
Step 2

Install 2 type wheels (**H1&H2**) on part (**A**) by tool (**H5**).



NOTICE:

The installation of each wheel needs 2 gaskets and 1 nut (**H3&H4**) as shown in the picture.

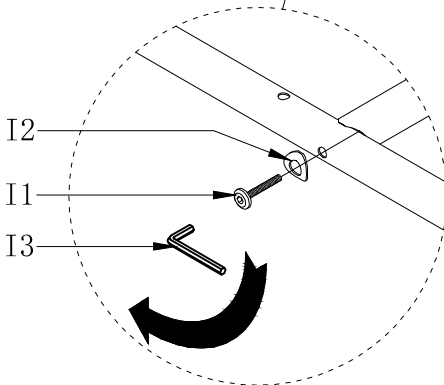
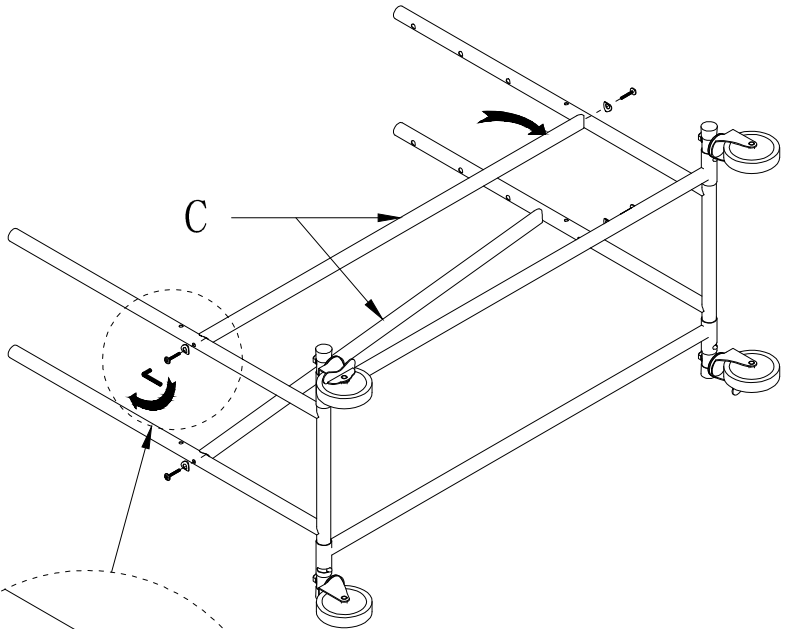
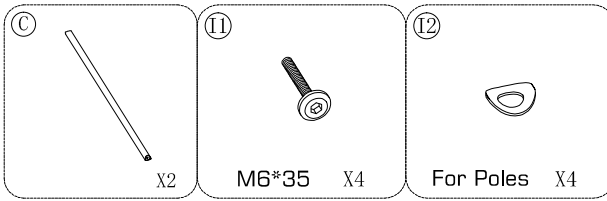


NOTICE:

To make the garment rack more stable, please install part (**H1**) along the diagonals.

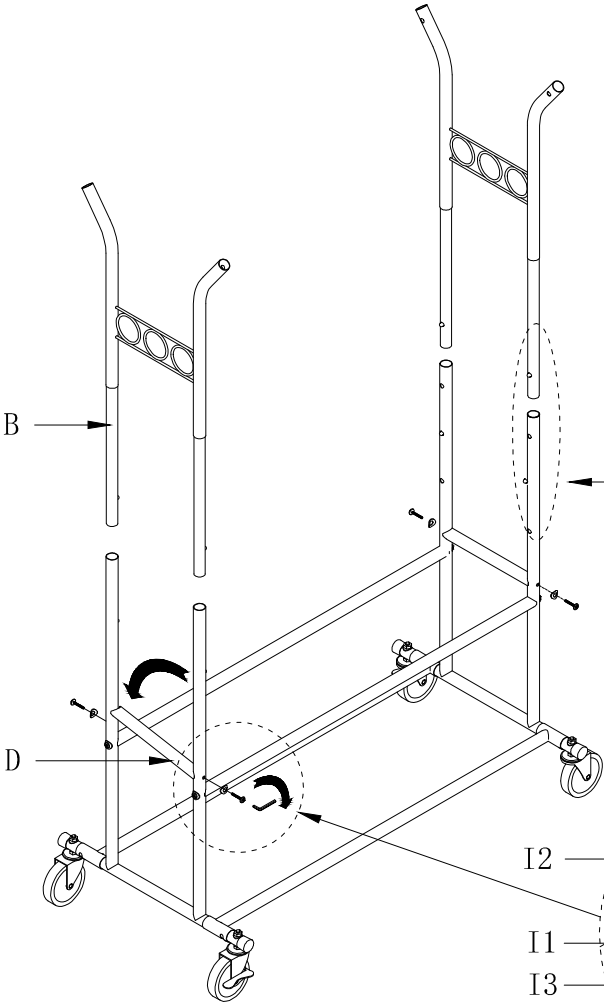
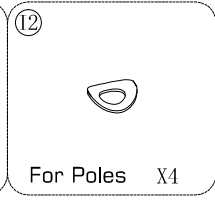
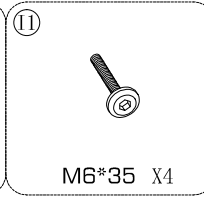
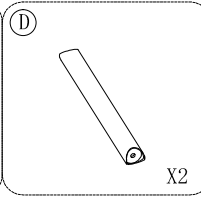
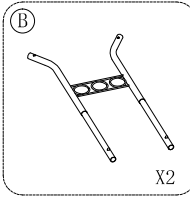
Step 3

Install part **(C)** between part **(A)** with screws **(I1)**, gaskets **(I2)**, and tools **(I3)**.

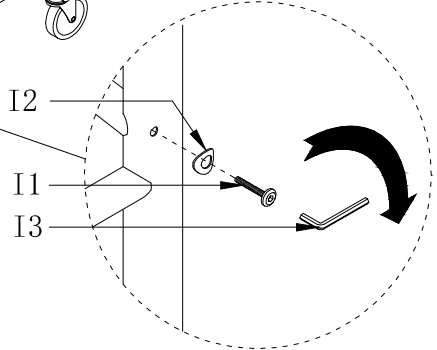


Step 4

Insert part **(B)** into part **(A)**. Install part **(D)** between part **(A)** with screws **(I1)**, gaskets **(I2)**, and tool **(I3)**.

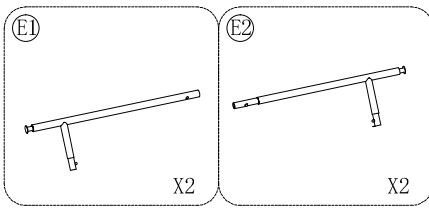


NOTICE:
The height of part **(B)** is adjustable.



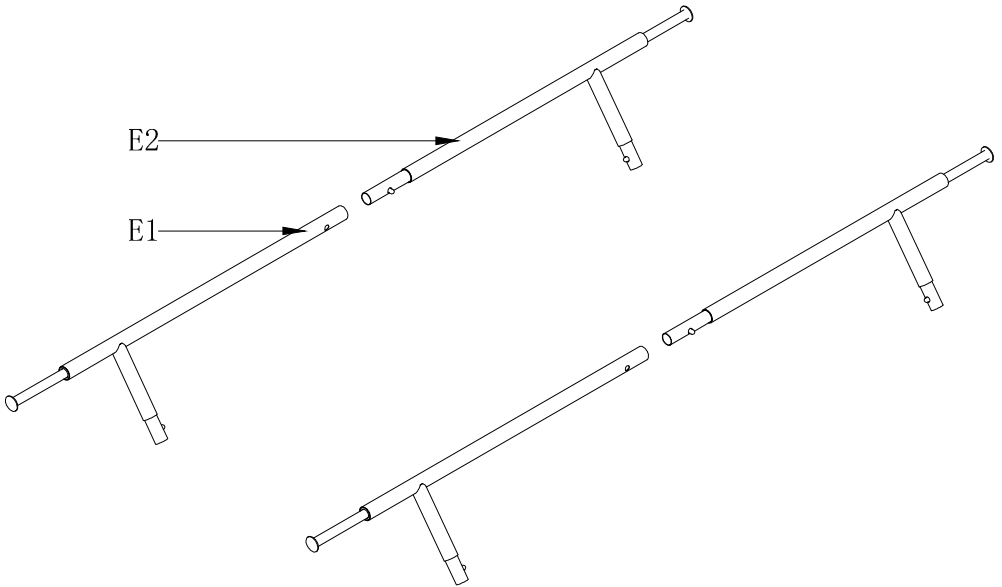
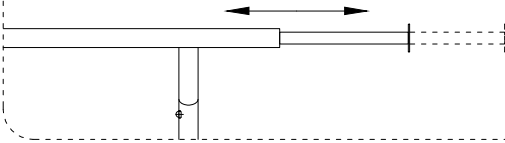
Step 5

Insert part **(E1)** into part **(E2)**.



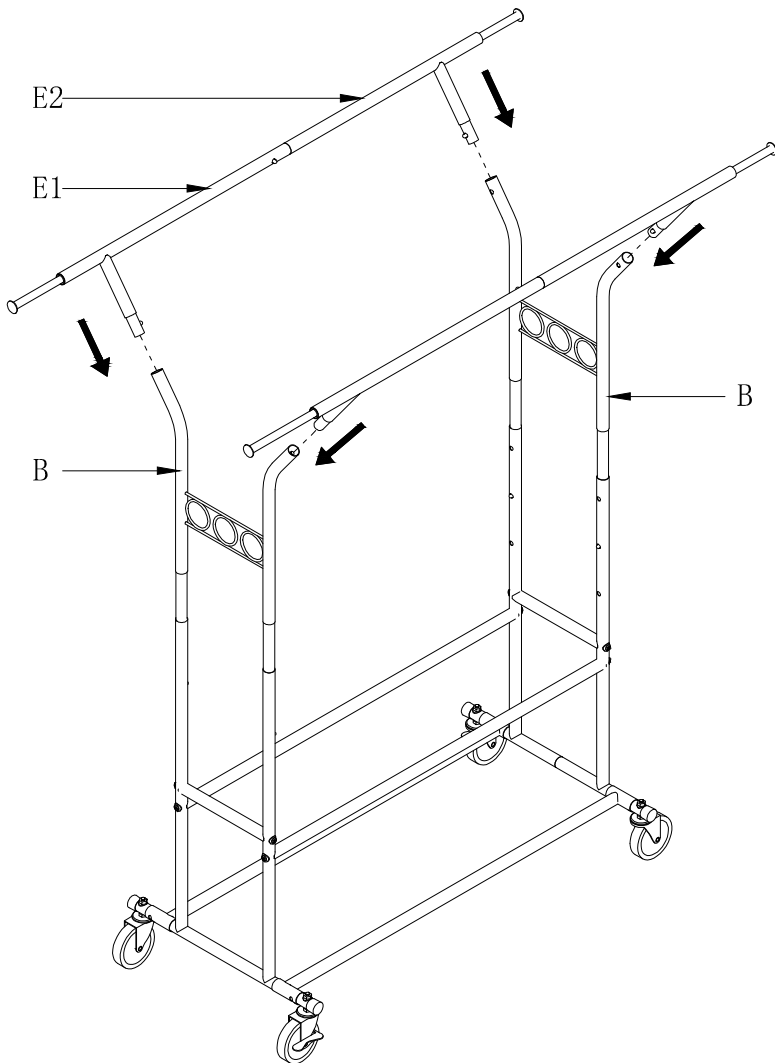
NOTICE:

Stretch the end of the part **(E1&E2)** to adjust the length.



Step 6

Insert part (**E1&E2**) into part (**B**).

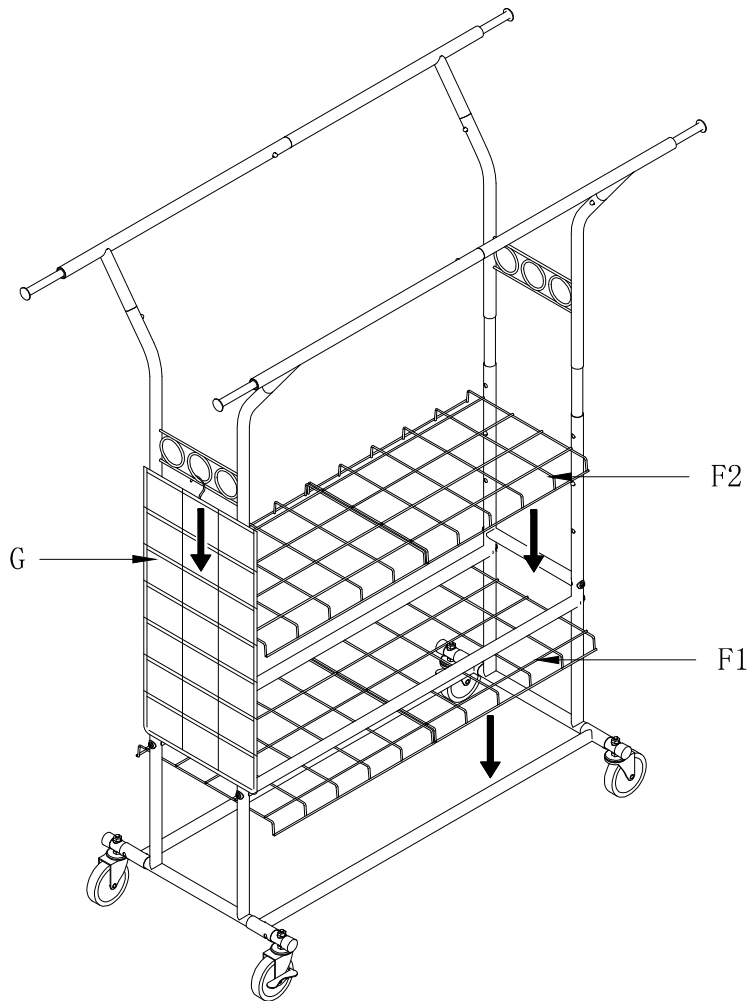
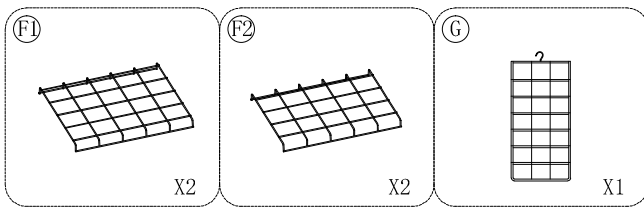


NOTICE:

Once all installations have been completed, tighten all screws and nuts.

Step 7

Put part **(F1)** on part **(A)**, part **(F2)** on part **(C)**, and hang part **(G)** on the shelf.



After-Sales Service

Dear Customer,

Thanks a million for purchasing this item. We highly appreciate your support.

Our goal is to build mutually beneficial partnerships and relationships with our customers, aiming to be a reliable and recommended brand.

We sincerely hope this product could meet your expectations and welcome you to come back again for future needs.

When you received the package, please kindly double-check your package and accessories to see if there is any problem.

If you have any questions, please do not hesitate to contact us.

Email: **support@hyseyy.com**

We spare no efforts to help you as always. We will reply to each email within 24 hours and all of our endeavors are made for customers. Your 100% satisfaction is our unchangeable goal forever!

Best regards,
Customer Service Team.