

**PORTABLE STEREO COMPACT DISC PLAYER
WITH AM/FM RADIO**





**USER MANUAL
MODEL CD-490**

**Please read this Manual carefully before using
the unit and retain it for future reference**

WARNING

TO PREVENT FIRE OR SHOCK HAZARD, DO NOT USE THIS PLUG WITH AN EXTENSION CORD, RECEPTACLE OR OTHER OUTLET UNLESS THE BLADES CAN BE FULLY INSERTED TO PREVENT BLADE EXPOSURE. TO PREVENT FIRE OR SHOCK HAZARD, DO NOT EXPOSE THIS APPLIANCE TO RAIN OR MOISTURE.

| | | |
|---|--|---|
|  <p>The lightning flash and arrow head within the triangle is a warning sign alerting you of “dangerous voltage” inside the product.</p> | <p style="text-align: center;">CAUTION RISK OF ELECTRIC SHOCK DO NOT OPEN</p> <p>CAUTION: TO REDUCE THE RISK OF ELECTRIC SHOCK DO NOT REMOVE COVER (ON BACK), NO USER SERVICEABLE PARTS INSIDE. REFER SERVICING TO QUALIFIED SERVICE PERSONNEL.</p> |  <p>The exclamation point within the triangle is a warning sign alerting you of important instructions accompanying the product.</p> |
|---|--|---|

The Caution Marking is located at the bottom enclosure of the apparatus.

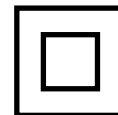
IMPORTANT SAFETY INSTRUCTIONS

1. Read these instructions.
2. Keep these instructions.
3. Heed all warnings.
4. Follow all instructions.
5. Do not use this apparatus near water.
6. Cleaning-Unplug this product from the wall outlet before cleaning. Do not use liquid cleaners or aerosol cleaners. Clean only with dry cloth.
7. Do not block any ventilation openings. Install in accordance with the manufacturer's instructions.
8. Do not place this product on an unstable cart, stand, tripod, bracket, or table. The product may fall, causing serious injury to a child or adult, and serious damage to the product. Use only with a cart, stand, tripod, bracket, or table recommended by the manufacturer, or sold with the product. Any mounting of the product should follow the manufacturer's instructions, and should use a mounting accessory recommended by the manufacturer. A product and cart combination should be moved with care-quick stops, excessive force and uneven surfaces may cause the product and cart combination to overturn.
9. Do not install near any heat sources such as radiators, heat registers, stoves, or other apparatus (including amplifiers) that product heat.
10. Do not defeat the safety purpose of the polarized or grounding-type plug. A polarized plug has two blades with one wider than the other. A grounding type plug has two blades and a third grounding prong. The wide blade or the third prong is provided for your safety. If the provided plug does not fit into your outlet, consult an electrician for replacement of the obsolete outlet.
11. Protect the power cord from being walked on or pinched particularly at plugs, convenience receptacles, and the point where they exit from the apparatus.
12. Only use attachments/accessories specified by the manufacturer.
13. Unplug this apparatus during lightning storms or when unused for a long periods of time.
14. Refer all servicing to qualified service personnel. Servicing is required when the apparatus has been damaged in any way, such as power-supply cord or plug is damaged, liquid has been spilled or objects have fallen into the apparatus, the apparatus has been exposed to rain or moisture, does not operate normally, or has been dropped.



15. This appliance shall not be exposed to dripping or splashing water and that no object filled with liquids such as vases shall be placed on the apparatus.
16. Do not overload wall outlet. Use only power source as indicated.
17. Use replacement part as specified by the manufacturer.
18. Upon completion of any service or repairs to this product, ask the service technician to perform safety checks.
19. Power Sources - This product should be operated only from the type of power source indicated on the marking label. If you are not sure of the type of power supply to your home, consult your product dealer or local power company. For products intended to operate from battery power, or other sources, refer to the operating instruction.
20. Object and Liquid Entry - Never push objects of any kind into this product through openings as they may touch dangerous voltage points or short-out parts that could result in a fire or electric shock. Never spill liquid of any kind on the product.
21. Damage Requiring Service - Unplug this product from the wall outlet and refer servicing to qualified service personnel under the following conditions:
 - a) When the power-supply cord or plug is damaged,
 - b) If liquid has been spilled, or objects have fallen into the product,
 - c) If the product has been exposed to rain or water,
 - d) If the product does not operate normally by following the operating instructions. Adjust only those controls that are covered by the operating instructions as an improper adjustment of other controls may result in damage and will often require extensive work by a qualified technician to restore the product to its normal operation.
 - e) If the product has been dropped or damaged in any way, and
 - f) When the product exhibits a distinct change in performance - this indicates a need for service.

This symbol indicates that this product incorporates double insulation between hazardous mains voltage and user accessible parts.



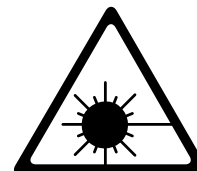
SAVE THESE INSTRUCTIONS

CAUTION

CLASS 1 LASER PRODUCT

CLASS 1 LASER PRODUCT
 APPAREIL LASER DE CLASSE 1
 PRODUCTO LASER DE CLASE 1

CAUTION
 INVISIBLE LASER RADIATION
 WHEN OPEN AND INTERLOCKS
 DEFEATED
 AVOID EXPOSURE TO BEAM.



This product contains a low power laser device.

Follow the advice below for safe operations.

ON PROTECTION AGAINST LASER ENERGY EXPOSURE

- As the laser beam used in this compact disc player is harmful to the eyes, do not attempt to disassemble the casing.
- Stop operation immediately if any liquid or solid object should fall into the cabinet.
- Do not touch the lens or poke at it. If you do, you may damage the lens and the player may not operate properly.

- Do not put anything in the safety slot. If you do, the laser diode will be ON when the CD door is still open.
- If the unit is not to be used for a long period of time, make sure that all power sources are disconnected from the unit. Remove all batteries from the battery compartment, and unplug the AC cord from the wall outlet. Make it a practice to remove the AC cord by grasping the main body and not by pulling the cord.
- This unit employs a laser. The use of controls or adjustment or performance of procedures other than those specified here may result in exposure to hazardous radiation.

Should any trouble occur, remove the power source and refer servicing to qualified personnel.

COMPLIANCE WITH FCC REGULATIONS

This device complies with Part 15 of the FCC Rules. Operation is subject to the following two conditions:

- (1) this device may not cause harmful interference, and
- (2) this device must accept any interference received, including interference that may cause undesired operation.

NOTE : This equipment has been tested and found to comply with the limits for a Class B digital device, pursuant to Part 15 of the FCC Rules. These limits are designed to provide reasonable protection against harmful interference in a residential installation. This equipment generates uses and can radiate radio frequency energy and, if not installed and used in accordance with the instructions, may cause harmful interference to radio communications. However, there is no guarantee that interference will not occur in a particular installation. If this equipment does cause harmful interference to radio or television reception, which can be determined by turning the equipment off and on, the user is encouraged to try to correct the interference by one or more of the following measures:

- Reorient or relocate the receiving antenna.
- Increase the separation between the equipment and receiver.
- Connect the equipment into an outlet on a circuit different from that to which the receiver is connected.
- Consult the dealer or an experienced radio/TV technician for help.

WARNING: Changes or modifications not expressly approved by the party responsible for compliance could void the user's authority to operate the equipment.

PROTECT YOUR FURNITURE!!

This system is equipped with non-skid rubber 'feet' to prevent the product from moving when you operate the controls. These 'feet' are made from non-migrating rubber material specially formulated to avoid leaving any marks or stains on your furniture. However certain types of oil based furniture polishes, wood preservatives, or cleaning sprays may cause the rubber 'feet' to soften, and leave marks or a rubber residue on the furniture.

To prevent any damage to your furniture we strongly recommend that you purchase small self-adhesive felt pads, available at hardware stores and home improvement centers everywhere, and apply these pads to the bottom of the rubber 'feet' before you place the product on fine wooden furniture.

DEAR JENSEN® CUSTOMER

Selecting fine audio equipment such as the unit you've just purchased is only the start of your musical enjoyment. Now it's time to consider how you can maximize the fun and excitement your equipment offers. This manufacturer and the Electronic Industries Association's Consumer Electronics Group want you to get the most out of your equipment by playing it at a safe level. One that lets the sound come through loud and clear without annoying blaring or distortion and, most importantly, without affecting your sensitive hearing. Sound can be deceiving. Over time your hearing "comfort level" adapts to higher volumes of sound. So what sounds "normal" can actually be loud and harmful to your hearing. Guard against this by setting your equipment at a safe level BEFORE your hearing adapts.

To establish a safe level:

- Start your volume control at a low setting.
- Slowly increase the sound until you can hear it comfortably and clearly, and without distortion.

Once you have established a comfortable sound level:

- Set the dial and leave it there.
Taking a minute to do this now will help to prevent hearing damage or loss in the future. After all, we want you listening for a lifetime.

We Want You Listening For a Lifetime

Used wisely, your new sound equipment will provide a lifetime of fun and enjoyment. Since hearing damage from loud noise is often undetectable until it is too late, this manufacturer and the Electronic Industries Association's Consumer Electronics Group recommend you avoid prolonged exposure to excessive noise.



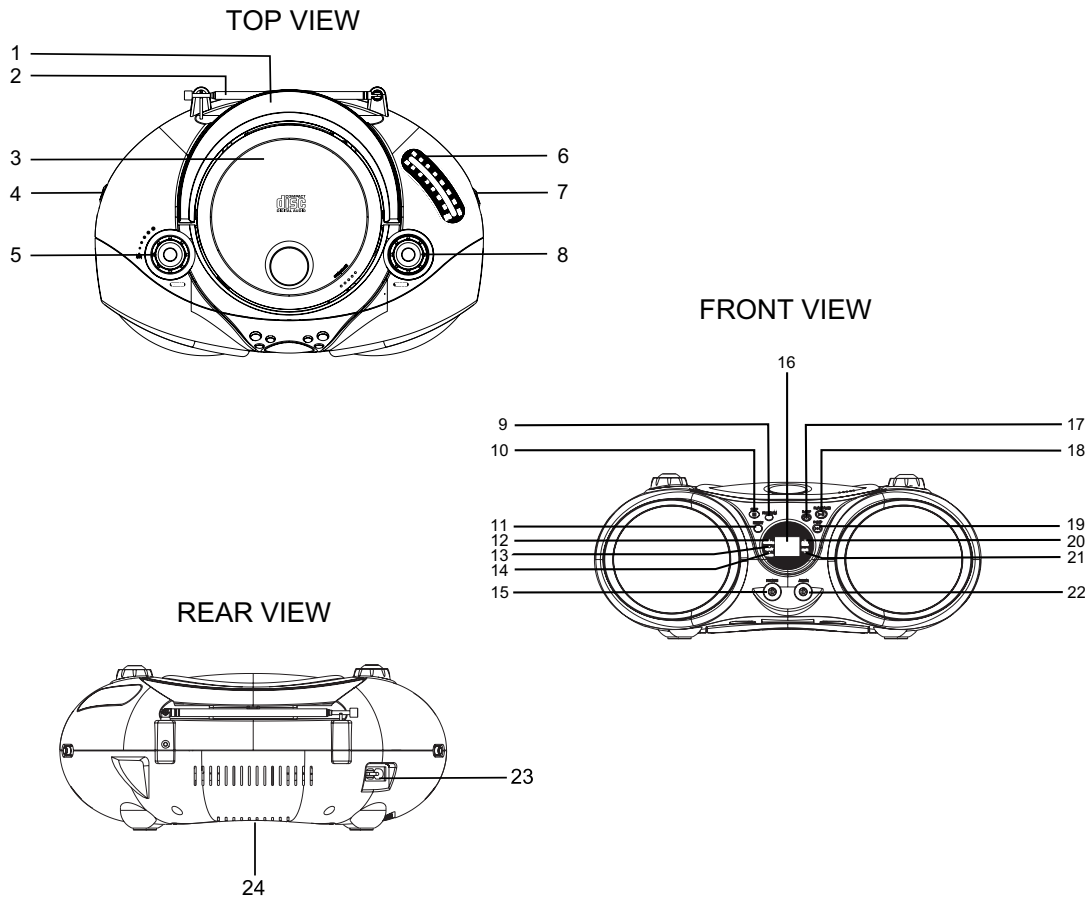
Customer's Record:

The serial number of this product is found on its bottom cover. You should note the serial number of this unit in the space provided as a permanent record of your purchase to aid in identification in the event of theft or loss.

Model Number: CD-490

Serial Number: _____

LOCATION OF CONTROLS



- | | |
|---|---|
| <ul style="list-style-type: none"> 1. Carrying Handle 2. FM Antenna 3. CD Door 4. Function Selector 5. Volume Control 6. Dial Scale 7. Band Selector 8. Tuning Knob 9. Program Button 10. Stop ■ Button 11. Repeat Button 12. Program Indicator | <ul style="list-style-type: none"> 13. Repeat Indicator 14. Power Indicator 15. Headphone Jack 16. LED Display 17. Skip Backward ◀◀ Button 18. Play/Pause ▶ Button 19. Skip Forward ▶▶ Button 20. Play/Pause Indicator 21. FM Stereo Indicator 22. AUX IN Jack 23. AC Power Socket 24. Battery Compartment |
|---|---|

POWER SOURCE

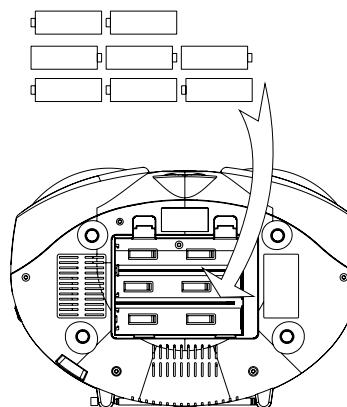
The CD-490 operates on 8 X 'C' size (UM-2) batteries (Not included) or from AC120V ~ 60Hz line power.

A. BATTERY OPERATION

For best performance and longer operating time, we recommend the use of alkaline batteries.

1. Remove the Battery Door.
2. Following the polarity (+ and -) diagram as shown inside the battery compartment, insert 8 'C' size (UM-2) batteries.
3. Replace the Battery Door.

BATT. SUPPLY: UM-2 / LR14 / SIZE "C" 1.5V x 8

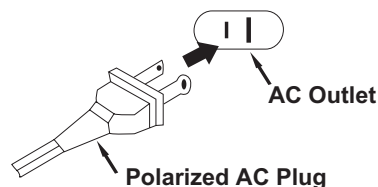


BATTERY WARNING

1. Be sure that the batteries are installed correctly. Wrong polarity may damage the unit.
2. (a) Do not mix old and new batteries.
(b) Do not mix alkaline, standard (carbon-zinc) or rechargeable (nickel-cadmium) batteries.
3. If the unit is not to be used for an extended period of time, remove the batteries. Old or leaking batteries can cause damage to the unit and may void the warranty.
4. Do not dispose of batteries in fire, batteries may explode or leak.

B. AC POWER CONNECTION

1. Insert one end of power cord to the AC Socket on the back of the CD-490
2. Insert the power cord to the AC Socket (#23).
3. Connect the power cord to AC power source.
4. When the unit is operated from AC power source, the internal battery source will automatically be disconnected.



CAUTION:

TO PREVENT ELECTRIC SHOCK, MATCH WIDE BLADE OF PLUG TO WIDE SLOT. FULLY INSERT.

RADIO RECEPTION

1. Set the Function Selector (# 4) to "RADIO".
2. Set the Band Selector (# 7) to "AM" or "FM" for the desired radio band.
3. Turn the Tuning Knob (# 8) to select the desired radio station.
4. Adjust the Volume Control (# 5) to obtain the desired sound level from the Built-in Speakers.
5. To turn the Radio off, set the Function Selector (# 4) to the "OFF" position.

TIPS FOR BEST RADIO RECEPTION

1. To insure maximum FM tuner reception, the Telescopic Antenna (#2) should be fully extended and rotated to obtain the best possible station reception.
2. The AM antenna is built into the unit. When tuning in AM reception, be sure to place the unit in a vertical position. To insure best AM reception, try repositioning the unit until the best station reception is obtained.


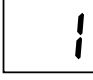
CD PLAYER OPERATION

Note: This CD player will not only play commercial CDs, but also self-compiled CD-R/RW discs. Do not attempt to play CD-ROM, CDI, VCD, DVD or computer CDs.

Notes on CD-R/RW Discs

- Because of non-standardized format definition/production of CD-R/RW, playback quality and performance are not guaranteed.
- Manufacturer is not responsible for the playability of CD-R/RW due to recording conditions such as PC performance, writing software, media ability, etc.
- Do not attach a label or seal to either side of the CD-R/RW disc. It may cause a malfunction.

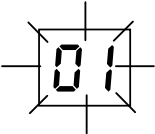

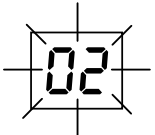
PLAYING A CD

1. Open the CD Door (# 3) by pressing down where the OPEN/CLOSE is indicated on the CD Door (# 3).
2. Carefully place an audio CD with its label side upward in the CD compartment and close the CD Door by pressing on the CD Door (# 3) where OPEN/CLOSE is indicated on the CD Door (# 3).
3. Set the Function Selector (# 4) to the "CD" position. The POWER Indicator (# 14) will light. The LED Display (# 16) will briefly display flashing "- -" and then the total number of tracks on the CD will appear in the LED Display (# 16) after a few seconds. 
4. Press the CD Play/Pause ►|| Button (#18). The Play/Pause Indicator (# 20) will light steadily and the CD will start playing from the first track. 
5. Adjust the Volume Control (# 5) to obtain the desired sound level from the Built-in Speakers.
6. To pause playback, press the CD Play/Pause ►|| Button (#18). The Play/Pause Indicator (#20) will flash. To resume playing, press the CD Play/Pause ►|| Button (# 18) again.
7. You can choose to play your favorite track directly by pressing either the Skip Forward ►►| Button (# 19) or Skip Backward |◄◄ Button (# 17). The LED Display (# 18) will indicate the correct track number selected.
8. To locate a particular section within a track, press and hold the CD Search Forward ►►| Button (# 19) or CD Search Backward |◄◄ Button (# 17) until the section is found. Release the button to continue playing your selection.
9. To repeat a particular track, press the CD Repeat Button (#11) until the CD Repeat Indicator (# 13) flashes.
10. To repeat the entire CD, press the CD Repeat Button (#11) until the CD Repeat Indicator (#13) light steadily.
11. To stop playing, press the CD Stop ■ Button (#10).
12. When you wish to turn off the CD Player, set the Function Selector (# 4) to the "OFF" position. The Power Indicator (# 14) will go off.

CD PROGRAMMED PLAY

This function allows the tracks to be played in a programmed sequence.

NOTE: Program can only be set in STOP mode.

1. In CD stop mode, press the Program Button (# 9) once. Program No. "01" will appear and blink in the LED Display (#16). 
2. Press the CD Skip Forward ►►| Button (# 19) or CD Skip Backward |◄◄ Button (# 17) to select the song to be programmed. For example track 5 is selected. 
3. Press the Program Button (#9) again to store selection. The LED Display (#16) will go to "02" and blink to prompt for input.
4. Press the CD Skip Forward ►►| Button (# 19) or CD Skip Backward |◄◄ button (# 17) to select the next song to be programmed and press the CD Program Button (# 9) to store the second selection. 

5. You can repeat steps #2 - #4 to program up to 20 tracks. The programmed tracks will be shown in the LED Display (#16) one by one in the programmed sequence after the 20th selection has been stored.
6. To check the programmed tracks, press the Program Button (#9) repeatedly until the last Program No. appears and flashes in the Display and then press the Program Button (#9) once again. The programmed tracks will be displayed one by one in the programmed sequence.
7. Press the CD Play/Pause ►|| Button (#18) to start playing in the programmed sequence. The Program Indicator (#14) will light steadily. To stop programmed play, press the CD Stop ■ Button (#10).
 - After all the programmed tracks have been played the player stops but the program remains in the memory.
 - Press the Play/Pause ►|| Button (#18) to begin programmed playback again.
8. Normally all the programmed tracks will be played through once and then stop. However, you can use the Repeat function to repeatedly play a certain track (Repeat 1) or all tracks in the program (Repeat All). You can also tap the CD Skip Forward ►►| Button (#19) to go directly to other tracks ahead or use CD Skip Backward |◄◄ Button (#17) to go back to previous track(s) during program play.
9. To review/edit the programmed tracks during play, press the CD Stop ■ Button (#10) and then the CD Program Button (#9), "01" will show in the LED DISPLAY (#16) and Program Indicator (#12) will both flash. If you do not want to change any track in the program, press CD Stop ■ Button (#10).
10. To edit a programmed track, use the CD Skip Forward ►►| Button (#19) or CD Skip Backward |◄◄ Button (#17) to select a new track and press CD Program Button (#9) to confirm. To skip forward, press CD Program Button (#9) until you reach the program number of the track you want to change.
11. To cancel program play, press the CD Stop ■ Button (#10) twice while program playback is running or open the CD Door (#3) in stop mode. The Program Indicator (#12) will go off.

AUX IN OPERATION

You can play other music sources (MP3 or other digital audio players) through the speakers of this player by connecting the AUX IN Jack (#22) to your external player's audio out jack or headphone jack.

1. Plug one end of an audio cable (not included) into the AUX IN Jack (#22) and the other end of the cable to the headphone jack of your digital audio player.
2. Set the Function Selector (#4) to "AUX IN".
3. Start playing the device you plugged into the AUX IN Jack (#22).
4. Slowly adjust both the volume controls of your CD-490 and the external device.
5. Turn off your iPod, MP3 player etc. when finish listening.
6. Set the Function Selector (#4) to the "OFF" position to turn CD-490 off and unplug the AUX IN Jack.

USING HEADPHONES (NOT INCLUDED)

Inserting the plug of your headphones into the Stereo Headphone Jack (#15) will enable you to listen to the CD or Radio music in private. When using headphones, the Built-in Speakers will be disconnected.

READ THIS IMPORTANT INFORMATION BEFORE USING YOUR HEADPHONES

1. Avoid extended play at very high volume as it may impair your hearing.
2. If you experience ringing in your ears, reduce the volume or shut off your unit.
3. Do not use while driving a motorized vehicle. This is dangerous and also illegal in some states.
4. Keep the volume at a reasonable level even if your headset is an open-air type designed to allow you to hear outside sounds. Please note excessive high volume may still block outside sounds.

CARE AND MAINTENANCE

1. Clean your unit with a damp (never wet) cloth. Solvent or detergent should never be used.
2. Avoid leaving your unit in direct sunlight or in hot, humid or dusty places.
3. Keep your unit away from heating appliances and sources of electrical noise such as fluorescent lamps or motors.
4. If drop-outs or interruptions occur in the music during CD play, or if the CD fails to play at all, its bottom surface may require cleaning. Before playing, wipe the disc from the center outwards with a good soft cleaning cloth.



TROUBLESHOOTING GUIDE

If you experience difficulties in the use of this music system, please check the following or call 1-800-777-5331 for Customer Service.

| Symptom | Possible Cause | Solution |
|--|--|---|
| Noise or sound distorted on AM or FM broadcast | Station not tuned properly for AM or FM. FM: Telescopic antenna is not fully extended. AM: Internal antenna is not positioned correctly | Fine tune the AM or FM broadcast station. FM: Fully extend the FM Telescopic antenna. AM: Reposition the unit until the best reception is obtained. |
| AM or FM no sound | Unit not in Tuner mode, AM or FM band. Volume at minimum | Slide function selector to select AM or FM. Increase Volume |
| CD player will not play | Unit not in CD function mode. CD is installed incorrectly. If the CD is self-compiled, the media used may not be compatible with the player. | Select CD function mode. Insert CD with label side up. Use better quality blank media and retest. |
| CD skips while playing | Disc is dirty or scratched. | Wipe CD with clean cloth or use another disc. |
| Intermittent sound from CD Player | Dirty or defective disc. Dirty pick up lens. Player is subject to excessive shock or vibration | Clean or replace the defective disc. Use a CD-lens cleaning disc to clean the lens. Relocate the player away from shock or vibration |

SPECIFICATIONS

Power Requirement: AC120V 60Hz 14W
 Battery (Not included): DC1.5V 'C' (UM2) x 8
 Frequency Range: FM 88-108MHz
 AM: 530-1710KHz



At Spectra, environmental and social responsibility is a core value of our business. We are dedicated to continuous implementation of responsible initiatives with an aim to conserve and maintain the environment through responsible recycling.

Please visit us at <http://www.spectraintl.com/green.htm> for more information on Spectra's green initiatives or to find a recycler in your area.

90 DAY LIMITED WARRANTY AND SERVICE VALID IN THE U.S.A. ONLY

SPECTRA MERCHANDISING INTERNATIONAL, INC. warrants this unit to be free from defective materials or factory workmanship for a period of 90 days from the date of original customer purchase and provided the product is utilized within the U.S.A. This warranty is not assignable or transferable. Our obligation under this warranty is the repair or replacement of the defective unit or any part thereof, except batteries, when it is returned to the SPECTRA Service Department, accompanied by proof of the date of original consumer purchase, such as a duplicate copy of a sales receipt.

You must pay all shipping charges required to ship the product to SPECTRA for warranty service. If the product is repaired or replaced under warranty, the return charges will be at SPECTRA's expense. There are no other express warranties other than those stated herein.

This warranty is valid only in accordance with the conditions set forth below:

1. The warranty applies to the SPECTRA product only while:
 - a. It remains in the possession of the original purchaser and proof of purchase is demonstrated.
 - b. It has not been subjected to accident, misuse, abuse, improper service, usage outside the descriptions and warnings covered within the user manual or non-SPECTRA approved modifications.
 - c. Claims are made within the warranty period.
2. This warranty does not cover damage or equipment failure caused by electrical wiring not in compliance with electrical codes or SPECTRA user manual specifications, or failure to provide reasonable care and necessary maintenance as outlined in the user manual.
3. Warranty of all SPECTRA products applies to residential use only and is void when products are used in a nonresidential environment or installed outside the United States.

This warranty gives you specific legal rights, and you may also have other rights which vary from state to state. TO OBTAIN SERVICE please remove all batteries (if any) and pack the unit carefully and send it freight prepaid to SPECTRA at the address shown below. IF THE UNIT IS RETURNED WITHIN THE WARRANTY PERIOD shown above, please include a proof of purchase (dated cash register receipt) so that we may establish your eligibility for warranty service and repair of the unit without cost. Also include a note with a description explaining how the unit is defective. A customer service representative may need to contact you regarding the status of your repair, so please include your name, address, phone number and email address to expedite the process.

IF THE UNIT IS OUTSIDE THE WARRANTY PERIOD, please include a check for **\$20.00** to cover the cost of repair, handling and return postage. All out of warranty returns must be sent prepaid.

It is recommended that you contact SPECTRA first at 1-800-777-5331 or by email at custserv@spectraintl.com for updated information on the unit requiring service. In some cases the model you have may be discontinued, and SPECTRA reserves the right to offer alternative options for repair or replacement.

SPECTRA MERCHANDISING INTERNATIONAL, INC.
4230 North Normandy Avenue,
Chicago, IL 60634, USA.
1-800-777-5331

To register your product, visit the link on the website below to enter your information.
<http://www.spectraintl.com/wform.htm>

0413

Printed in China