

KRUPS

GX5000

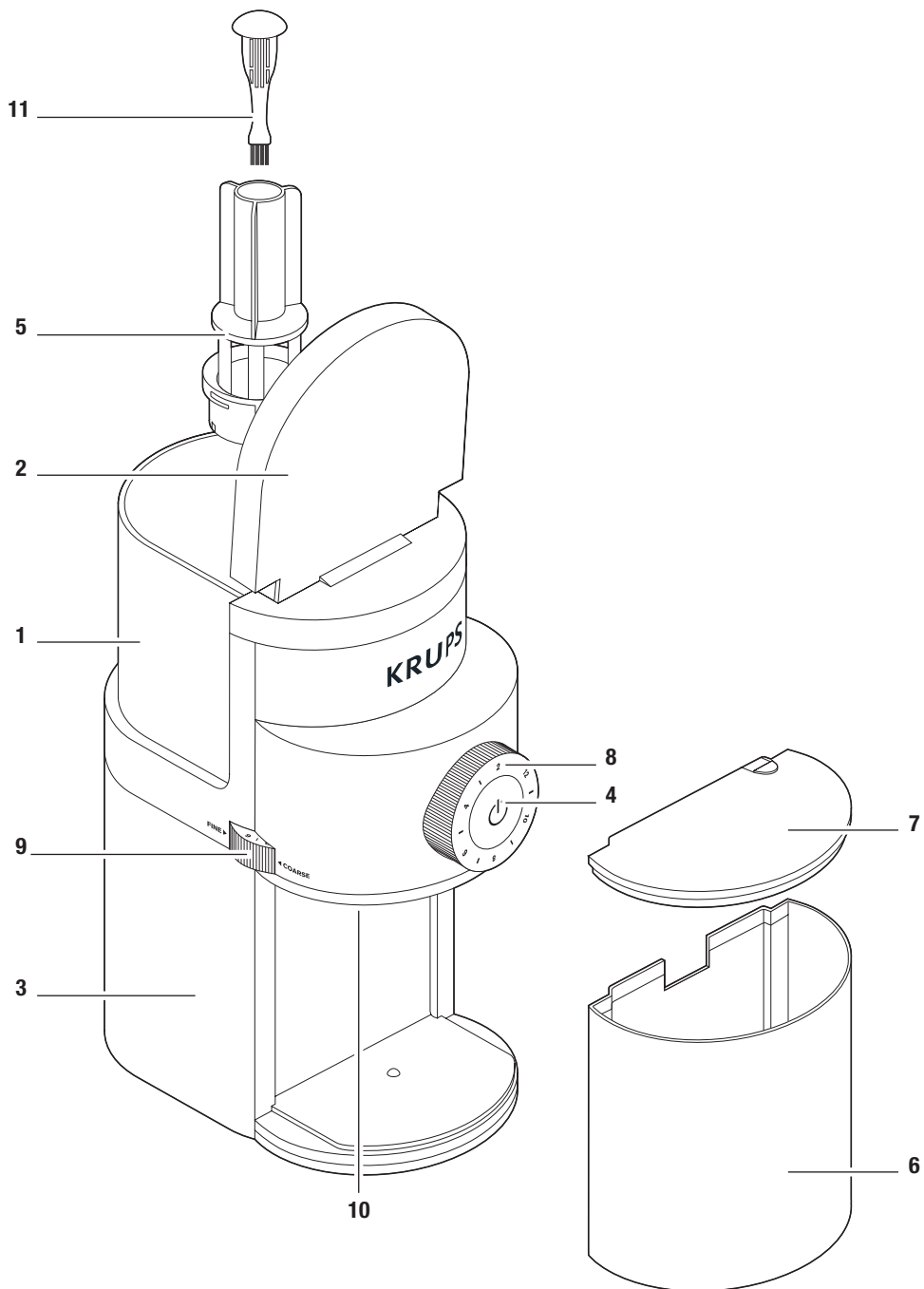


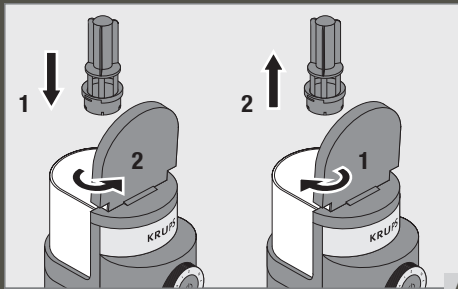
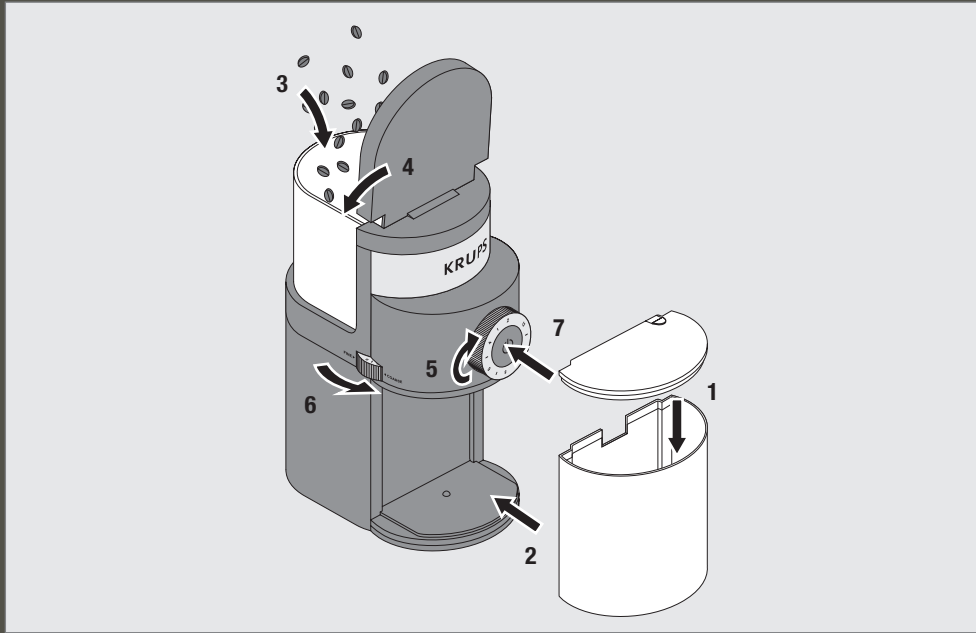
www.krups.com

EN

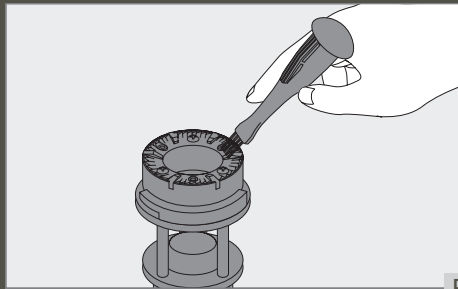
FR

ES

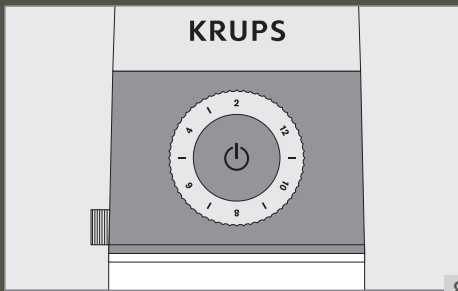




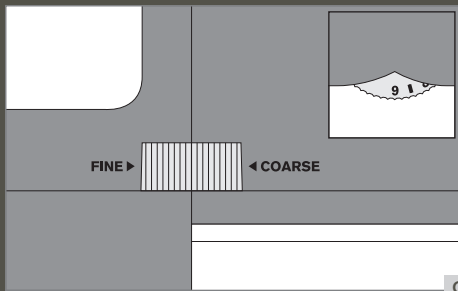
A



B



8



9

IMPORTANT SAFEGUARDS

When using electrical appliances, basic safety precautions should always be followed:

1. Read all instructions before using the burr grinder.
2. To protect against risk of electrical shock, do not immerse cord, plug, or any non-removable parts in water or other liquids.
3. Close supervision is necessary when any appliance is used by or near children.
4. Unplug from outlet when not in use, before putting on or taking off parts, and before cleaning. To unplug, grasp plug and pull from electrical outlet. Never pull cord.
5. Avoid contact with moving parts.
6. To reduce the risk of severe injury to persons or damage to the appliance, keep hands and utensils out of the bean hopper while grinding, and when the appliance is plugged in.
7. Do not operate the grinder with a damaged cord or plug or after the appliance malfunctions, or is dropped or damaged in any manner. In this case, return the appliance to the KRUPS approved Service Center for examination, repair, or electrical or mechanical adjustment.
8. The use of attachments not recommended or sold by KRUPS may cause fire, electric shock or injuries.
9. Do not use outdoors.
10. Do not let cord hang over edge of table or counter or touch hot surfaces, including the stove.
11. Check hopper for presence of foreign objects before using.
12. Always operate the burr grinder with the lid securely in place.
13. Do not place on or near a hot gas or electric burner or in a heated oven.
14. Do not operate the appliance when empty.
15. This product has been designed for domestic use only. Any professional use, inappropriate use or failure to comply with the instructions will void the manufacturer's Warranty.

SAVE THESE INSTRUCTIONS

POLARIZED PLUG

This appliance has a polarized plug (one blade is wider than the other), to reduce the risk of electrical shock. This plug will fit into a polarized outlet only one way. If the plug does not fit fully into the outlet, reverse the plug. If it still does not fit, contact a qualified electrician. Do not modify the plug in any way.

Thank you for choosing an appliance from KRUPS.

DESCRIPTION

- | | |
|---------------------------------|--|
| 1 Coffee bean hopper | 7 Ground coffee holder lid |
| 2 Coffee bean hopper lid | 8 Number of cups selector |
| 3 Body | 9 Ground coffee fineness selector |
| 4 ON/OFF switch | 10 Ground coffee dispenser |
| 5 Removable upper burr | 11 Cleaning brush |
| 6 Ground coffee holder | |

TECHNICAL CHARACTERISTICS

Rated power	110 W
Frequency	60 Hz
Rated voltage	120 V~

ABOUT GRINDING COFFEE

The proper grind gives the most flavorful cup of coffee. The grind depends on the method by which the coffee is to be brewed. Generally, the finer the grind the more quickly the coffee should be prepared. That is why coffee ground for use in an espresso machine is much finer than coffee to be brewed in a drip system.

Coffee that is ground too fine for a particular brewing process – (fine espresso grind used in an automatic drip coffee machine) will result in over-extraction and bitter, pungent tasting coffee. Conversely, coffee that is too coarse for a particular brew method will result in under-extraction and weak, watery coffee. If the correct grind is used, adding more coffee simply makes a brew stronger without making it bitter.

In addition to providing a number of grind settings, coffee grinders provide a consistent grind. This is important to ensure the extraction is consistent across all of the ground coffee particles.

BEFORE FIRST USE

Before using the coffee grinder, wipe the housing and bean hopper with a clean damp cloth. Wash the ground coffee holder and the ground coffee holder lid in hot soapy water, then rinse and dry.

OPERATING THE COFFEE GRINDER

1. **Make certain the coffee grinder is unplugged.** Fit the ground coffee holder (6) and its lid (7) in their correct positions. Check that the assembly is correctly positioned in the body (3).
2. Open the lid of the coffee bean hopper (2) and fill the bean hopper (1) to the level desired. Do not fill above the “max.” level. Close the lid.

NOTE: This product is designed to grind whole bean coffee only.

3. Set the quantity of ground coffee by positioning the number of cups selector (8) according to the desired quantity.
4. Set the ground coffee fineness level by adjusting the ground coffee fineness selector (9) to the desired level. (see § Practical Hints)
5. Insert the plug into an electrical socket (voltage: 120 volts ~ 60 Hz).
6. Press the ON/OFF switch (4) to start the appliance.
7. Once the selected quantity has been ground, the appliance will stop automatically.
8. If you want to stop the appliance before grinding is complete, press the ON/OFF switch (4).

9. Remove the ground coffee holder, tap the receptacle gently, remove the lid and pour the ground coffee into the filter of the coffee maker or use a measuring spoon.
10. To obtain additional ground coffee, repeat the operating cycle. Always first make sure that the ground coffee does not go above the “max.” level of the ground coffee holder (6).

Selected settings will be retained from one use to the next.



IMPORTANT!

For your appliance to run correctly, make certain that:

- **The lid to the coffee-bean hopper (2) is correctly closed.**
- **The ground coffee holder (6) and its lid (7) are correctly placed in the body of the appliance.**
- **This appliance is equipped with an overheat protective device. If the appliance overheats, it will switch off automatically. In this case leave it to cool for 30 minutes. Then restart by pressing the ON/OFF switch.**

PRACTICAL HINTS

- It is best to store coffee beans in a dry, cool place. Beans should be kept in an opaque, airtight container.
- Grind the coffee just prior to brewing it.

Advice to select the level of fineness for your ground coffee.

- Use the fineness selector (9) to adjust the grind according to the type of coffee maker.
- Generally, the quicker the water goes through the ground coffee, the finer the ground coffee should be.
A “medium” ground is thus suited to making filter coffee while a “very fine” ground is needed to make an Espresso.
- For the first use, we suggest that you use an intermediate position and then adjust the setting to your taste. Once you have used the appliance a few times, you will find the ideal grind setting to suit your taste and brew method.
- **Do not change the grind setting while the appliance is running.**
- **Do not store the coffee bean or powder in the coffee holder or dispenser over 24 hours.**

GRIND	TYPE OF COFFEE MAKER
Fine	Espresso
Medium/Fine	Auto Drip w/ Permanent Filter
Medium	Auto Drip w/ Permanent Filter
Medium/Coarse	Percolator
Coarse	French Press

Advice to select the number of cups

- Use the number of cups selector (8) to program the quantity of ground coffee you want.
- The more cups you select, the longer the appliance will run.
- The mill grinds 1/4 oz. of coffee per cup selected.

MAINTENANCE

- To keep all your coffee's aroma and to avoid a degradation of the ground coffee, empty the ground coffee holder after each use.
- Always disconnect the grinder before cleaning.
- Never place the grinder, power supply cord or plug in water or under running water.
- Do not use strong detergents or abrasive pads to clean the appliance.
- Clean the lids and the ground coffee holder in warm, soapy water.
- To remove the upper burr (5), set the fineness selector (9) to the fine position then take hold of the winglets of the upper mill with your fingers and turn clockwise, then raise it vertically to remove. (Fig. A)
- Clean the upper burr with the cleaning brush (11). (Fig. B)
- Carefully clean the inside of the coffee-bean hopper (1) with a damp cloth.
- To replace the upper burr, set the fineness selector (9) to the coarse position, insert the burr and turn it once in the counter-clockwise direction. (Fig. A)
- Carefully clean the ground coffee dispenser (10) and the body of the appliance with a damp cloth.

TROUBLE SHOOTING GUIDE

The appliance does not work.	Check the electrical connection.
	The lid of the coffee bean hopper is not correctly closed.
	The ground coffee holder is not correctly positioned or the lid is not correctly positioned or is not in place.
The appliance stops during operation.	<p>The appliance has overheated. The overheat protection mechanism has been activated. Unplugged the appliance. Detach the upper burr for cleaning and remove any obstacle. Leave the appliance to cool down for 30 minutes before next use. If the appliance is still not working, you have to contact an approved service center.</p> <p>Causes of overheating to be avoided: The maximum capacity of beans in the bean hopper, or the maximum capacity of ground coffee in the ground coffee holder has been exceeded.</p>
The fineness selector does not work anymore.	Check that the upper burr is correctly positioned. (See paragraph concerning the maintenance in the manual).

KRUPS INTERNATIONAL LIMITED GUARANTEE



: www.krups.com

This product is repairable by KRUPS during and after the warranty period.

KRUPS endeavours to keep most of the stock of the spare parts available for the repair of your product for up to 5 to 7 years on average, from the last date of production.

Accessories, consumables and end-user replaceable parts can be purchased, if locally available, as described on the KRUPS internet site www.krups.com

The Guarantee

This product is guaranteed by KRUPS (company address and details included in the country list of the KRUPS International Guarantee) against any manufacturing defect in materials or workmanship for a period of 2 years starting from the initial date of purchase. The international manufacturer's guarantee by KRUPS is an extra benefit which does not affect consumer's Statutory Rights. The international manufacturer's guarantee covers all costs related to restoring the proven defective product so that it conforms to its original specifications, through the repair or replacement of any defective part and the necessary labour. At KRUPS's choice, a replacement product may be provided instead of repairing a defective product. KRUPS's sole obligation and your exclusive resolution under this guarantee are limited to such repair or replacement.

Conditions & Exclusions

The international KRUPS guarantee only applies within the guarantee period and for those countries listed in the country list attached and is valid only on presentation of a proof of purchase. The product can be taken directly in person to an authorised service centre or must be adequately packaged and returned, by recorded delivery (or equivalent method of postage), to a KRUPS authorised service centre. Full address details for each country's authorised service centres are listed on KRUPS website (www.krups.com) or by calling the appropriate telephone number as set out in the country list to request the appropriate postal address. KRUPS shall not be obliged to repair or replace any product which is not accompanied by a valid proof of purchase.

This guarantee will not cover any damage which occurs as a result of misuse, negligence, failure to follow KRUPS instructions, use on current or voltage other than as stamped on the product, or a modification or unauthorised repair of the product. It also does not cover normal wear and tear, maintenance or replacement of consumable parts, or the following :

- using the wrong type of water or consumable
- ingress of water, dust or insects into the product
- scaling (any de-scaling must be carried out according to the instructions for use)
- mechanical damages, overloading
- damages or poor results due to wrong voltage or frequency
- accidents including fire, flood, thunderbolt, etc
- professional or commercial use
- damage to any glass or porcelain ware in the product

This guarantee does not apply to any product that has been tampered with, or to damages incurred through improper use and care, faulty packaging by the owner or mishandling by any carrier.

In order to offer the best possible after-sales service and constantly improve customer satisfaction, KRUPS may send a satisfaction survey to all customers who have had their product repaired or exchanged in a KRUPS authorised service centre. The international KRUPS guarantee applies only for products purchased in a of the countries listed, and used for domestic purposes only in a of the countries listed on the country list. Where a product purchased in a listed country and then used in another listed country :

- a) The international KRUPS guarantee does not apply in case of non conformity of the purchased product with the local standards, such as voltage, frequency, power plugs, or other local technical specifications.
- b) The repair process for products purchased outside the country of use may require a longer time if the product is not locally sold by KRUPS.
- c) In cases where the product is not repairable in the new country, the international KRUPS guarantee is limited to a replacement by a similar product or an alternative product at similar cost, where possible.

Consumer Statutory Rights

This international KRUPS guarantee does not affect the statutory rights a consumer may have or those rights that cannot be excluded or limited, nor rights against the retailer from which the consumer purchased the product. This guarantee gives a consumer specific legal rights, and the consumer may also have other legal rights which vary from State to State or Country to Country. The consumer may assert any such rights at his sole discretion.

Date of purchase:
Product reference:
Retailer name and address:
Distributor stamp:

IMPORTANTES MISES EN GARDE

Lorsque vous utilisez des appareils électriques, des précautions de base pour la sécurité doivent toujours être respectées:

1. Lisez attentivement le mode d'emploi avant d'utiliser le broyeur à café.
2. Afin de prévenir les risques de feu, de décharge électrique, n'immergez pas le cordon ou la fiche ou aucune partie démontable dans de l'eau ou un autre liquide.
3. Une surveillance étroite s'impose si l'appareil est utilisé par ou près des enfants.
4. Débranchez l'appareil de la prise de courant si vous ne l'utilisez pas, avant d'installer ou d'enlever des pièces et avant le nettoyage.
5. Évitez de toucher aux pièces mobiles.
6. Pour éviter les risques de blessures graves ou d'endommager l'appareil, maintenez les mains et les ustensiles à l'écart du compartiment à grains lorsque l'appareil fonctionne ou lorsqu'il est branché.
7. N'utilisez pas le moulin à café si son cordon ou sa prise est endommagé ou suite au fonctionnement défectueux de l'appareil, s'il tombe par terre ou est endommagé de quelque manière que ce soit.
8. L'utilisation d'accessoires non recommandés ni vendus par KRUPS peut causer un feu, des décharges électriques ou des blessures.
9. N'utilisez pas l'appareil à l'extérieur.
10. Ne laissez pas pendre le cordon d'une table ou d'un comptoir, ne le laissez pas entrer en contact avec une surface chaude, y compris un four.
11. Vérifiez si la trémie contient des corps étrangers avant d'utiliser le moulin.
12. Faites toujours fonctionner le broyeur à café avec le couvercle solidement en place.
13. Ne mettez pas l'appareil sur ou près d'un brûleur de gaz ou électrique chaud ou dans un four chaud.
14. Ne faites pas fonctionner l'appareil quand il est vide.
15. Cet appareil est destiné uniquement à un usage domestique à l'intérieur de la maison. Une utilisation professionnelle ou non conforme au mode d'emploi annulerait la garantie.

CONSERVEZ CES INSTRUCTIONS

PRISE POLARISÉE

L'appareil possède une fiche polarisée (une lame est plus large que l'autre). Pour réduire les risques de décharge électrique, cette fiche ne s'adapte que d'une seule façon dans la prise polarisée. Si la fiche s'y adapte mal, mettez-la dans l'autre sens. Si elle s'y adapte encore mal, adressez-vous à un électricien qualifié. Ne tentez pas de modifier ce dispositif de sécurité.

Nous vous remercions d'avoir choisi un appareil KRUPS.

DESCRIPTION

- | | | | |
|---|------------------------------------|----|-----------------------------------|
| 1 | Compartiment à grains | 7 | Couvercle du réceptacle à mouture |
| 2 | Couvercle du compartiment à grains | 8 | Sélecteur du nombre de tasses |
| 3 | Boîtier de l'appareil | 9 | Sélecteur de finesse de mouture |
| 4 | Interrupteur O/I (marche-arrêt) | 10 | Orifice de sortie de la mouture |
| 5 | Meule supérieure amovible | 11 | Brosse de nettoyage |
| 6 | Réceptacle à mouture | | |

CARACTÉRISTIQUES TECHNIQUES

Puissance	110 W
Fréquence	60 Hz
Tension	120 V~

À PROPOS DE LA MOUTURE DU CAFÉ

L'arôme du café dépend de la qualité de la mouture. Celle-ci dépend de la TORRÉFACTION du café. En général, plus la mouture est fine, plus le café passe rapidement. C'est pourquoi la mouture utilisée pour une cafetière espresso est plus fine que la mouture utilisée pour une cafetière filtre.

Un café moulu trop fin destiné à une cafetière espresso donnera dans une cafetière filtre un café au goût amer. À l'inverse, une mouture plus grossière donnera un café sans saveur. Si vous avez choisi la mouture adaptée à votre cafetière, le simple fait d'augmenter la quantité de mouture donnera un café plus fort mais sans aucune amertume.

AVANT UNE PREMIÈRE UTILISATION

Avant une première utilisation, passez un linge humide propre sur le boîtier et le compartiment à grains. Lavez le réceptacle à mouture et son couvercle dans de l'eau chaude savonneuse, ensuite rincez et séchez. Nettoyez l'intérieur du compartiment à grains **(1)** avec un chiffon humide.

UTILISATION DE L'APPAREIL

1. Assurez-vous que le moulin à café est débranché. Placez le réceptacle à mouture **(6)** et son couvercle **(7)** dans leur emplacement. Assurez-vous que l'ensemble est correctement installé sur le boîtier **(3)**.
2. Soulevez le couvercle de la trémie à grains **(2)** et remplissez la trémie à grains jusqu'au niveau désiré **(1)**. Ne dépassez pas le niveau «max.». Fermez le couvercle.
3. Réglez la quantité de mouture désirée en positionnant le sélecteur du nombre de tasses **(8)** selon la quantité désirée.

4. Réglez la mouture en réglant le sélecteur de mouture **(9)** au niveau désiré. (voir § Conseils pratiques et recommandations).
5. Branchez la fiche sur une prise électrique (tension: 120 volts ~ 60 Hz).
6. Appuyez sur l'interrupteur O/I **(4)** pour faire fonctionner l'appareil.
7. Dès que la quantité sélectionnée a été moulue, l'appareil s'arrêtera automatiquement.
8. Si vous voulez arrêter l'appareil avant que la mouture ne soit terminée, appuyez sur le bouton ON/OFF **(4)**.
9. Ôtez le réceptacle à mouture et tapez légèrement sur le réceptacle puis retirez le couvercle et versez la mouture obtenue directement dans le filtre de la cafetière filtre ou à l'aide d'une cuillère à mesurer pour une cafetière Espresso.
10. Pour obtenir une quantité supplémentaire de mouture, vous pouvez répéter un cycle de fonctionnement en appuyant de nouveau sur l'interrupteur O/I **(4)**. Assurez-vous toujours préalablement que la mouture ne dépasse pas le niveau « max. » du réceptacle à mouture **(6)**.

Les réglages sélectionnés sont conservés d'une utilisation à l'autre.



Attention !

Pour que votre appareil fonctionne, assurez-vous que :

- **Le couvercle de trémie à grains (2) est bien fermé.**
- **Le réceptacle à mouture (6) et son couvercle (7) sont correctement placés dans le corps de l'appareil.**
- **Cet appareil est muni d'un dispositif de protection contre le surchauffage. Si l'appareil surchauffe, il s'éteindra automatiquement. Dans ce cas, laissez-le se refroidir pendant 30 minutes. Ensuite, redémarrez-le en appuyant sur le bouton ON/OFF.**

CONSEILS PRATIQUES

- Conservez votre café en grains dans un récipient hermétique au réfrigérateur.
- Pour préserver tout l'arôme de votre café, il est recommandé de le moulin quelques instants juste avant de le préparer.

Conseils pour sélectionner la mouture

- Le sélecteur de mouture **(9)** vous permet d'ajuster la finesse de votre mouture selon le type de cafetière que vous utilisez et selon vos goûts personnels.
- Généralement, plus le passage de l'eau dans la mouture est rapide, plus la mouture doit être fine pour en extraire les arômes. Une mouture « médium » convient donc pour la préparation d'un café filtre, une mouture « très fine » est nécessaire pour la préparation d'un Espresso.
- Lors d'une première utilisation, il est conseillé de sélectionner un réglage intermédiaire dans la zone « Espresso » ou « Drip » selon votre type de cafetière et de régler par la suite le degré de finesse selon votre goût. Après quelques utilisations, vous trouverez la mouture idéale qui vous convient.
- **Ne modifiez pas le degré de finesse quand l'appareil est en cours de fonctionnement.**
- Si vous utilisez le degré de finesse le plus fin, il est recommandé de nettoyer fréquemment la meule supérieure ainsi que l'orifice de sortie de la mouture **(10)**. (voir § Entretien)
- **N'emmagasinez pas de grains de café ou de café moulu dans le réceptacle à mouture au-delà de 24 heures.**

Conseils d'utilisation de la mouture

MOUTURE	TYPE DE CAFETIÈRE
Fine	Espresso
Moyenne/Fine	Avec filtre permanent
Moyenne	Avec filtre permanent
Moyenne /grossière	Percolateur
Grossière	À piston

Conseils pour sélectionner le nombre de tasses

- Le sélecteur du nombre de tasses **(8)** permet de programmer la quantité de mouture souhaitée.
- Plus le nombre de tasses que vous sélectionnez est élevé, plus le temps de fonctionnement de l'appareil sera long.
- Le moulin broie 1/4 d'once de café par tasse sélectionnée.

ENTRETIEN

- Pour que votre café conserve toute son arôme et pour éviter la dégradation du café moulu, lavez le réceptacle à mouture après chaque utilisation.
- Débranchez toujours votre appareil avant de le nettoyer.
- Ne mettez jamais le boîtier, le cordon ou la prise de votre appareil dans l'eau ou sous l'eau courante.
- N'utilisez pas de détergents trop puissants ou de tampons abrasifs pour nettoyer l'appareil.
- Nettoyez les couvercles et le réceptacle à mouture dans une eau tiède savonneuse.
- Pour enlever la meule supérieure amovible **(5)**, réglez le sélecteur de mouture **(9)** à la position minimum puis saisissez avec les doigts les ailettes de la meule supérieure, tournez la dans le sens des aiguilles d'une montre et soulevez-la **(Fig. A)**.
- Nettoyez soigneusement l'intérieur du compartiment à grains **(1)** avec un chiffon humide.
- Pour replacer la meule supérieure, placez le sélecteur **(9)** à la position maximum, positionnez la meule supérieure amovible et tournez dans le sens contraire des aiguilles d'une montre **(Fig. A)**.
- Nettoyez la meule supérieure avec la brosse de nettoyage **(11)** **(Fig. B)**.
- Nettoyez soigneusement l'intérieur de la trémie à grains **(1)** avec un chiffon humide.
- Nettoyez soigneusement l'orifice de sortie de la mouture et le corps de l'appareil avec un chiffon humide.
- Séchez soigneusement l'ensemble des pièces et remettez-les en place.

GUIDE DE DÉPANNAGE

Le moulin à café ne fonctionne pas.	Vérifier le branchement.
	Le couvercle de la trémie à grains n'est pas bien fermé.
	Le réceptacle à mouture n'est pas bien positionné ou le couvercle n'est pas bien installé ou n'est pas en place.
Le moulin s'arrête en cours de fonctionnement	<p>L'appareil est en surchauffe. Le dispositif de protection contre le surchauffage a été activé. Débranchez l'appareil. Retirez la meule supérieure pour le nettoyer et enlevez tout obstacle. Laissez l'appareil se refroidir pendant 30 minutes avant sa prochaine utilisation. Si l'appareil ne fonctionne toujours pas, vous devez contacter un service après-vente agréé.</p> <p>Causes de surchauffe pouvant être évitées :</p> <p>La capacité maximum de grains dans le compartiment à grains ou la capacité maximum de mouture dans le réceptacle à mouture n'ont pas été respectées.</p>
Le sélecteur de finesse de la mouture ne fonctionne pas.	Assurez-vous que la meule est bien installée (voir le paragraphe concernant l'entretien dans le manuel).

KRUPS GARANTIE INTERNATIONALE



: www.krups.com

Ce produit est réparable par KRUPS, pendant et après la période de garantie
KRUPS s'efforce de conserver la plus grande partie du stock de pièces disponible pour la réparation de vos produits pendant une durée moyenne de 5 à 7 ans, après la dernière date de fabrication.

Les accessoires, consommables, et autres pièces remplaçables directement par l'utilisateur, peuvent être achetés, si ils sont disponibles localement, tel que décrit sur le site internet www.krups.com.

La Garantie

Ce produit est garanti par KRUPS (adresse et contacts dans la liste des pays de la Garantie Internationale KRUPS) contre tout défaut de fabrication ou de matière, pendant 2 ans à partir de la date d'achat et dans les pays précisés, tels que définis dans la liste en dernière page du mode d'emploi. Cette Garantie Internationale du fabricant KRUPS vient en complément des droits des consommateurs. La Garantie Internationale du fabricant couvre tous les coûts de remise en état d'un produit reconnu défectueux pour redevenir conforme à ses spécifications d'origine, par la réparation, la main-d'oeuvre, et le remplacement éventuel de pièces défectueuses. Au choix de KRUPS, un produit de remplacement peut être proposé à la place de la réparation du produit défectueux. Les obligations de KRUPS dans le cadre de cette garantie se limitent exclusivement à cette réparation ou ce remplacement.

Conditions & Exclusions

La Garantie Internationale de KRUPS ne s'applique que pendant la période définie pour les pays cités dans la Liste des Pays jointe, et n'est valable que sur présentation d'un justificatif d'achat. Le produit peut être déposé directement chez un réparateur agréé, ou peut y être envoyé en recommandé après avoir été emballé de manière adéquate. La liste complète des réparateurs agréés dans chaque pays, avec leurs coordonnées complètes, est disponible sur le site de KRUPS (www.krups.com), ou en appelant le numéro du Service Consommateurs précisé dans la Liste des Pays. KRUPS n'a aucune obligation de réparer ou d'échanger un produit qui ne serait pas accompagné d'un justificatif d'achat. Cette garantie ne couvre pas les dommages qui seraient le résultat d'une mauvaise utilisation, d'une négligence, du non respect des instructions d'utilisation et de maintenance, de l'utilisation avec une alimentation électrique non conforme à celle spécifiée sur la plaque signalétique, ou d'une modification ou d'une réparation non autorisée du produit.

Elle n'inclut également pas l'usure normale du produit, ni la maintenance ou le remplacement de pièces consommables, ni les cas suivants :

- utilisation d'une eau ou d'un consommable non adapté
- entrée d'eau, de poussière, d'insectes dans le produit
- entartrage (tout détartrage doit être réalisé conformément aux instructions dans le mode d'emploi)

- usage professionnel ou sur un lieu de travail
- dommages dus à un choc, ou une surcharge
- verre ou céramique endommagé
- tous accidents liés à un feu, une inondation, la foudre, etc ...

Cette garantie ne s'applique pas aux produits choqués, ou aux dommages résultant d'une utilisation impropre ou sans entretien, aux problèmes d'emballage ou de transport pendant l'expédition du produit par son propriétaire. Afin d'offrir le meilleur service après-vente possible et d'améliorer constamment la satisfaction de ses clients, KRUPS pourra envoyer une enquête de satisfaction à tous ses clients dont le produit aura été réparé ou échangé par l'un des partenaires service agréés de KRUPS. La Garantie Internationale de KRUPS couvre exclusivement les produits achetés dans un des pays listés, et utilisés à des fins domestiques également dans un des pays listés dans Liste des Pays. En cas d'utilisation dans un pays différent du pays d'achat :

- a) La Garantie Internationale de KRUPS ne s'applique qu'en cas d'adéquation du produit avec les standards et normes locales, tels que le voltage, la fréquence électrique, le type de prise électrique, ou toute autre spécification locale.
- b) Le traitement de la Garantie Internationale peut prendre un temps supérieur aux conditions locales de réparation si la référence du produit n'est pas elle-même commercialisée par KRUPS dans le pays d'emploi.
- c) Au cas où le produit ne serait pas réparable dans le pays d'emploi, la Garantie Internationale de KRUPS est limitée au remplacement par un produit équivalent ou un produit alternatif de même valeur, si c'est possible.

Droits des Consommateurs

Cette Garantie Internationale de KRUPS n'affecte ni les droits légaux dont bénéficie tout consommateur localement, qui ne sauraient être exclus ou limités, ni les droits légaux envers un distributeur auprès de qui aurait été acheté un produit. Cette Garantie donne au consommateur des droits spécifiques, et le consommateur peut par ailleurs bénéficier des droits particuliers en fonction du Pays, de l'Etat ou de la Province. Le consommateur peut faire usage de ces droits de son seul fait.

Date d'achat :

Référence du produit :

Nom et adresse du vendeur :

Cachet distributeur :

PRECAUCIONES IMPORTANTES

Cuando utilice aparatos electrodomésticos, algunas precauciones de seguridad básica deben siempre seguirse:

1. Lea todas las instrucciones antes de utilizar el aparato.
2. Para protegerse contra el riesgo de un shock eléctrico, no sumerja el cable, el enchufe o cualquier otra parte en agua u otros líquidos.
3. Este aparato no se destina para utilizarse por personas (incluyendo niños) cuyas capacidades físicas, sensoriales o mentales sean diferentes o estén reducidas, o carezcan de experiencia o conocimiento, a menos que dichas personas reciban una supervisión o capacitación para el funcionamiento del aparato por una persona responsable de su seguridad. Los niños deben supervisarse para asegurar que ellos no empleen los aparatos como juguete.
4. Desenchufe el aparato del tomacorriente cuando no lo esté utilizando, antes de colocarle y retirarle piezas y antes de limpiarlo. Par desconectar, tome el enchufe y remueva del contacto. Nunca jale de cable.
5. Evite el contacto con las partes sueltas.
6. Para reducir el riesgo de heridas graves a personas o daños al aparato, deje las manos y los utensilios afuera del aparato mientras éste se encuentre en funcionamiento, y cuando esté conectado.
7. No use el molino si el cable o el enchufe están dañados, si su funcionamiento es defectuoso, si se ha caído al suelo o se ha dañado de forma alguna. En este caso, acuda con un centro de servicio autorizado Krups para que sea examinado y reparado con ajustes eléctricos y/o mecánicos.
8. El uso de accesorios no recomendados o vendidos por Krups pueden causar incendios, shocks eléctricos o heridas.
9. No utilice en exteriores.
10. No deje que el cable cuelgue sobre la mesa, o que toque superficies calientes, incluyendo la estufa.
11. Antes de usar el molino, compruebe que no hay ningún objeto extraño en la tolva.
12. Siempre ponga a funcionar con la tapa correctamente colocada en su lugar.
13. No coloque sobre o cerca de calentadores de gas o eléctricos o sobre la estufa caliente.
14. No opere cuando el aparato esté vacío.
15. Este producto ha sido diseñado para uso doméstico únicamente. Cualquier uso de tipo profesional, uso inapropiado o contra estas instrucciones, cancelará la garantía del fabricante.

GUARDE ESTAS INSTRUCCIONES

ENCHUFE POLARIZADO

Este aparato tien un enchufe polarizado (una clavija es más ancha que la otra), para reducir el riesgo de shock eléctrico.

Este enchufe entrará en el contacto solamente de una manera. Si no entra en el contacto, de vuelta el enchufe. Si todavía no entra, contacte a un electricista calificado. No modifique el enchufe de ninguna manera.

Gracias por adquirir un producto KRUPS.

DESCRIPCIÓN

- | | |
|-------------------------------|--------------------------------------|
| 1 Recipiente de café | 7 Tapa del contenedor de café molido |
| 2 Tapa del recipiente de café | 8 Selector del número de tazas |
| 3 Cuerpo | 9 Selector de finura de la molienda |
| 4 Botón On-Off | 10 Salida del café molido |
| 5 Muela superior removible | 11 Escobilla de limpieza |
| 6 Contenedor de café molido | |

CARACTERÍSTICAS TÉCNICAS

Potencia	110W
Frecuencia	60Hz
Tensión	120 V~

SOBRE MOLER CAFÉ

El molido perfecto nos ofrece una taza de café con gran aroma y sabor. La molienda depende del método en que se va a utilizar el café. Generalmente, mientras más fino es el molido, más rápido se preparará el café. Es por eso que el molido para un café espresso es mucho más fino que el café que se prepara en una cafetera de goteo.

El café que es molido muy finamente para un proceso de preparación especial (molido fino para espresso utilizado en una cafetera automática de goteo) resultará en una sobre-extracción y un sabor amargo. Por el contrario, si el molido es muy grueso resultará en una sub-extracción y un café débil y con mucha agua. Si se utiliza el nivel de molienda correcto, añadir más café simplemente hará que el producto sea más fuerte sin hacerlo amargo. Además de tener varios niveles de molienda, las muelas de café ofrecen un molido consistente. Esto es importante para asegurar que la extracción es consistente en todos las partículas de café.

ANTES DEL PRIMER USO

Antes de utilizar el molino de café, limpie el aparato y el recipiente de café con un trapo húmedo. Lave el soporte del café molido y su tapa con agua caliente jabonosa y luego enjuáguelo y séquelo.

OPERANDO EL MOLINO DE CAFÉ

1. **Asegúrese de que el aparato esté desconectado.** Ponga el contenedor (6) y su tapa (7) en sus posiciones correctas. Revise que ensamble bien en el cuerpo del aparato (3).
2. Abra la tapa de la tolva para granos de café (2) y llénela hasta el nivel deseado (1). No llene más arriba del nivel marcado "max". Cierre la tapa.

NOTA: Este producto está diseñado para moler café de grano entero solamente.

3. Seleccione la cantidad de café a moler posicionando el número de tazas en el selector (8).

4. Seleccione el nivel de finura de la molienda ajustando el selector **(9)** (vea Consejos Prácticos y Recomendaciones).
 5. Inserte el enchufe en el contacto (voltaje 120 v ~ 60 Hz).
 6. Presione el botón On/Off para prender el aparato.
 7. Una vez que la cantidad seleccionada se ha molido, el aparato se detendrá automáticamente.
 8. Si desea detener el aparato antes de finalizar la molienda, presione el interruptor de encendido/apagado **(4)**.
 9. Remueva el café molido del contenedor, y colóquelo en el filtro de la cafetera o utilice una cuchara.
 10. Para obtener mayor cantidad d café molido, repita la operación. Siempre asegúrese de que el café no pase el nivel marcado como “max” en el contenedor **(6)**.
- Los niveles seleccionados permanecerán igual en el siguiente uso, a menos de que Ud. desea cambiarlos nuevamente.



¡IMPORTANTE!

Para que su aparato funcione correctamente, asegurese de que:

- La tapa de la tolva de granos de café **(2)** está correctamente cerrada.
- El contenedor de café molido **(6)** y su tapa **(7)** están bien posicionados en el cuerpo del aparato.
- Este aparato posee un dispositivo de protección contra sobre calentamientos. Si se sobre calentara, se apagará automáticamente. En dicho caso, déjelo enfriar durante 30 minutos y vuelva a ponerlo en marcha presionando el botón de encendido/apagado.

CONSEJOS PRÁCTICOS

- Es mejor guardar granos de café en un lugar seco y fresco. Deben ser guardado en un contenedor opaco y sellado para evitar el contacto con el aire.
 - Muela el café justo antes de utilizarlo.
- Consejo para seleccionar el nivel de finura de la molienda.**
- Utilice el selector de finura **(9)** para ajustar la molienda de acuerdo con el tipo de cafetera.
 - Generalmente, mientras más rápido pasa el agua por le café, más fino tiene que estar el molido. Un molido “medio” sirve para hacer café de goteo y un molido “muy fino” es necesario para un espresso.
 - Para el primer uso, le sugerimos que use una posición intermedia y después ajuste la selección a su gusto. Una vez que haya utilizado el aparato varias veces, encontrará el nivel perfecto que lo satisfaga.
 - **No cambie el nivel de finura seleccionado cuando el aparato está en funcionamiento.**
 - **No guarde los granos de café o el café molido en el soporte del café o en el dispensador durante más de 24 horas.**

NIVEL DE MOLIENDA	TIPO DE CAFETERA
Fino	Espresso
Medio/Fino	Goteo con filtro permanente
Medio/Fino	Goteo con filtro permanente
Medio/Grueso	Percolado
Grueso	Prensa Francesa

Sugerencia para seleccionar el número de tazas:

- Utilice el selector de número de tazas **(8)** para programar la cantidad de café molido que desea.
- Mientras más tazas selecciones, más tiempo tardará en estar el aparato en funcionamiento.
- El aparato puede moler hasta 7 g de café por taza seleccionada.

MANTENIMIENTO

- Para mantener todo el aroma del café y evitar la degradación del molido, vacíe el contenedor después de cada uso.
- Siempre desconecte el molino antes de limpiarlo.
- Nunca coloque el molino, el cable o el enchufe en agua.
- No utilice detergentes fuertes o métodos de limpieza abrasivos.
- Limpie las tapas y los recipientes con agua tibia con jabón.
- Para remover la muela superior **(5)**, posicione el selector de finura **(9)** en la posición de molido más fino y tome las pestañas de la muela con los dedos y mueva hacia la derecha, después levante verticalmente para remover **(Fig. A)**.
- Limpie la fresa superior con la escobilla de limpieza **(11)**. **(Fig. B)**
- Limpie con cuidado el interior de la tolva de granos de café **(1)** con un paño húmedo.
- Para volver a colocar la muela superior, posicione el selector de finura **(9)** en la posición de molido más grueso, inserte la muela y muévela hacia la izquierda. **(Fig. A)**.
- Limpie el cuerpo del aparato y la salida de café **(10)** con un trapo húmedo.

GUÍA DE FUNCIONAMIENTO

El aparato no funciona.	Revise la conexión a la toma de corriente.
	La tapa de la tolva de granos de café no está bien cerrada.
	El soporte del café molido no está bien colocado o la tapa no está bien puesta o no se encuentra en su lugar.
El aparato se para durante la operación.	El aparato está muy caliente. Se ha activado el dispositivo de protección contra sobrecalentamientos. Desenchufe el aparato. Saque la fresa superior para limpiarla y retirar cualquier obstáculo que pudiera haber en su interior. Deje enfriar el aparato durante 30 minutos antes de usarlo de nuevo. Si el aparato sigue sin funcionar, llévelo a un servicio de reparaciones autorizado.
	Causas de sobrecalentamiento que deben ser evitadas: La capacidad máxima del recipiente o del contenedor de café han sido excedidas.
El selector de finura de molienda no funciona.	Revise si la muela superior está bien colocada (vea el párrafo de mantenimiento en el instructivo).

KRUPS GARANTÍA LIMITADA INTERNACIONAL



: www.krups.com

Este producto puede ser reparado por KRUPS durante y después del periodo de garantía.

KRUPS se esfuerza en tener disponibilidad de la mayoría de las refacciones para la reparación de sus productos, hasta por un promedio de 5 a 7 años a partir de la última fecha de producción.

Los accesorios, consumibles y componentes reemplazables por el usuario final, en caso de estar disponibles localmente, pueden ser adquiridos tal y como se describe en la página web de KRUPS.

La garantía

Este es un producto garantizado por KRUPS (la dirección y demás datos de la compañía figuran en la lista de países de la Garantía Internacional KRUPS) contra defectos de fabricación o en los materiales durante 2 años en aquellos países que figuran en la lista de países incluida en la última página del manual de usuario, a partir de la fecha de compra. La garantía internacional que KRUPS emite como fabricante es una ventaja adicional que no transgrede los derechos legales del consumidor. La garantía internacional del fabricante cubre todos los costes de reparación del producto defectuoso, de forma que se ajuste a sus especificaciones originales, ya sea mediante su reparación o la sustitución de los componentes defectuosos y la mano de obra necesaria. A criterio de KRUPS podrá sustituir el producto defectuoso, en lugar de repararlo. La reparación o sustitución del producto es la única obligación de KRUPS y la única y exclusiva solución ofrecida al cliente en virtud de la presente garantía.

Condiciones y exclusiones

La garantía internacional KRUPS únicamente será de aplicación durante 2 años y en los países relacionados en la Lista de Países adjunta, y será válida solamente cuando vaya acompañada de una prueba de compra. Se puede llevar el producto en persona directamente a un Servicio Post-venta autorizado, o embalarlo adecuadamente y enviarlo, por correo certificado (o envío postal equivalente), a un Servicio Post-venta autorizado de KRUPS. La dirección completa de los Servicios Post-venta autorizados en cada país puede obtenerse en la página web de KRUPS (www.krups.com) o llamando al número de teléfono del país en cuestión indicado en la Lista de Países, en el que le proporcionarán la dirección del Centro de Servicio Post venta donde puede llevar su producto a reparar. KRUPS no estará obligada a reparar o sustituir productos que no vayan acompañados de una prueba de compra válida.

Esta garantía no cubrirá los daños que puedan producirse como resultado de usos incorrectos, negligencia, inobservancia de las instrucciones de KRUPS, conexión a corrientes o voltajes distintos de los impresos en el producto, o una modificación o reparación no autorizada del mismo. Tampoco cubre el uso y desgaste habitual, el mantenimiento o sustitución de consumibles, ni daños ocasionados por lo siguiente :

- La utilización de un tipo de agua o cualquier otro producto inadecuado
- El acceso de agua, polvo o insectos dentro del producto
- Daños mecánicos, sobrecarga
- Daños en los materiales de vidrio o porcelana del producto
- La calcificación (las descalcificaciones deberán realizarse de acuerdo a las instrucciones de uso)
- Uso profesional o comercial

- Daños o mal funcionamiento debidos a un voltaje o frecuencia equivocados
- Accidentes, incluidos incendios, inundaciones, rayos, etc.

Esta garantía no aplica a productos que hayan sido alterados, ni en el caso de daños ocasionados por un uso o mantenimiento indebidos, un embalaje inadecuado por parte del consumidor o por una manipulación incorrecta del transportista. Para ofrecerle el mejor servicio posventa posible y mejorar constantemente la satisfacción del consumidor, KRUPS podría enviar una encuesta de satisfacción, a todos los consumidores que hayan llevado a reparar sus productos o recibido a cambio un producto en uno de los centros de servicio autorizados de KRUPS.

La garantía internacional KRUPS se aplica únicamente a productos adquiridos en alguno de los países de la Lista de Países, y destinados exclusivamente a uso doméstico en alguno de los países indicados en la Lista de Países. Cuando un producto sea adquirido en un país incluido en la Lista de Países y posteriormente se utilice en otro país incluido en la Lista, la duración de la garantía internacional KRUPS será la vigente en el país de utilización del producto, incluso aunque el producto haya sido adquirido en otro país incluido en la Lista con una duración distinta de garantía. Cuando un producto sea adquirido en un país incluido en la Lista de Países y posteriormente se utilice en otro país incluido en la Lista, la duración de la garantía internacional KRUPS será la vigente en el país de utilización del producto, incluso aunque el producto haya sido adquirido en otro país incluido en la Lista con una duración distinta de garantía :

- a) La garantía internacional KRUPS no se aplica en caso de que las especificaciones locales, tales como el voltaje, la frecuencia, las tomas de corriente u otras especificaciones técnicas no correspondan a las del producto adquirido.
- b) El proceso de reparación para productos adquiridos fuera del país de uso puede requerir un plazo mayor si KRUPS no comercializa localmente el producto.
- c) En caso que el producto no sea susceptible de reparación en el país de utilización, la garantía internacional KRUPS se limita a la sustitución por un producto similar o un producto alternativo de precio similar, siempre que sea posible.

Derechos legales de los consumidores

Esta garantía internacional KRUPS no afecta los derechos de los consumidores ni derechos que no puedan ser excluidos o limitados, ni los derechos que el consumidor tenga frente al comerciante de quien adquirió el producto. Esta garantía proporciona al consumidor derechos específicos, y el consumidor también podrá ejercer a su discreción, otros derechos que tenga, que variarán de una región a otra o de un país a otro.

***Específicamente para México, los datos que aparecen en la Lista de Países corresponden también al Centro de Servicio Autorizado directo y sitio para compra de refacciones y accesorios.

Fecha de compra :

Referencia del producto :

Nombre y dirección del minorista :

Sello del distribuidor :

Krups International Guarantee - Country List



: www.krups.com



CANADA

1-800-418-3325

GROUPE SEB CANADA
345 Passmore Avenue
Toronto, ON M1V 3N8

MEXICO

(01800) 112 8325

Importador / Centro de Servicio:
Groupe S.E.B. México, S.A. DE C.V.
Goldsmith 38 Desp. 401, Col. Polanco
Delegación Miguel Hidalgo
11 560 México D.F.

U.S.A.

800-526-5377

GROUPE SEB USA
2121 Eden Road Millville, NJ 08332

EN..... P. 1-6

FR..... P. 7-13

ES..... P. 14-19