

BLAUX

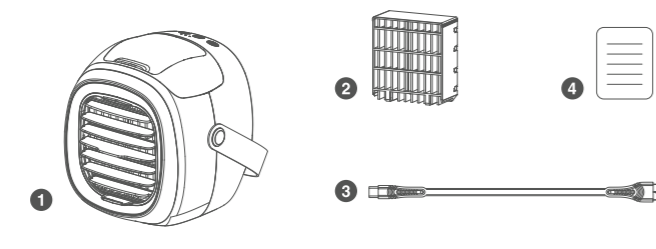


**PORTABLE AC - G2
INSTRUCTION MANUAL**

Specifications

Material	ABS + Leather
Input	5V ---
Water Tank Capacity	300ml
Motor Speed	1500rpm - 2500rpm
Working Current	0.2A - 1.6A
Product Size	172.8 x 151.5 x 173.2mm
Weight	873g
Working Wattage	1W - 8W
Battery Capacity	2000mAh/18650

Package Content

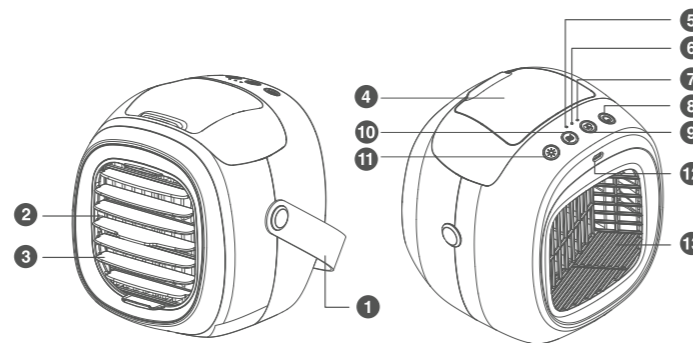


- 1 Portable AC - G2
- 2 Water Curtain
- 3 Type-C Charging Cable
- 4 Instruction Manual

01

FRONT SIDE

Product Structure



- 1 Carrying Strap
- 2 Air Outlet
- 3 Adjustable Louver
- 4 Water Tank Lid
- 5 Charging Indicator
- 6 Mist Indicator
- 7 Fan Speed Indicator
- 8 Power Button
- 9 Fan Speed Button
- 10 Spray Opening Key
- 11 LED Light Switch
- 12 Type-C Port
- 13 Air Inlet

02

Indicator Status Description

- 1. Power ON/OFF - all function will switch ON/OFF (Fan , Mist, Water tank LED)
- 2. Fan start with low speed. Press 1 time - medium; press 2 times - high; press 3 times - low
- 3. Mist is set as default. It will switch on with power & fan.
- 4. Water tank LED default start with power, the LED will keep changing the color until you press once, the LED will blink to confirm the color. Press 2 times the LED will switch off.
- 5. Battery low - the power LED will start to blink slow.
- 6. Charging indicator - power LED will change to red, after charging the red light turned off.

How To Start The Fan/Humidifier/Light Function

- The portable AC is charged/powerd via a Type-C charging cable to a charging adapter or your computer's USB port.
- Press the power button to start, the low fan speed setting will be on by default. Press the fan speed button to increase speed, it will cycle 3 speeds.
- To turn on the humidifier, press the mist button, make sure there is water in the tank before doing so. When the device detects that there is not enough water in the water tank, the humidifier function will automatically shut off.
- Press the LED Light Switch button to cycle through the different colors. Hold the button to keep the light a steady color. Push the button again to shut it off.

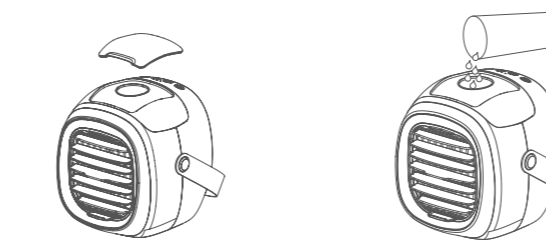
Tip: Soak the Water Absorption Curtain before using for a better cooling effect!

03

BACK SIDE

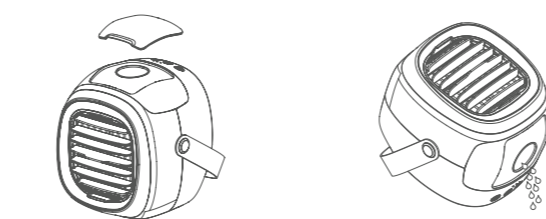
How To Fill The Water Tank/Drain Water

Filling Your Blaux Portable AC - G2:



1. Open the top cover
2. Fill the water tank with water

Cleaning:

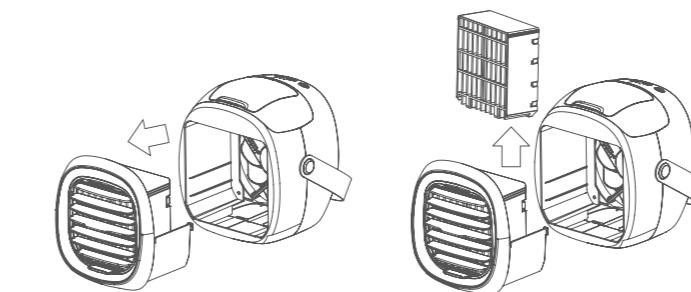


1. Open the top cover
2. Tilt the unit to empty out the water tank – Be careful not to get any of the buttons wet

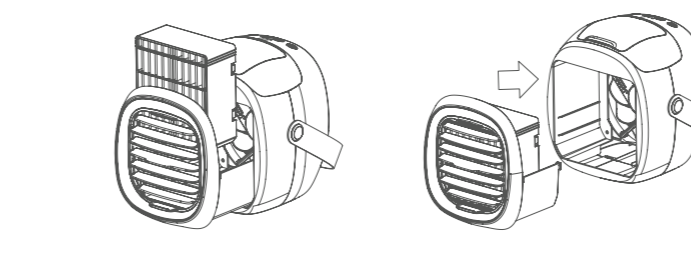
Attention: After the product is filled with water, it must remain upright to prevent any water from penetrating the circuit board or fan.

04

How To Replace The Water Curtain



1. Pull out the front grill
2. Remove the old water absorption curtain



3. Replace the water absorption curtain
4. Push the front grill back in place

Tips: If not using the fan for a long time, drain the water from the tank and blow-dry the curtain. Water absorption curtains generally last 6-8 months. Replace accordingly based on personal use.

05

Safety Precautions

- Check device voltage compatibility with this product before using it;
- Do not disassemble product or handle it roughly;
- Avoid exposure to heat or direct sunlight;
- Keep product out of reach of children and pets;
- Please use included Type-C Cable and 5V/2A adapter;
- Regularly clean the inside and outside of the fan to prevent dust from accumulating. Before cleaning the fan, be sure to turn off the product and unplug the power cord;
- Do not put your fingers or hard objects into the intake/outlet;
- Stop using the product if it starts to malfunction.

06

CE The device complies with the European Directives 2014/30/EU.

Waste At the end of its service life, this product may not be disposed of in the normal household waste, but rather must be disposed of at a collection point for recycling electrical and electronic devices. The materials are recyclable according to their labeling. You make an important contribution to protecting our environment by reusing, recycling, or utilizing old devices in other ways. Please ask the municipal administration where the appropriate disposal facility is located. Subject to change.

FCC This device complies with part 15 of the FCC Rules.

07

封面

IM Dimensions: 148 x 105mm
Double Side Printing
CMYK