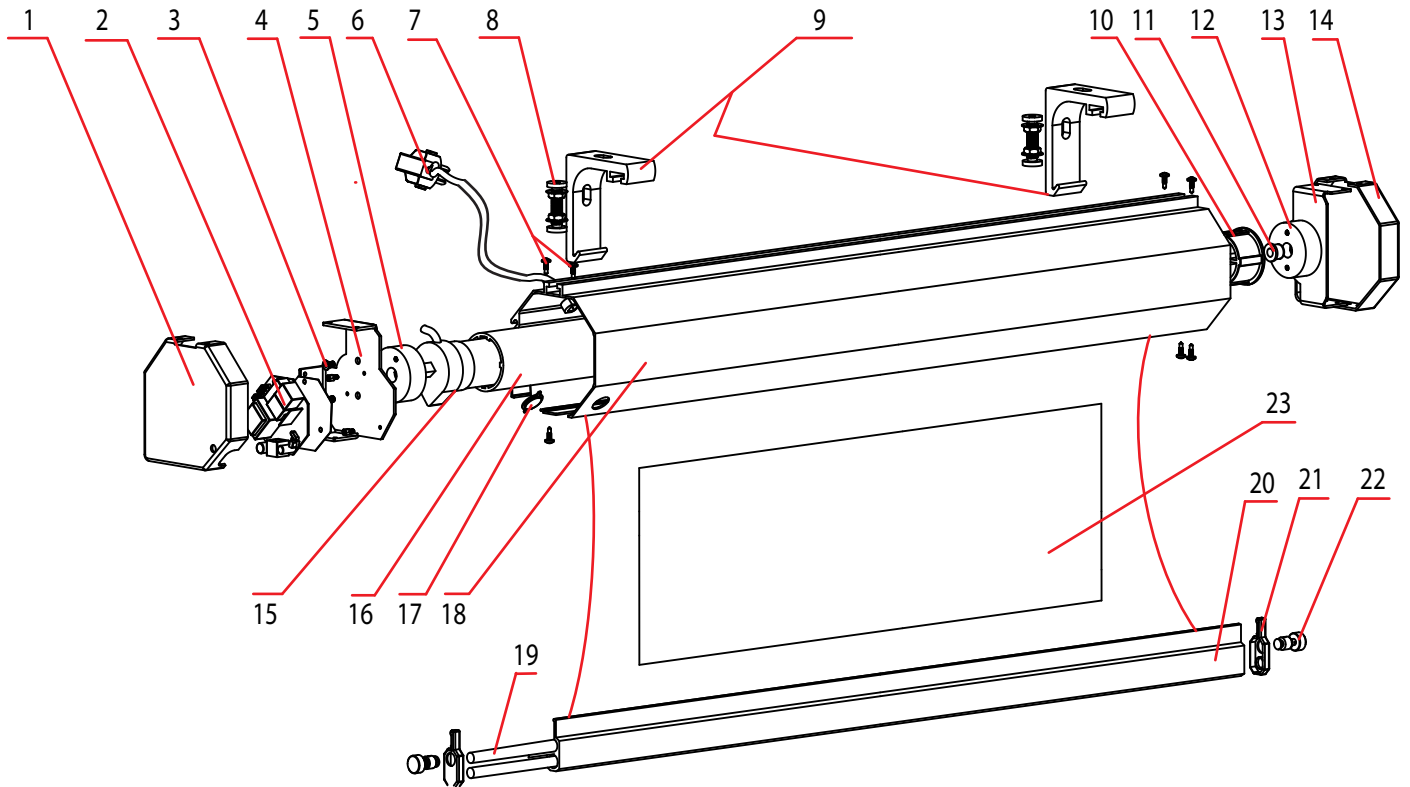


# CineTension 2 Series Parts List



1. Left side end cap	13. Right mount support
2. Circuit Board	14. Right side end cap
3. Screw	15. Tubular motor (x1)
4. Left mount support	16. Axis (roller)
5. Grommet (left)	17. Infrared sensor
6. Power cable (Source)	18. Casing
7. Screw	19. Weight bar inner support (Steel)
8. Bracket bolt	20. Weight bar
9. Bracket	21. Weight bar cover (x2)
10. Tubular motor screw head (x2)	22. Tension adjuster
11. Vibration reducer core	23. Screen material
12. Grommet (right)	