



LED Camping Lantern Flashlight

Model: CLF50

User Manual



Thank you for purchasing the LED Camping Lantern Flashlight by Etekcity.

If you have any questions or concerns, please reach out to our helpful Customer Support Team at **support@etekcity.com**. We hope you enjoy your new LED Camping Lantern Flashlight!

Table of Contents

Specifications	3
Safety Information	4
Function Diagram	5
Set-Up	6
Operation	7
· Adjustable Handle	7
· Flashlight Mode	10
· Lantern Mode	11
Battery Replacement	12
Warranty Information	13
Customer Support	15

Specifications

Rated Power	3 W
Max Brightness	Flashlight Mode: 80 lm Lantern Mode: 280 lm
Power	3 x 1.5V AA Batteries (Pre-installed)
Dimensions	3.45 x 3.45 x 5.55 in / 8.8 x 8.8 x 14.1 cm
Weight	0.65 lb / 297 g
Operating Environment	14°-104°F / -10°-40°C (Relative Humidity: 70%)
Storage & Transportation Environment	-4°-140°F / -20°-60°C (Relative Humidity: 90%)

NOTE: Using batteries that are not alkaline may shorten the operating time of the lantern.

Safety Information

IMPORTANT: Please read and comply with all of the instructions and warnings provided in this manual before using the product. Failure to comply with the instructions and warnings provided herein may result in inaccurate results and/or damage to the product itself.

General Safety

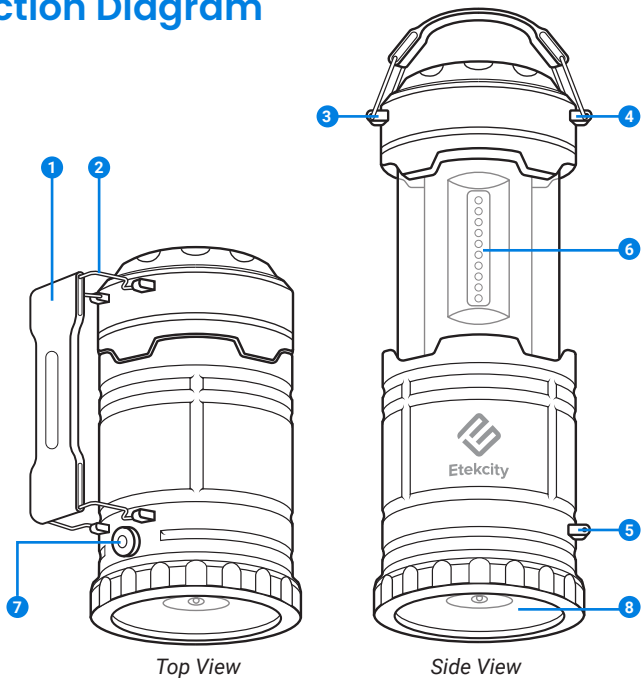
- **DO NOT** replace batteries while hands are wet.
- **DO NOT** replace batteries in wet environments.
- **ONLY** use 1.5V AA batteries with this camping lantern.
- **DO NOT** shine the light into the eyes of other person(s). Doing so may result in serious injury.

Use & Care Guidelines

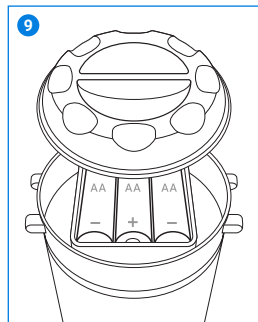
- When not in use, turn off the lantern by completely collapsing the device. If you are using the lantern as a flashlight, press the 'Flashlight Button' to turn off the light.
- When installing or changing batteries, always make sure to place the batteries under the correct polarity as indicated within the battery compartment.
- If you are using rechargeable batteries, make sure they have the required voltage necessary to power the lantern.

- **DO NOT** dispose of any part of this product in a fire.
- Properly dispose of all parts of this product in accordance with local environmental regulations. **DO NOT** dispose of the lantern or batteries in regular household waste.
- **DO NOT** submerge the lantern into water or any other liquid.
- **DO NOT** attempt to open the lantern for self-servicing, other than for changing the batteries. Doing so may result in damage to the product, electric shock, or injury. Doing so will also void your warranty.
- **DO NOT** use replacement parts that from other Etekcity lanterns or parts from other third-party products.
- Use a damp or dry cloth to wipe the lantern's surface when cleaning.
- When not in use for an extended period of time, remove the batteries to avoid power drainage.

Function Diagram



1. Handle
2. Handle Clips
3. Clip Holder A
4. Clip Holder B
5. Clip Holder C
6. LED Strip
7. Flashlight Button
8. Flashlight
9. Battery Compartment



Set-Up

Before First Use

1. Remove the battery compartment lid by twisting it counterclockwise, then lifting it up from the lantern. *[Figures 1.1 & 1.2]*
2. Remove the insulation strip and replace the battery compartment lid. *[Figure 1.3]*

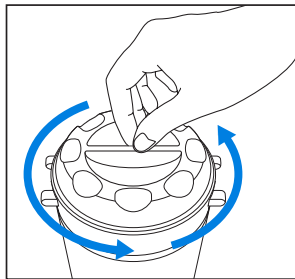


Figure 1.1

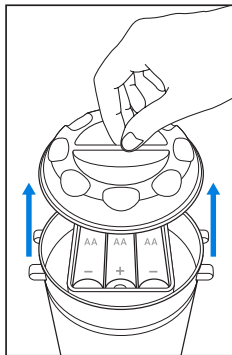


Figure 1.2

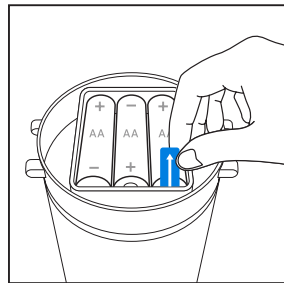
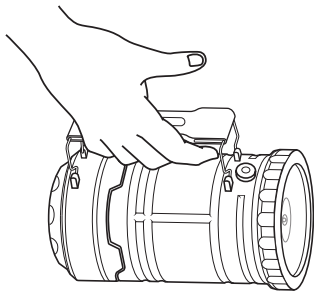


Figure 1.3

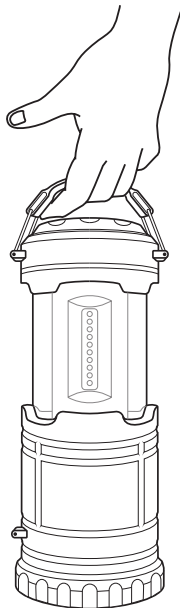
Operation

Adjustable Handle

Your new lantern can be used in two different ways: Flashlight Mode and Lantern Mode. [\[Figure 2.1 & 2.2\]](#)



Flashlight Mode
[Figure 2.1](#)

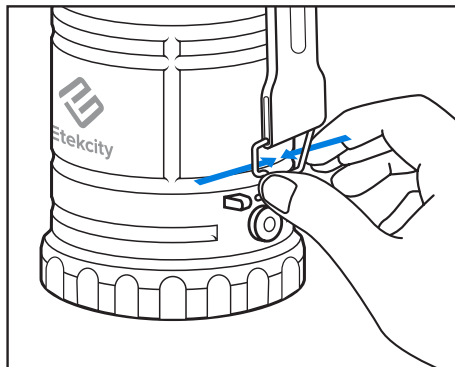


Lantern Mode
[Figure 2.2](#)

The Adjustable Handle (cont.)

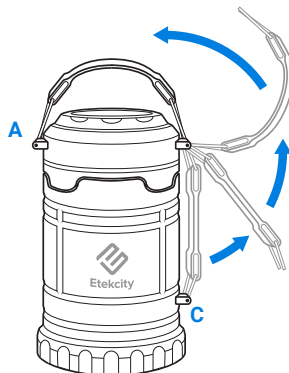
Adjusting from Flashlight Mode to Lantern Mode

Figure 2.3



1. Pinch the clip that is connected to **Clip Holder C**, then remove the clip. [Figure 2.3]

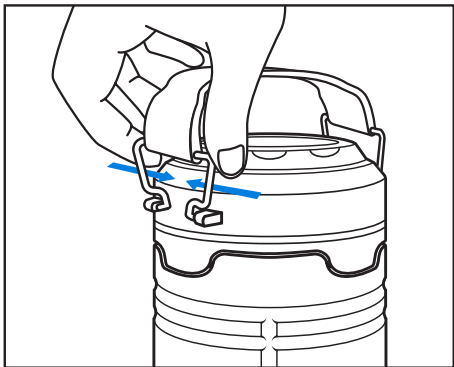
Figure 2.4



2. Place the removed clip into **Clip Holder A** at the top of the lantern. [Figure 2.4]

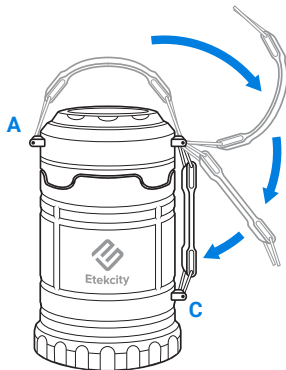
Adjusting from Lantern Mode to Flashlight Mode

Figure 2.5



1. Pinch the clip that is connected to **Clip Holder A**, then remove the clip. [\[Figure 2.5\]](#)

Figure 2.6



2. Place the removed clip into **Clip Holder C** next to the 'Flashlight Button'. [\[Figure 2.6\]](#)

Flashlight Mode

1. Adjust the lantern to Flashlight Mode. [\[Figure 3.1\]](#)
2. Press the 'Flashlight Button' on the side of the lantern to turn on the flashlight. [\[Figure 3.2\]](#)
3. Grasp the handle to hold the lantern. [\[Figure 3.3\]](#)
4. Press the 'Flashlight Button' once more to turn off the flashlight.

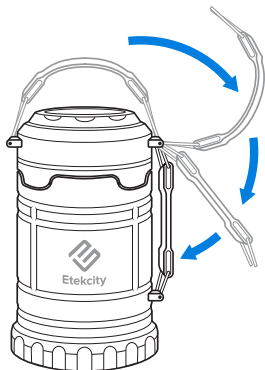


Figure 3.1

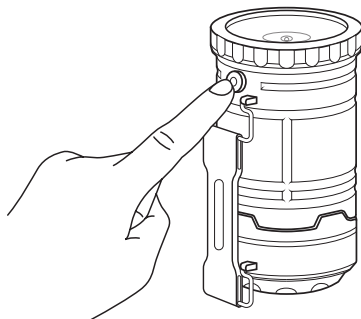


Figure 3.2

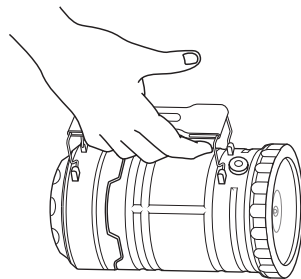


Figure 3.3

Lantern Mode

1. Adjust the lantern to Lantern Mode. [\[Figure 4.1\]](#)
2. Once the clip is installed, pull up on the handle to turn on the lantern. [\[Figure 4.2\]](#)
3. (Optional): Adjust the height to control the brightness of the emitted light.
4. Fully collapse the lantern to turn it off. [\[Figure 4.3\]](#)

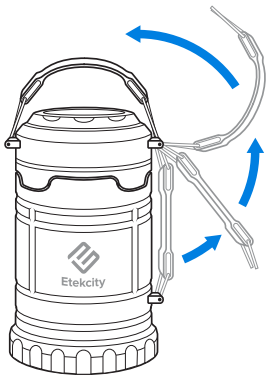


Figure 4.1

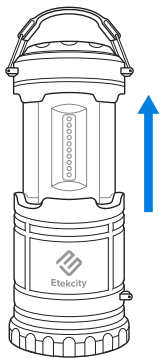


Figure 4.2

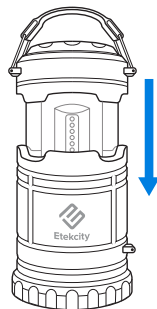


Figure 4.3

NOTE: Turning on both the lantern and flashlight at the same time is not recommended, as it drains the battery faster.

Battery Replacement

NOTE: If the handle is positioned for Lantern Mode, move the handle back into position for Flashlight Mode.

1. Turn off the lantern.
2. Twist the battery compartment lid counterclockwise, then lift the lid to remove it from battery compartment. *[Figure 5.1]*

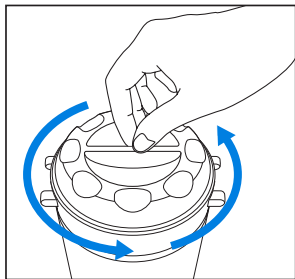


Figure 5.1

3. Remove the old 1.5V AA batteries and properly dispose of them.
4. Place new 1.5V AA batteries under the correct polarity, and replace the battery compartment lid. *[Figures 5.2 & 5.3]*

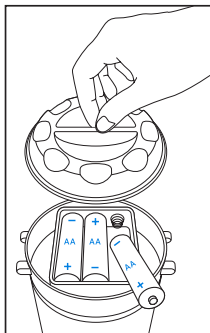


Figure 5.2

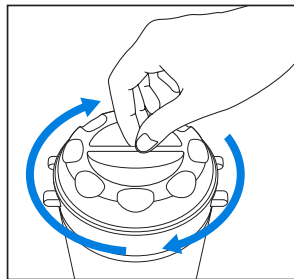


Figure 5.3

Warranty Information

Product Name	LED Camping Lantern Flashlight
Model Number	CLF50
<i>For your own reference, we strongly recommend that you record your order ID and date of purchase.</i>	
Order ID:	
Date of Purchase:	

Terms & Policy

Etekciti Corporation (“Etekciti”) warrants this product to the original purchaser to be free from defects in material and workmanship, under normal use and conditions, for a period of 2 years from the date of original purchase.

Etekciti agrees, at our option during the warranty period, to repair any defect in material or workmanship or furnish an equal product in exchange without charge, subject to verification of the defect or malfunction and proof of the date of purchase.

There is no other express warranty. This warranty does not apply:

- If the product has been modified from its original condition;
- If the product has not been used in accordance with directions and instructions in the user manual;
- To damages or defects caused by accident, abuse, misuse or improper or inadequate maintenance;
- To damages or defects caused by service or repair of the product performed by an unauthorized service provider or by anyone other than Etekciti;
- To damages or defects occurring during commercial use, rental use, or any use for which the product is not intended;
- To damages or defects exceeding the cost of the product.

Etekciti will not be liable for indirect, incidental, or consequential damages in connection with the use of the product covered by this warranty.

This warranty extends only to the original consumer purchaser of the product and is not transferable to any subsequent owner of the product regardless of whether the product is transferred during the specified term of the warranty.

This warranty does not extend to products purchased from unauthorized sellers. Etekciti’s warranty extends only to products purchased from authorized sellers that are subject to Etekciti’s quality controls and have agreed to follow its quality controls.

All implied warranties are limited to the period of this limited warranty.

This warranty gives you specific legal rights and you may also have other rights which vary from state to state. Some states do not allow the exclusion or limitation of incidental or consequential damages, so the above limitation or exclusion may not apply to you.

If you discover that your product is defective within the specified warranty period, please contact Customer Support via **support@etekcity.com**. **DO NOT** dispose of your product before contacting us. Once our Customer Support Team has approved your request, please return the product with a copy of the invoice and order ID.

Every Etekcity product automatically includes a 2-year warranty. To make the customer support process quick and easy, register your product online at www.etekcity.com/warranty.

This warranty is made by:

Etekcity Corporation
1202 N. Miller St., Suite A
Anaheim, CA 92806

Customer Support

If you have any questions or concerns about your new product, please contact our helpful Customer Support Team.

Etekcity Corporation

1202 N. Miller St., Suite A
Anaheim, CA 92806
USA

Email: support@etekcity.com

Toll-Free: (855) 686-3835

Support Hours

Mon–Fri,
9:00 am–5:00 pm PST/PDT

*Please have your invoice and order ID ready before contacting Customer Support.



Connect with us @Etekcitey

Instagram | Facebook | YouTube | Twitter