

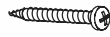
Fixing Parts:



A x4
6MM X 30MM



B x4



C x4
6MM X 35MM



D x4



WARNING:



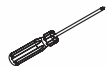
Two people are required to build this glass board
Be careful when you build it

Warranty:

For any product issue(including missing parts,etc.),
please contact us at support@maxtekglobal.com
Our customer service is always ready to assist!

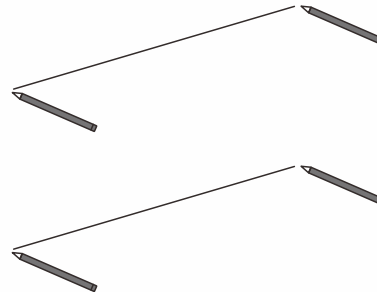
Before assembly:

1. Please pay attention to the depth and length of the hole, depth: 30mm, diameter: 6mm (6mm electric drill is recommended).
2. In order to ensure stability, please note that the coating on the wall should not be too thick. It is recommended to be installed in a solid wall or wooden wall.



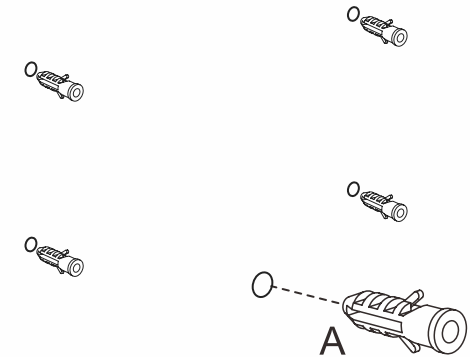
Step 1 :

Position the height and snap two horizontal chalk lines,
drill four holes in the wall (The diameter of the hole
should not exceed 6mm, the depth of the hole: 30mm).



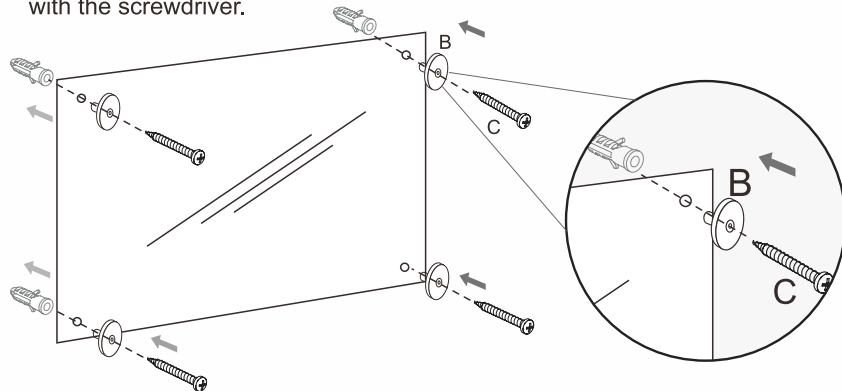
Step 2 :

Step 2: Insert Part A into the wall and make sure that it
is tightly embedded in the wall.



Step 3 :

Carefully lift the glass board and place Part B into the hole of the glass board, put Part C through Part B and then screw Part C into Part A tightly with the screwdriver.



Step 4 :

Cover Part B with Part D and squeeze it.

