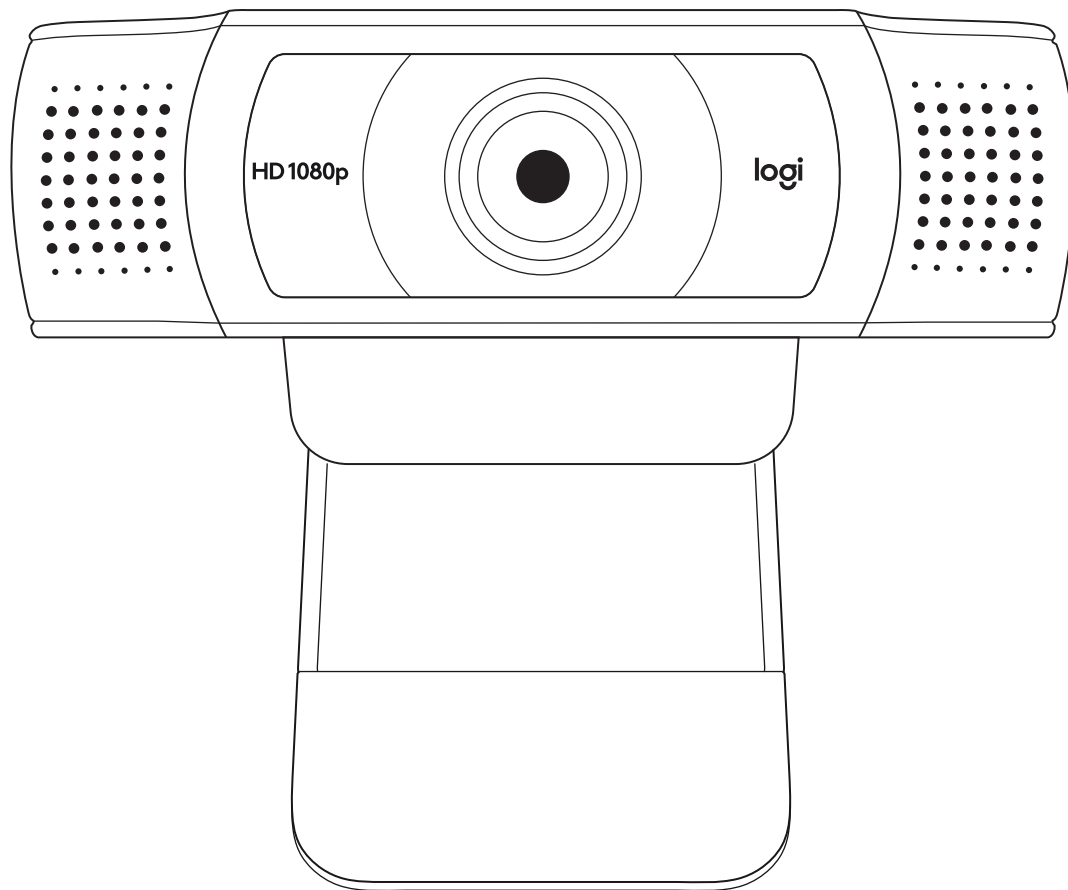


# C930s FULL HD WEBCAM

Complete Setup Guide  
Guide d'installation complet

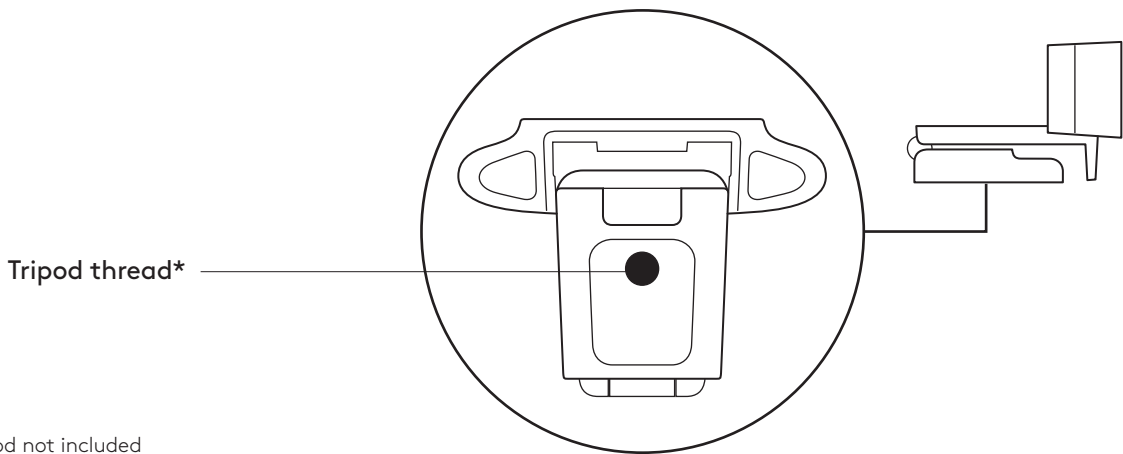
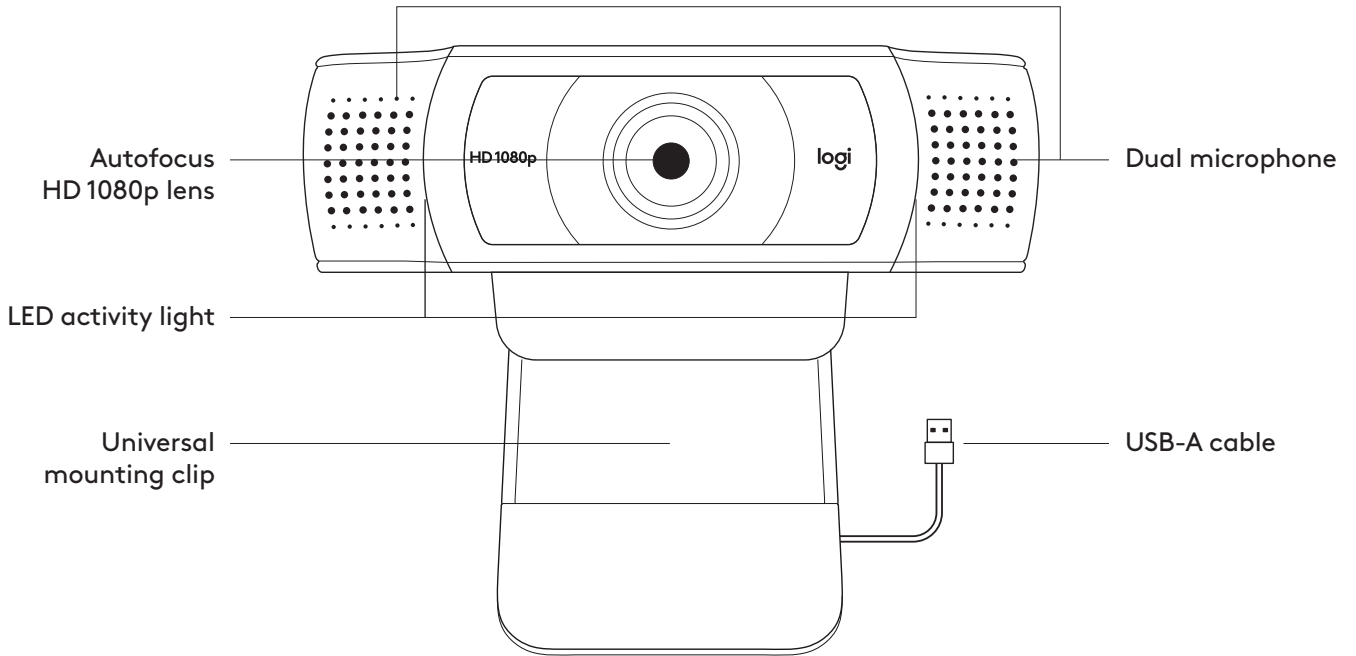


logitech®

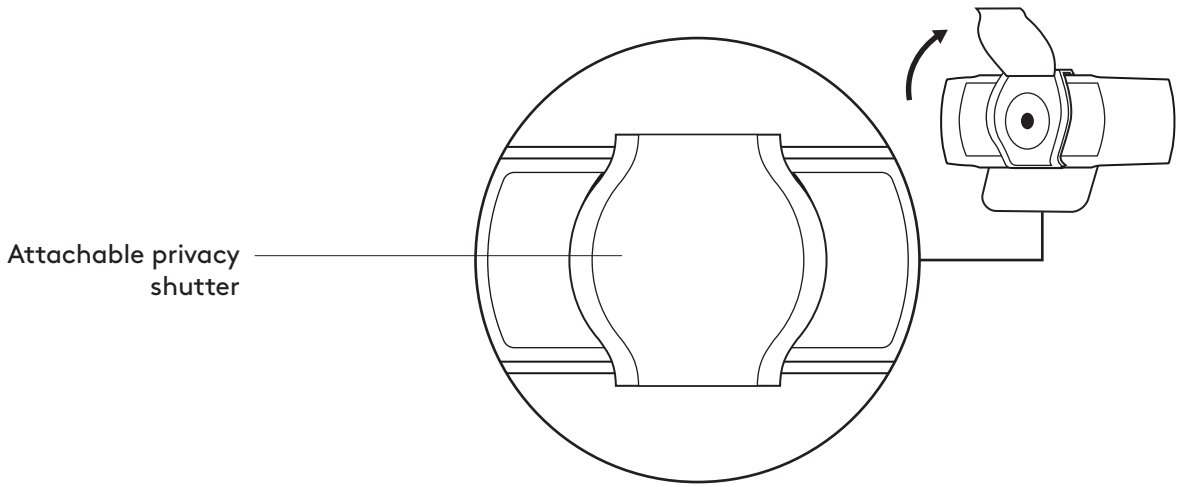
## CONTENTS

English . . . . .	3	Slovenčina . . . . .	67
Deutsch . . . . .	7	Українська. . . . .	71
Français . . . . .	11	Eesti . . . . .	75
Italiano . . . . .	15	Latviski . . . . .	79
Español. . . . .	19	Lietuvių . . . . .	83
Português . . . . .	23	Български . . . . .	87
Nederlands . . . . .	27	Hrvatski . . . . .	91
Svenska. . . . .	31	Srpski . . . . .	95
Dansk. . . . .	35	Slovenščina . . . . .	99
Norsk . . . . .	39	Română . . . . .	103
Suomi. . . . .	43	Türkçe . . . . .	107
Ελληνικά. . . . .	47	111 . . . . .	العربية
По-русски . . . . .	51	115 . . . . .	עברית
Po polsku . . . . .	55	繁體中文 . . . . .	119
Magyar . . . . .	59	한국어 . . . . .	123
Česká verze. . . . .	63	Indonesia . . . . .	127

# KNOW YOUR PRODUCT

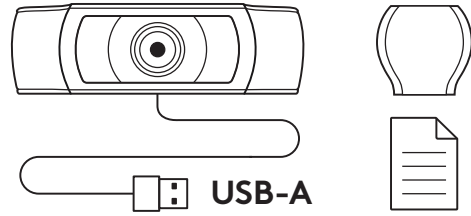


\* Tripod not included



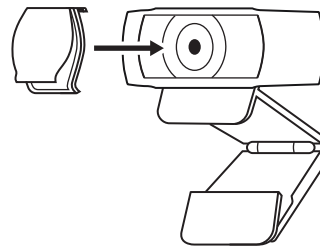
## WHAT'S IN THE BOX

- 1 Webcam with 5 ft (1.5 m) attached USB-A cable
- 2 Privacy shutter
- 3 User documentation

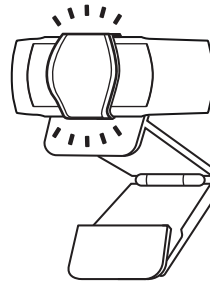


## ATTACH THE PRIVACY SHUTTER

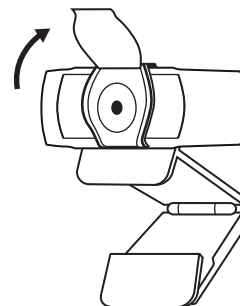
- 1 Attach external privacy shutter by locating the lens on the webcam.



- 2 Snap it onto the front of the webcam, directly over the center.



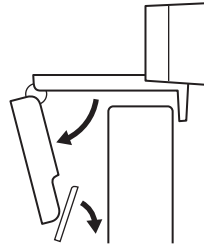
- 3 Manually adjust the privacy shutter to open or close as desired.



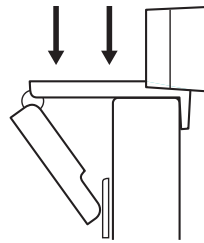
## SETTING UP THE WEBCAM

For placement on a monitor

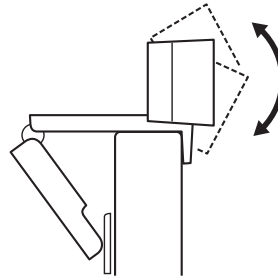
- 1 Place your webcam on a computer, laptop or monitor at a position or angle you desire.



- 2 Adjust the webcam to make sure the foot on the universal mounting clip is flush with the back of your device.

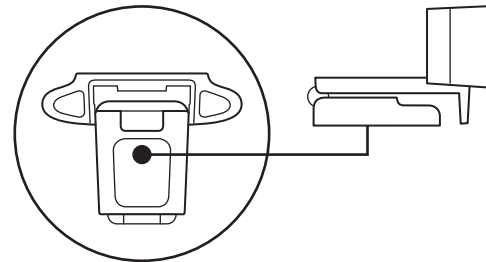


- 3 Manually adjust the webcam up/down to the best position to frame yourself.

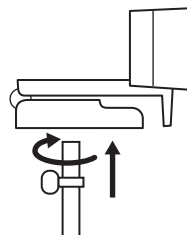


For placement on a tripod\*

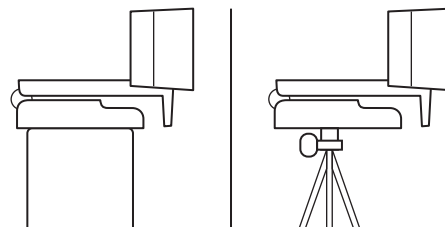
- 1 Locate the 1/4 inch tripod thread on the bottom of the universal mounting clip.



- 2 Secure the webcam on your tripod by twisting it into the 1/4 inch thread.



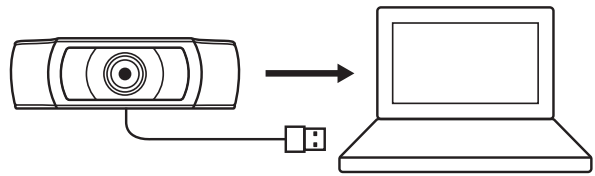
- 3 Place your webcam with the tripod anywhere you desire to the best position to frame yourself.



\* Tripod not included

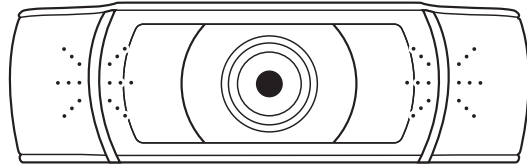
## CONNECTING THE WEBCAM VIA USB-A

Plug the USB-A connector into the USB-A port on your computer.



## SUCCESSFUL CONNECTION

LED activity light will light up when the webcam is in use by an application.



## DIMENSIONS

### INCLUDING FIXED MOUNTING CLIP:

Height x Width x Depth:

1.70 in (43.3 mm) x 3.70 in (94 mm) x 2.80 in (71 mm)

Cable Length: 5 ft (1.5 m)

Weight: 5.71 oz (162 g)

[www.logitech.com/support/C930s](http://www.logitech.com/support/C930s)