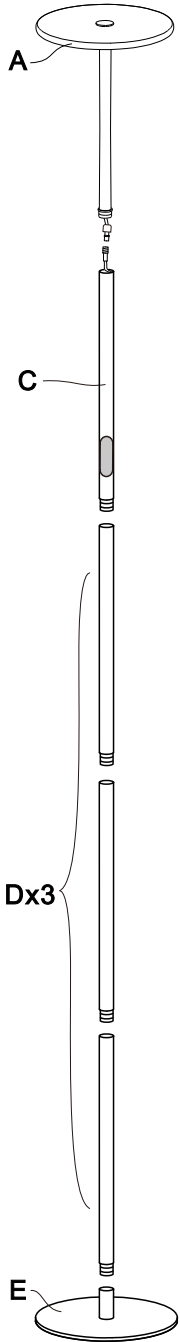
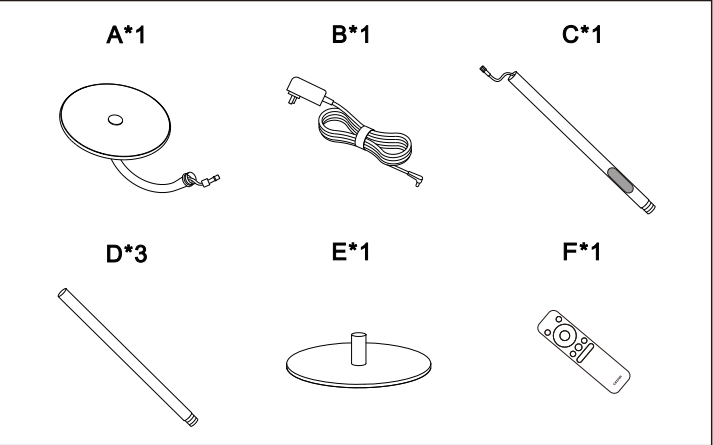


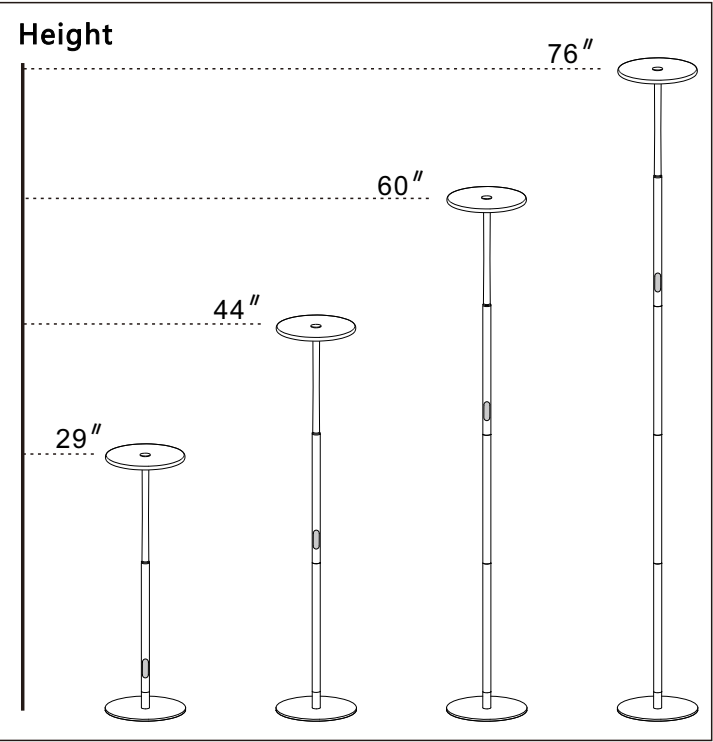
Exploded view



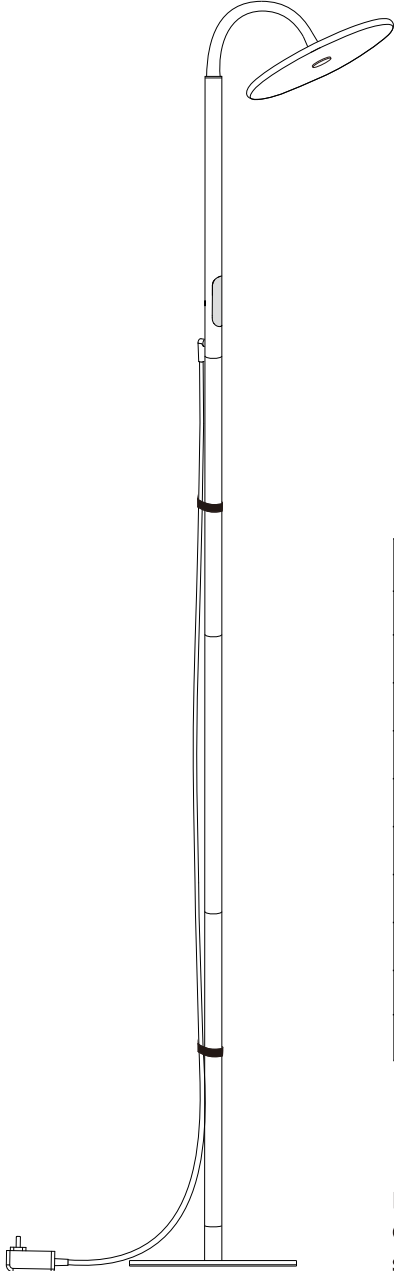
Parts



Height options



Remote Timer LED floor lamp

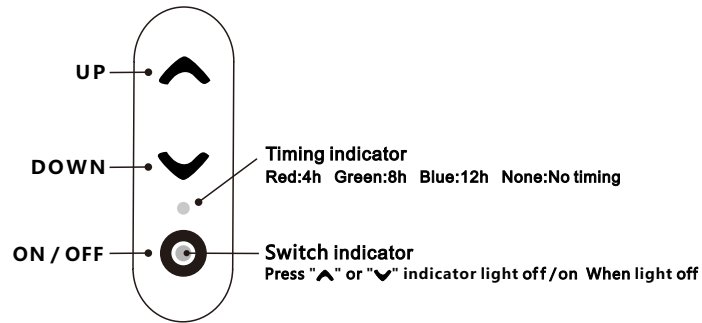


Model	F1005
Item No.	RF05-002
Dimensions	D9.5*H76 inch
Material	Aluminum / Steel / PC
Power	40W
Volt	100-240V
Frequency	50/60Hz
Luminous flux	3000lm
CCT	2300K-6500K
CRI	Ra≥95
Lifespan	50000h

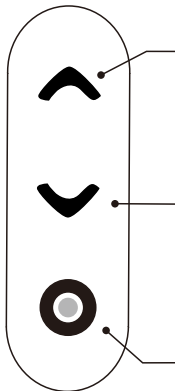
Designed and made by Chiphy
Copyright © 2014-2023 Chiphy All Rights Reserved
support@chiphylighting.com
www.chiphylighting.com

KEY FUNCTION DESCRIPTION

Touch Panel (Memory function)



Key Function Introduction

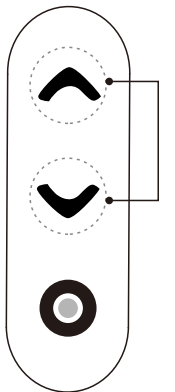


- Short-press for brightness up (10 levels)
- Long-press for maximize brightness
- Double click for the color temperature up (10 levels)

- Short-press for brightness down (10 levels)
- Long-press for minimum brightness
- Double click for the color temperature down (10 levels)

- Short-press to turn on/off
- Long-press to enter the night light when light off
- Long-press to turn off in 45 minutes when light on
- Double-press to turn off in 1 minute when light on

Timing

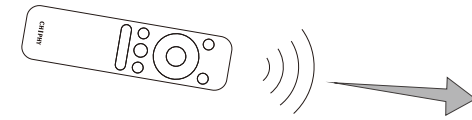


- Short-press "▲" "▼" with both fingers, select the timing mode (Red-Green-Blue-None, Red 4h/Green 8h/Blue 12h/None No timing state)
- After the time setting is completed, the corresponding timing indicator is on. It indicates that the lamp is in the corresponding timing state
- If you don't cancel the timing setting, it will always work, every day

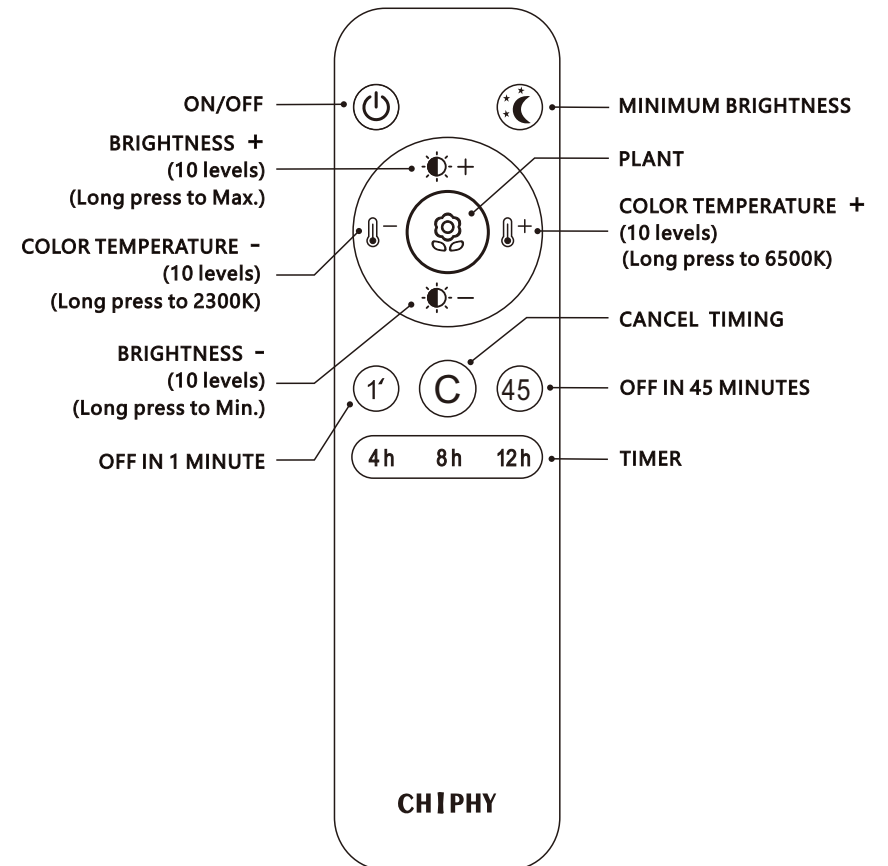
Cancel Timing

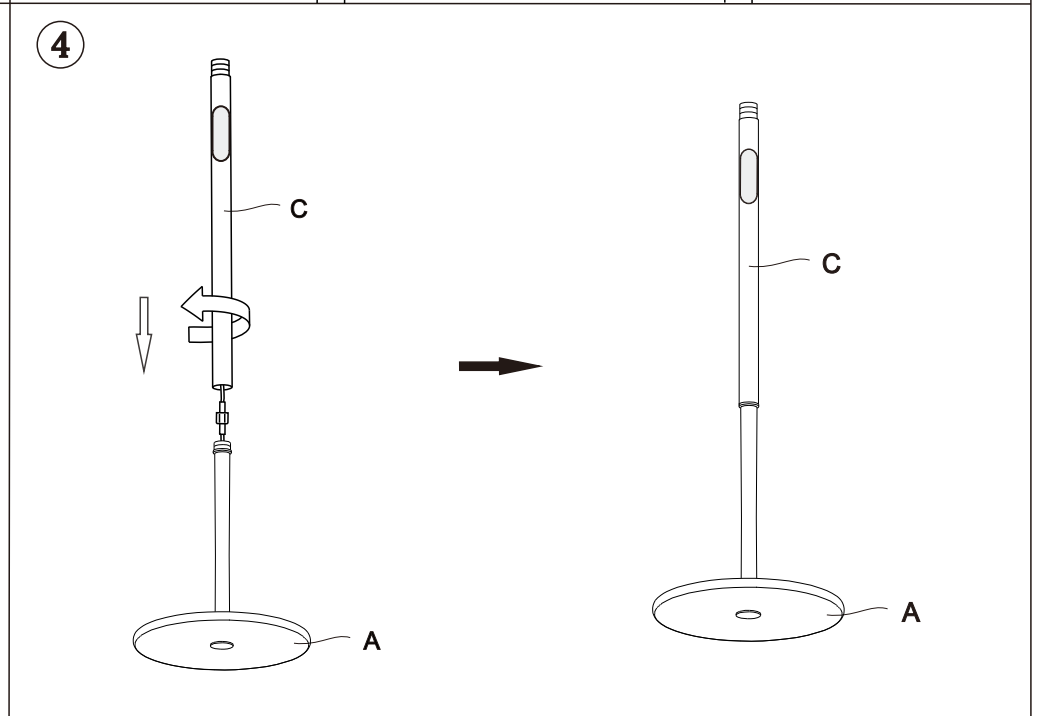
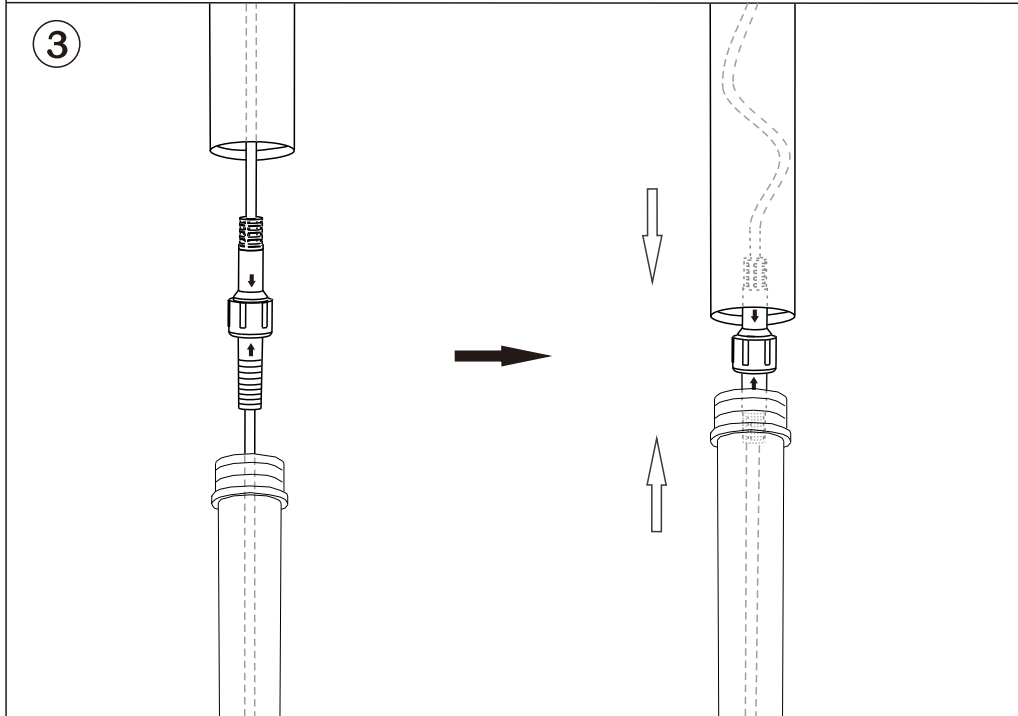
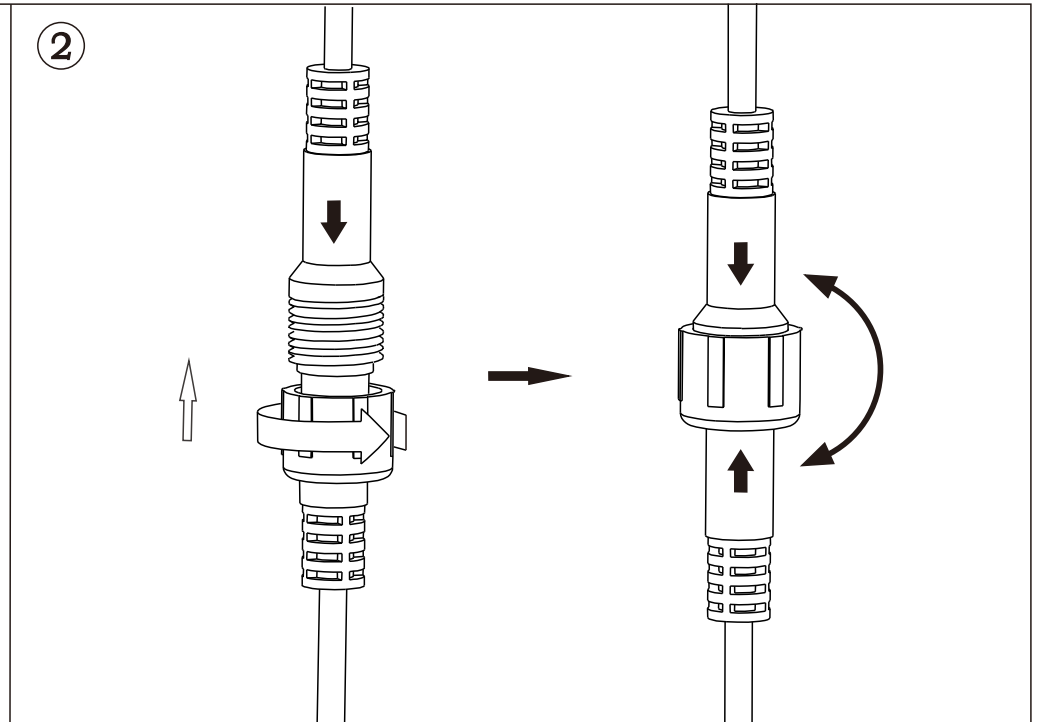
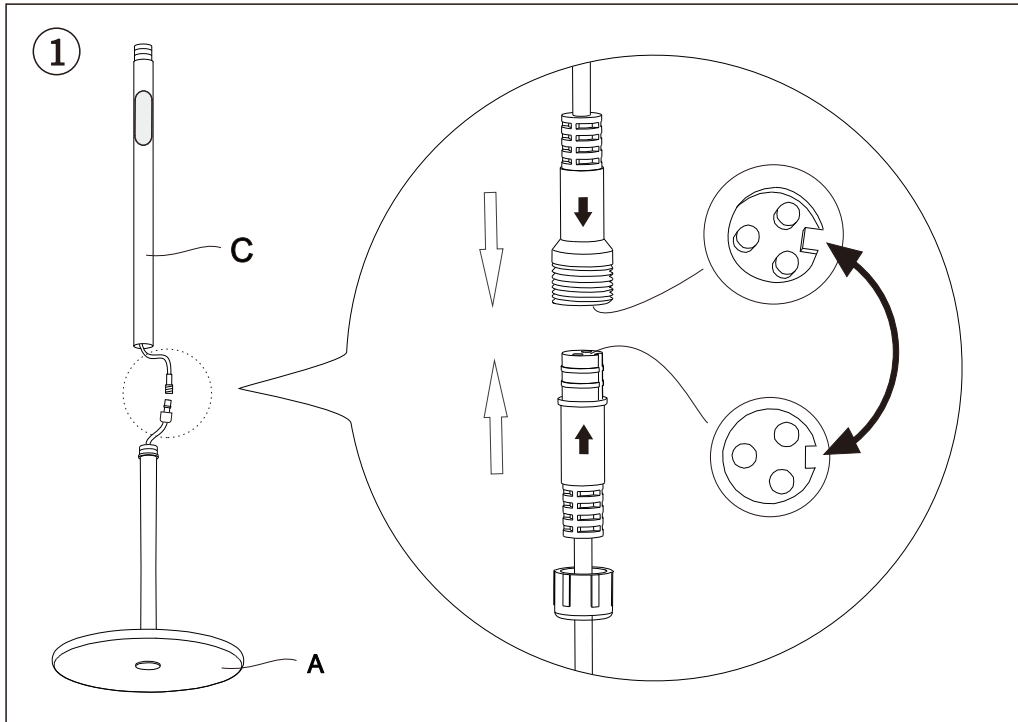
- Press "▲" "▼" with both fingers at the same time to switch the color of timing indicator to none; the timing setting is cancelled
- Or cancel the timing function through the remote control
- Or cut off the power supply of the lamp and cancel the timing setting

REMOTE CONTROL

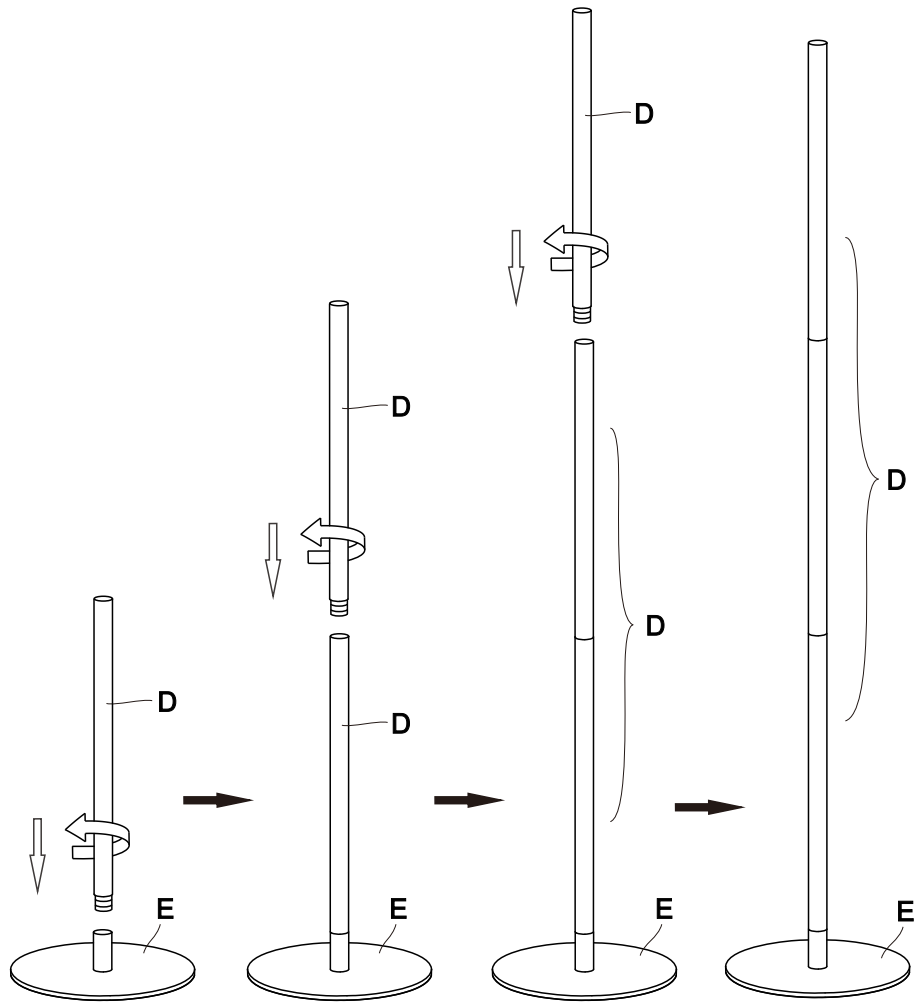


Please face the control panel directly





5



6

