

VEVOR[®]

TOUGH TOOLS, HALF PRICE

Technical Support and E-Warranty Certificate www.vevor.com/support

SHIPPING SCALE

MODEL:GSSU-FTS015/016/017/018/019/0110

We continue to be committed to provide you tools with competitive price.

"Save Half", "Half Price" or any other similar expressions used by us only represents an estimate of savings you might benefit from buying certain tools with us compared to the major top brands and does not necessarily mean to cover all categories of tools offered by us. You are kindly reminded to verify carefully when you are placing an order with us if you are actually saving half in comparison with the top major brands.

VEVOR[®]

TOUGH TOOLS, HALF PRICE

SHIPPING SCALE

MODEL:GSSU-FTS015/016/017/018/019/0110







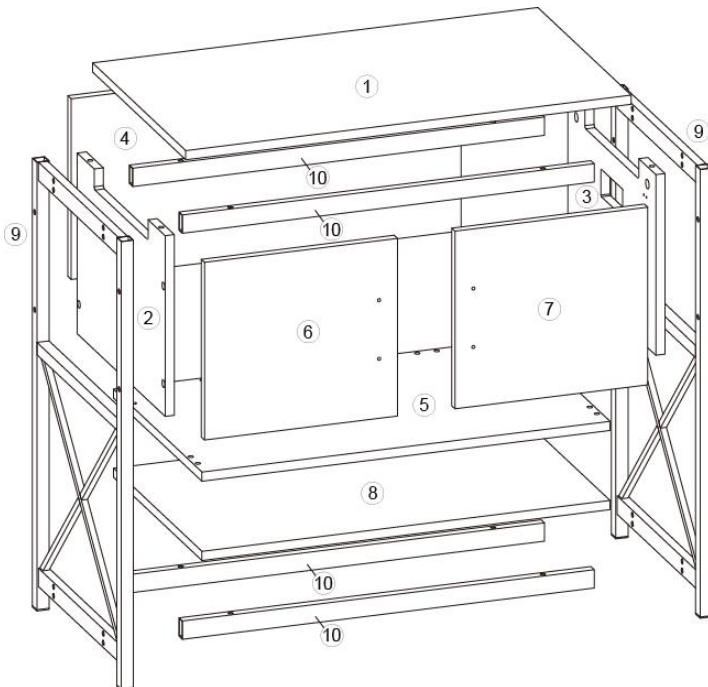
NEED HELP? CONTACT US!



















Have product questions? Need technical support? Please feel free to contact us:

Technical Support and E-Warranty Certificate
www.vevor.com/support

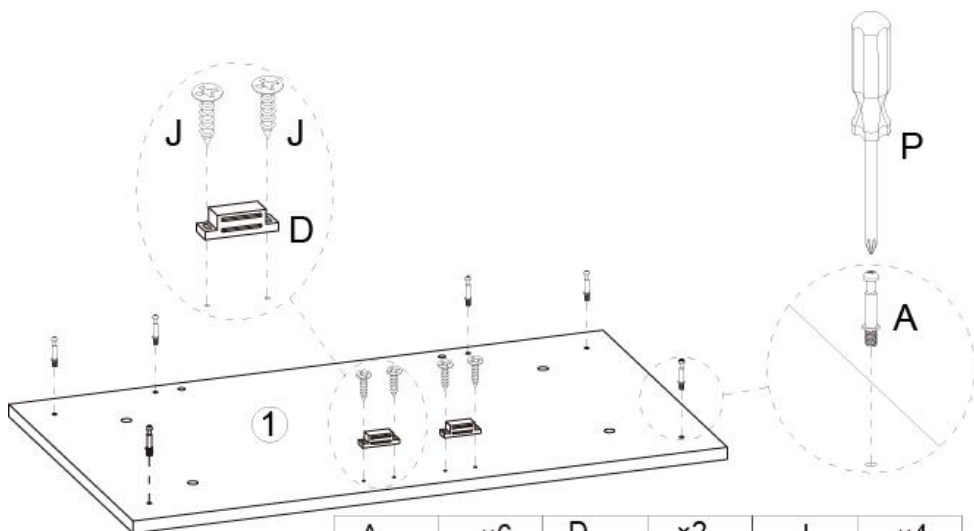
This is the original instruction, please read all manual instructions carefully before operating. VEVOR reserves a clear interpretation of our user manual. The appearance of the product shall be subject to the product you received. Please forgive us that we won't inform you again if there are any technology or software updates on our product.




	<p>Warning-To reduce the risk of injury, user must read instructions manual carefully.</p>
	<p>This device complies with Part 15 of the FCC Rules. Operation is subject to the following two conditions:(1)This device may not cause harmful interference, and (2)this device must accept any interference received, including interference that may cause undesired operation.</p>
 	<p>This product is subject to the provision of European Directive 2012/19/EC. The symbol showing a wheelie bin crossed through indicates that the product requires separate refuse collection in the European Union. This applies to the product and all accessories marked with this symbol. Products marked as such may not be discarded with normal domestic waste, but must be taken to a collection point for recycling electrical and electronic devices</p>



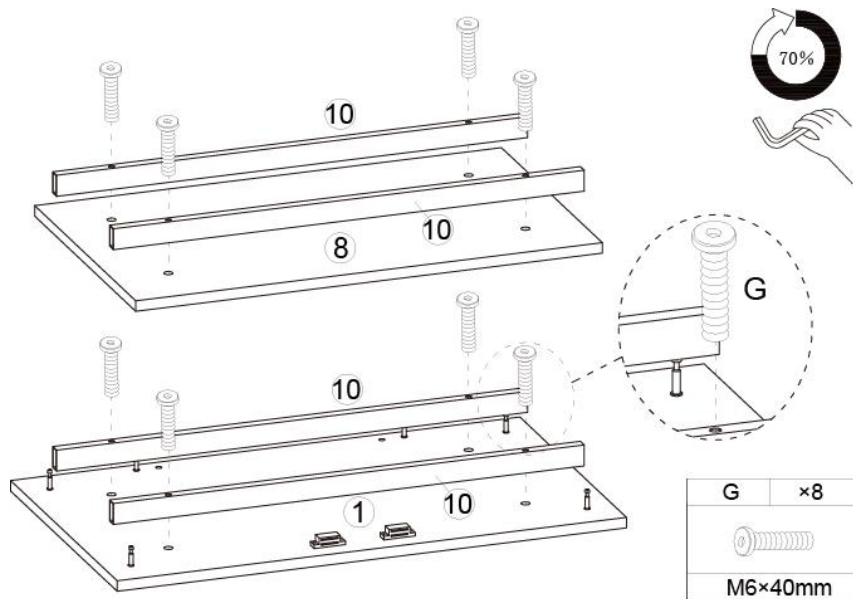
A	×6	B	×6	C	×8	D	×2	E	×2
									
Ø6×35mm		Ø15×12mm		Ø8×30mm					
F	×4	G	×24	H	×8	I	×6	J	×34
									
		M6×40mm		M6×30mm		Ø7×40mm		3.5×14mm	
K	×2	L	×4	M	×1				
					OR		OR		
		M4×18mm							
N	×4	O	×1	P	×1				
									
		M4							

STEP1

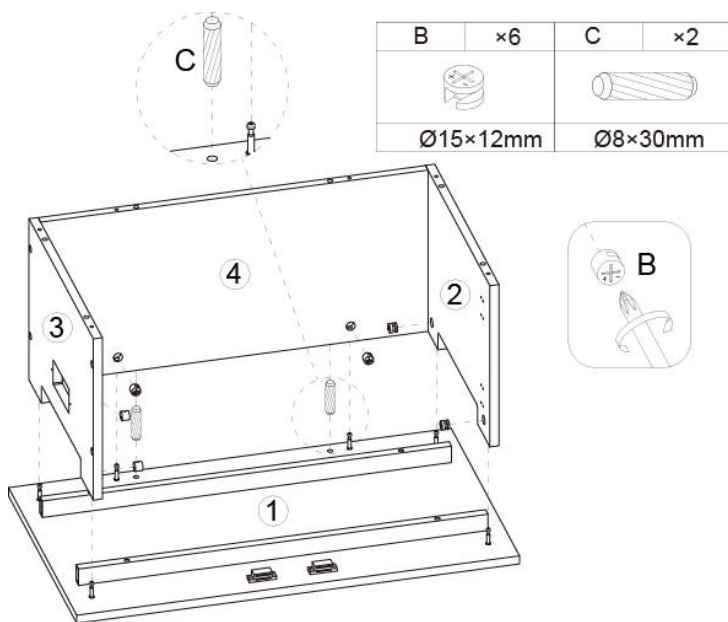


A	×6	D	×2	J	×4
					
Ø6×35mm				3.5×14mm	

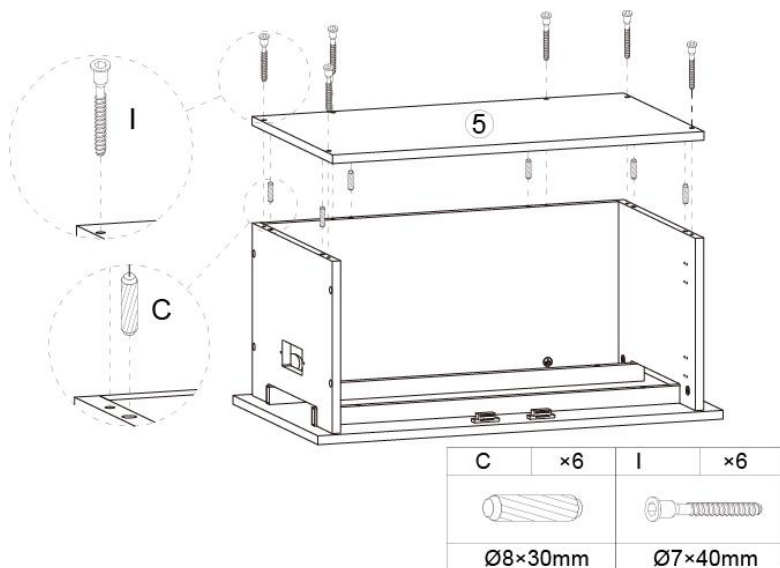
STEP2



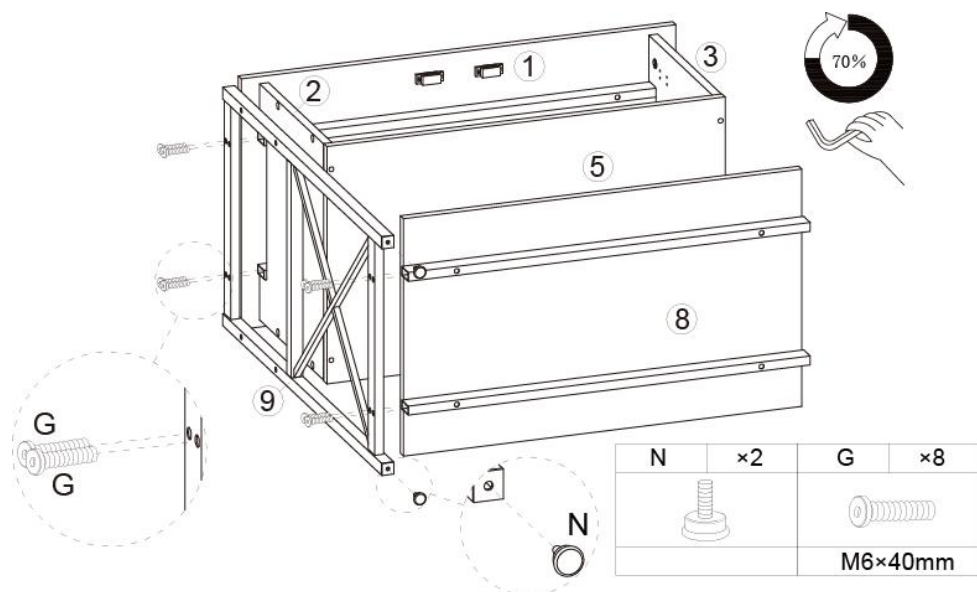
STEP3



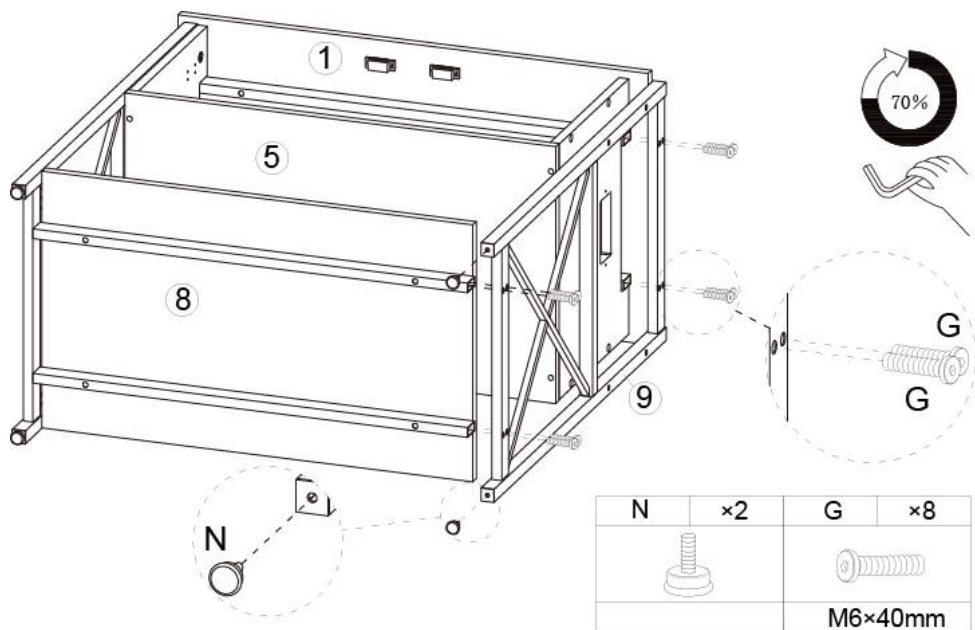
STEP4



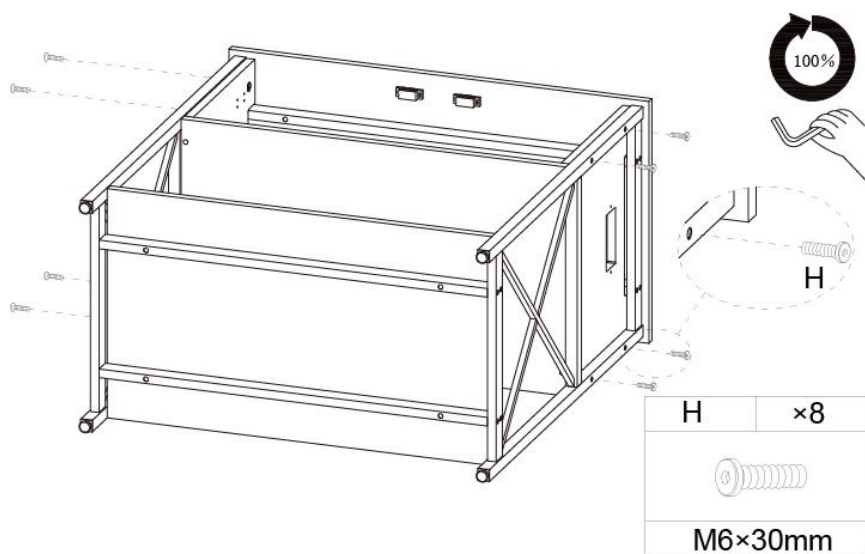
STEP5



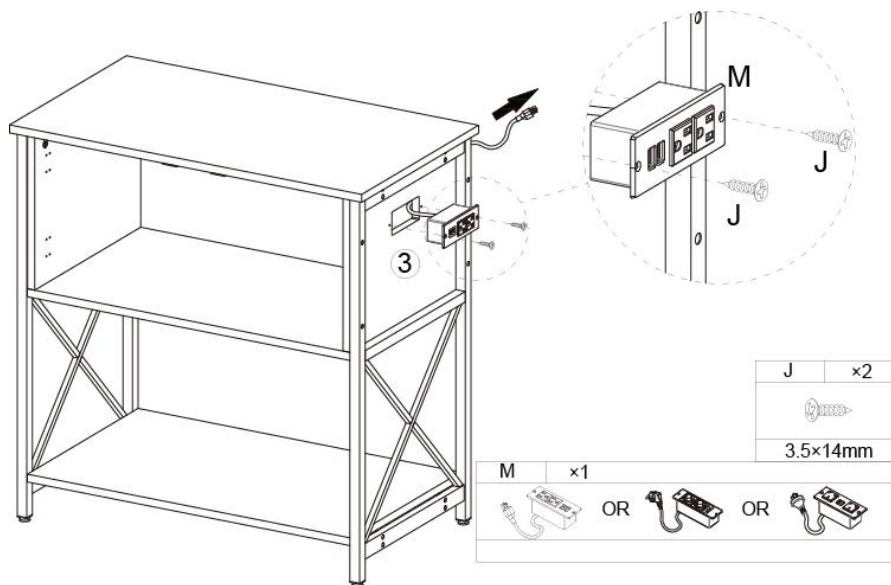
STEP6



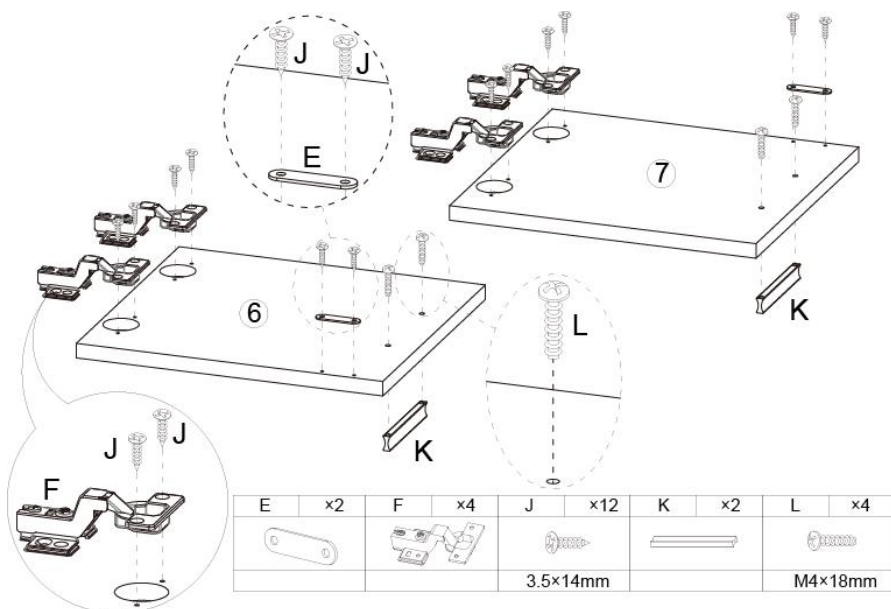
STEP7



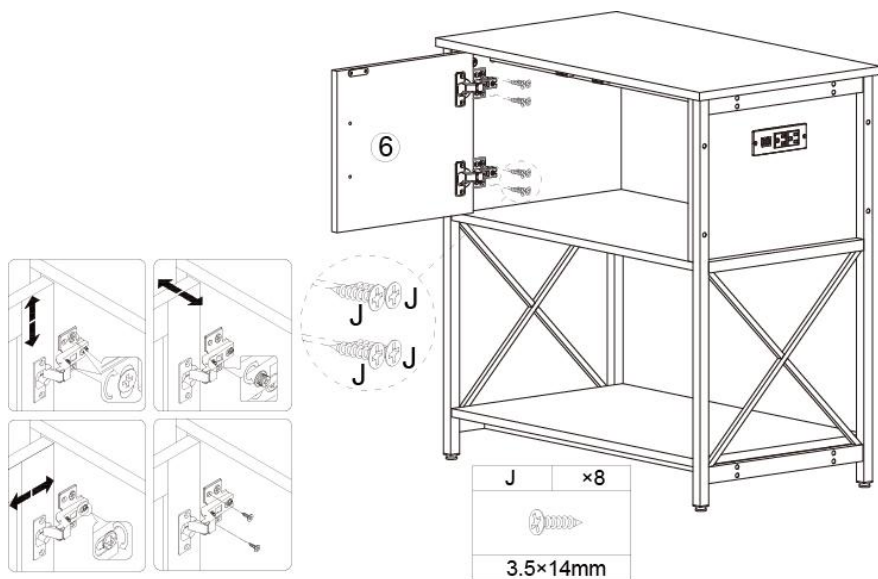
STEP8



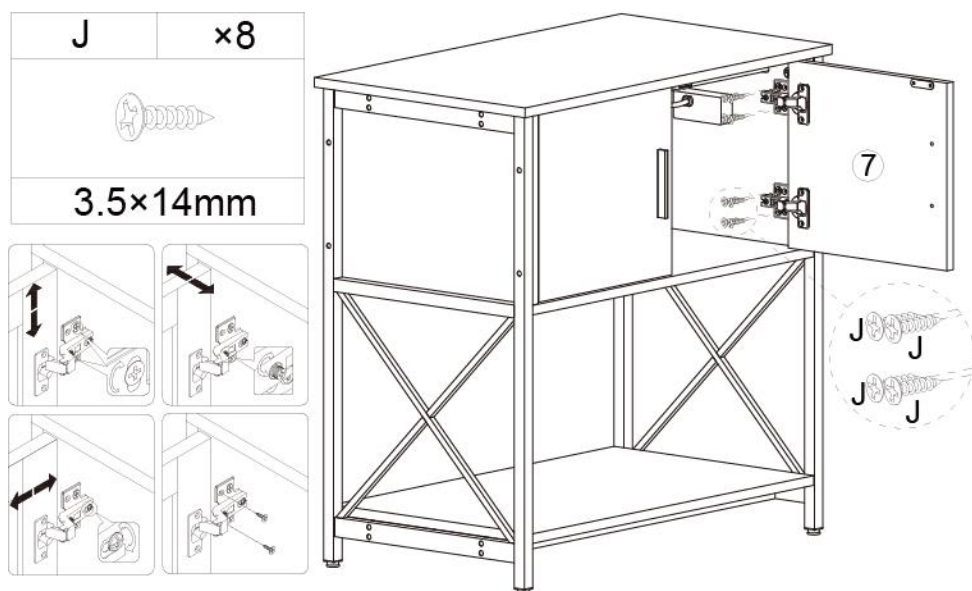
STEP9



STEP10



STEP11



STEP12



Address: Baoshanqu Shuangchenglu 803long 11hao 1602A-1609shi
Shanghai

Imported to AUS: SIHAO PTY LTD, 1 ROKEVASTREETEASTWOOD
NSW 2122Australia

Imported to USA: VEVOR STORE INC, 9448 RINCHMOND PL #E
RANCHO CUCAMONGA, California, 91730 United States of America



Pooledas Group Ltd
Unit 5 Albert Edward House, The Pavilions
Preston, United Kingdom



SHUNSHUN GmbH
Römeräcker 9 Z2021, 76351
Linkenheim-Hochstetten, Germany

Made In China

VEVOR[®]

TOUGH TOOLS, HALF PRICE

Technical Support and E-Warranty Certificate

www.vevor.com/support