



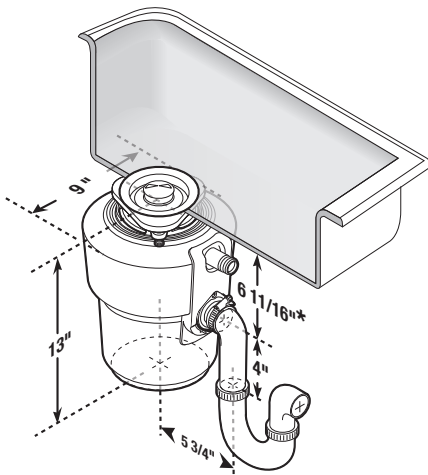
Food Waste Disposers

QUIET SERIES

Evolution Excel®



Dimensions



* Add 1/2" when stainless steel sinks are used.

Submittal Sheet

The ultimate in disposer performance. Nothing grinds more with less noise.

- **Easy Swap.** Designed to fit existing InSinkErator disposers.
- **3-Stage MultiGrind® Technology** for heavy-duty food scraps like beef bones.
- Features exclusive **Jam-Sensor® Circuit** that increases motor torque 500% to automatically break through the toughest jams.
- **Highest Durability.** Alloy stainless steel components with LeakGuard Liner.™
- Quietest disposer on the market, with extra insulated **SoundSeal® Technology.**

Sample Specification

Food Waste Disposer(s) shall be InSinkErator Model Evolution Excel® with MultiGrind® and SoundSeal® technologies, 1.0 HP motor, Auto-Reverse Grind System®, Stainless Steel Grind Chamber and components.

Warranty:
10-Year parts and in-home service.

* The complete InSinkErator warranty is included in the Care & Use Booklet packed with each unit.

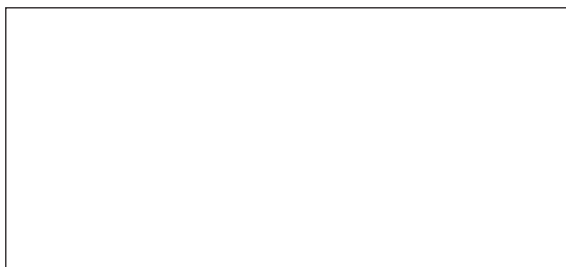


Food waste is roughly 80% water. By using your disposal regularly, you can help divert food waste from landfills and reduce greenhouse gas emissions. Make sustainability a family affair by using your disposal. After all, the smallest changes can make the biggest impact.

Specifications

Type of Feed	Continuous
On/Off Control	Wall Switch
Motor	Single Phase
HP	1.0
Volts	120
Reversing	Auto-Reverse Grind System® feature
HZ	60
RPM	1725
Amp. (Avg. Load)	10.2
Time Rating	Intermittent
Lubrication	Permanently Lubricated Upper & Lower Bearings
Shipping Weight (Approx.)	23.0 lbs.
Unit Finish	Stainless Steel Light Gray
Overall Height	13"
SoundSeal Plus Technology	Anti-Vibration Mount® Anti-Vibration Tailpipe Mount™ Quiet Collar® Sink Baffle Multi-Layer SoundLimiter™ Insulation
MultiGrind Plus Technology	GrindShear Ring® Tri-Action Lug® System feature Undercutter Disk® Jam-Sensor® Circuit
Grind Chamber Capacity	40 oz.
Motor Protection	Manual Reset Overload
Average Water Usage	Approx. 1 Gallon Per Person Per Day
Average Electrical Usage	3-4 KWh Per Year
Drain Connection	1-1/2" Anti-Vibration (Hose Clamp)
Dishwasher Drain Connection	Yes

Job Specifications



The Emerson logo is a trademark and service mark of Emerson Electric Co. The mounting collar configuration is a trademark of Emerson Electric Co.

InSinkErator may make improvements and/or changes in the specifications at any time, in its sole discretion, without notice or obligation and further reserves the right to change or discontinue models.

1-800-558-5700
www.insinkerator.com