

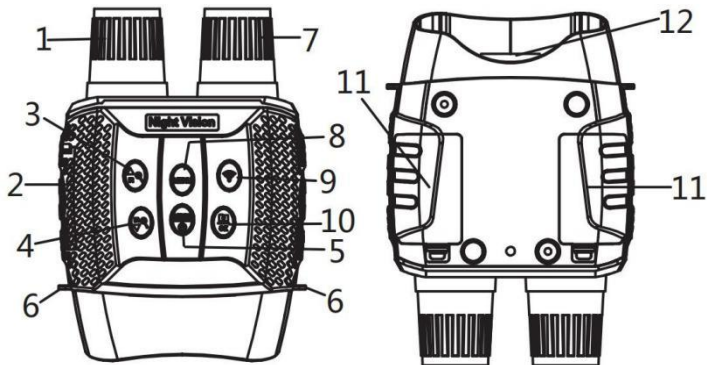
HUDAKWA

NV-B1

User Manual



➤ Product Overview



1. Focus Wheel	2. USB Port/TF Card Slot
3. IR Up/Zoom In/Up	4. IR Down/Zoom Out/Down
5. Power/Mode	6. Strap Hole
7. IR LEDs	8. Menu/Return
9. Turn On/Off WIFI	10. Shot/OK
11. Battery Box	12. Binoculars Screen

➤ Specification

- Static Image Size: 1.3M(1280x960)/ VGA(640x480)
- Video Resolution: 960P(1280x960@30FPS)
VGA(640x480@30FPS)
- Lens Angle: FOV=10°, diameter=24mm
- Screen: Inner screen: 2.31" TFT LCD, 960*240
View screen: 98*48mm, with 3X large magnifier
- WIFI: 2.4G, distance=82ft
- Storage Media: Micro SD card, up to 32GB
- USB Port: Micro USB 2.0
- Auto power-off: 3 min/ 5 min/ 10 min/OFF
- IR LED: 3W, 850nm strong infrared spotlight, 7 grades
infrared adjustment
- Viewing Distance in Complete Darkness: About 984ft
- Viewing Distance in Low Light: 9.84ft~infinity

- Digital Zoom: 4x Digital Zoom
- Power Supply: 9V; 6x1.5V AA Alkaline Battery
- Operating Temperature: -4°F to +122°F
- Storage Temperature: -22°F to +144°F
- Dimension/Weight: Approx 8.11*5.43*2.12 inch/ 1.32 lb

Basic operation

➤ Install Batteries

Open the battery box, install **six** 1.5V AA Alkaline batteries according to the polarity mark in the battery box.

Please keep the batteries away from WATER and FIRE.

➤ **Install Memory Card**

1. Please prepare a Class10 Micro SD card (up to 32GB) in advance;
2. Open the card slot cover. Insert the Micro SD card into the slot. Make sure the direction is right. Never insert the card forcibly;
3. Please format the memory card before using. It will improve the compatibility of the card.

Notice:

The device will prompt "No Card" if the memory card is not installed.

The device will stop recording automatically when the memory card is full.

➤ **Startup & Shutdown**

Long press the “**MODE**” button for 3 seconds to turn on the binoculars. Long press it again to turn off.

➤ **Image Adjustment**

- ◆ Viewing screen and **rotate the focus wheel** until the vision become clearer.
- ◆ If you usually wear glasses, please keep them on while using the binoculars.
- ◆ Make sure the IR is off in daylight (The screen will be black-and-white if IR turn on, otherwise the screen should be colorful.)
- ◆ When at night, please make sure you have turned the IR on by pressing the “**IR +**” button.

➤ IR-LED (Night Vision Function)

- ◆ For night or insufficient light using, the binoculars has 7 levels of IR brightness to adjust.
- ◆ Press the "IR +" or "IR -" to adjust brightness, meet the demands of the changing requirement of you in different environments.

Notice:

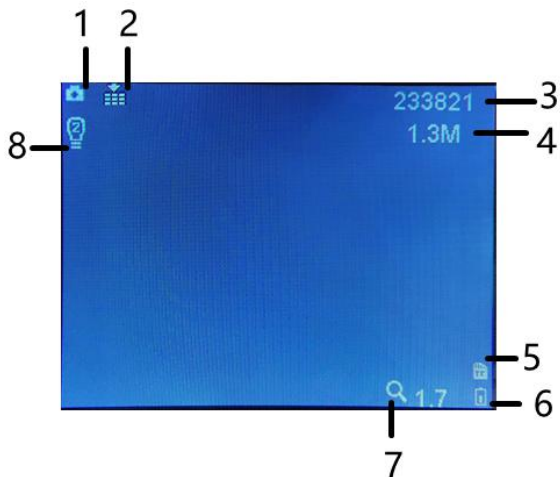
When the battery voltage is not enough, the IR-LED level will go down automatically.

IR level can up to 7 when the batteries fresh.

When only left half power, the IR level can be up to 5.

When only left 25% power, the level just can be up to 3.

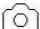
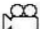

When the battery power is lower than 25%, IR-LED cannot be activated.





1	Mode	5	Memory Card
2	Night Vision Sensitivity	6	Battery Status
3	The Number of Pictures You Can Take	7	Indicating the Zoom in Levels up to 4X
4	Image Resolution	8	Indicating IR Levels(1-7)

➤ Change The Mode

Pressing the “ **MODE**” button can change the mode.

Icon	Mode	Function
	Photo Mode	Taking Photos
	Video Mode	Recording Videos
	Playback Mode	Check the Files

➤ Take Pictures/ Record Videos

1. The default mode of the binoculars is video.
2. Keep pressing the  or  button to zoom in or zoom out the image. The value of magnification level will appear on the lower right of the screen.
3. Press the "OK" button to take photos or record videos. Press again to stop it.

➤ Playback

1. Press the "**MODE**" button to playback mode.
2. Press " +/- " button to view photo or video files.
3. Press the "**OK**" to play videos.Press again the video will be paused.
4. Press "**MENU**" button can delete or lock the file.

➤ Setting List

Menu	Function/Return
[MP] Photo Resolution	Set the photo resolution Options:[1.3M]/[VGA]
[HD] Resolution	Set the resolution Options:[960]/[VGA]
Night Vision Sensitivity	Choose the night vision sensitivity Options:[Low]/[Middle]/[High]
Language	Set OSD (on-screen) language Options:[English]/[Simplified Chinese/ [Traditional Chinese]/[Japanese]
Date Setting	Set the date and time of device

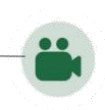
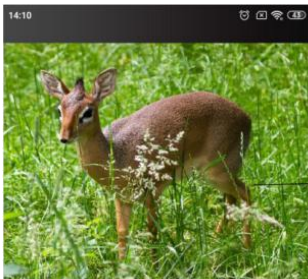
Auto Power-off	Options:[1min]/[3 min]/ [5 min]/ [10min]/[OFF]
HZ	Options:[50Hz]/[60Hz]
Date Label	Options:[YES]/[NO]
Format	Please copy your important files before you format the memory card. Options:[Yes]/[No]
Restore Factory	Options:[Yes]/[No]
WIFI Password	9 digit password can be set. Password consists of uppercase and lowercase letters and numbers.
Version	Ver 0001

Wireless Connection

The APP "NV PLUS" can be downloaded from "Apple AppStore" or "GooglePlay" .

➤ Remote Control by WIFI Connecting

1. Press "**WIFI**" button(9) to enter WIFI mode.
(The screen will go blank after you being connected to the wifi. You can only preview images or videos via your APP.)
2. Open the WLAN network on your smartphone, find the account named "**NV_xxxxxxx**".
The original password is "**123456789**".
3. After the connection completes, go back to the main interface of the APP. You can view images in real-time, set options, take photos, record videos, view and download files, delete files, etc.



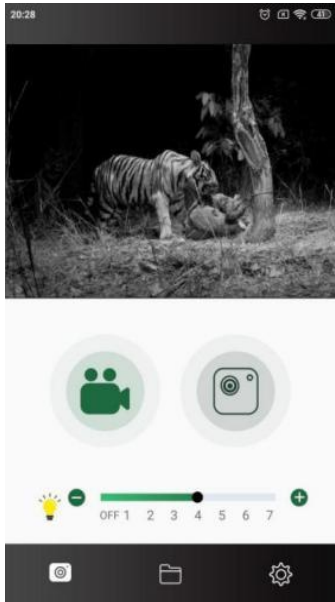
1	Real-time image	2	Taking photos
3	Setting	4	File
5	Current page	6	IR Level (1-7)
7	Video recording		

➤ **Real-time image**

- ◆ Click the "**Video**" to record in real-time. Click it again to stop recording.
- ◆ Click the "**Photo**" button to switch to the photo mode, and click it again to take the real-time photos.
- ◆ When at night or observing in dark, please click the "+" button to turn on the IR. Its 7 levels of infrared light, pressing " + " to increase the gear and pressing " - " to decrease the gear. (It will synchronize with the power of the product to automatically downshift.)

Notice:

The infrared light cannot be turned on when the power is less than 25%.



➤ Files in the APP

- ◆ To check the files you just took, click the "**Device**" in the top left corner to select,download or delete.
- ◆ To view the photos or videos that have been downloaded in the smartphone, click the "**Local**" in the top right corner to select, download or delete.

➤ Download Files

- ◆ By inserting the memory card into a card reader;
- ◆ By connecting the device to a computer with the supplied USB cable.

NOTICES ON CLEANING

- ◆ To avoid scratching the lenses, please use the cleaning cloth gently to wipe the device.
- ◆ To avoid damaging the electronics, do not use any cleaning fluid.
- ◆ Protect the device from dust and moisture and store it in a bag or box.
- ◆ Please remove the batteries if don't use the device in a long time.

