

2-SLICE TOASTER

USER MANUAL



Model NO.: WT-330D

Read all the instructions before using it and save it for future reference.
If there is any problem with the product, please contact
support@crowndful.com

TABLE OF CONTENTS

Important Safeguards.....	1
Hot Surfaces- Risk of Burns.....	2
Product Specifications.....	2
Parts and Features.....	3
Preparing Toaster for First Use.....	5
Using the Toaster.....	5
Cleaning and Storing Your Toaster.....	8
Troubleshooting.....	9
Package Contents.....	9

IMPORTANT SAFEGUARDS

When using electrical appliances, basic safety precautions should always be followed, including the following:

1. Read all instructions.
2. Do not touch hot surfaces. Use handles, knobs or wear protective gloves.
3. To protect against electric shock, keep the unit, the power cord or any of its parts away from moisture or any liquid.
4. Close supervision is necessary when any appliance is used by or near children.
5. Unplug from outlet when not in use and let it cool first before cleaning.
6. Do not operate the appliance when the power cord is damaged. If the appliance malfunctions, or has been damaged in any manner, please contact the seller.
7. Do not use outdoors.
8. Keep the power cord secured and away from hot surfaces. Do not let it hang off the counter top where it can be snagged or pulled off unintentionally.
9. Do not place on or near a hot gas or electric burner or on top of any oven such as a microwave oven.
10. Do not use this appliance for other than its intended use.
11. The use of accessories that are not recommended by the appliance manufacturer may cause damage to the unit and serious injury to the user.
12. To power off, press the Cancel button, and then remove the cord by grasping and pulling out the plug from the wall outlet. Never unplug by pulling the cord.
13. Extreme caution must be used when moving an appliance containing hot oil, or other hot liquids.
14. Oversized foods, metal foil packages or metal utensils must not be inserted into the Toaster, as they may create a fire or cause electric shock.
15. While operating, a fire may occur if the Toaster is covered or get in contact with flammable or combustible materials like curtains, draperies, walls and the like. Do not store, or lay any item on the Toaster during operation.
16. Do not attempt to dislodge food when the Toaster is plugged in or being used.
17. Maintenance service should only be performed by an authorized service provider.

HOT SURFACES- RISK OF BURNS

CAUTION: HOT SURFACE!



Do not touch hot surfaces. Use protective gloves or tongs to remove the food from the toaster.

The exterior of the toaster may get hot during operation. Do not touch the outer surface of the toaster while it is being used. Always keep your hand, face, and arm as well as any clothing and other heat-sensitive objects away from the slots during operation.

IMPORTANT: Make sure the breadcrumb plate is in place before using the toaster. Otherwise, crumbs may burn on the bottom of the toaster and would stick to the surface.

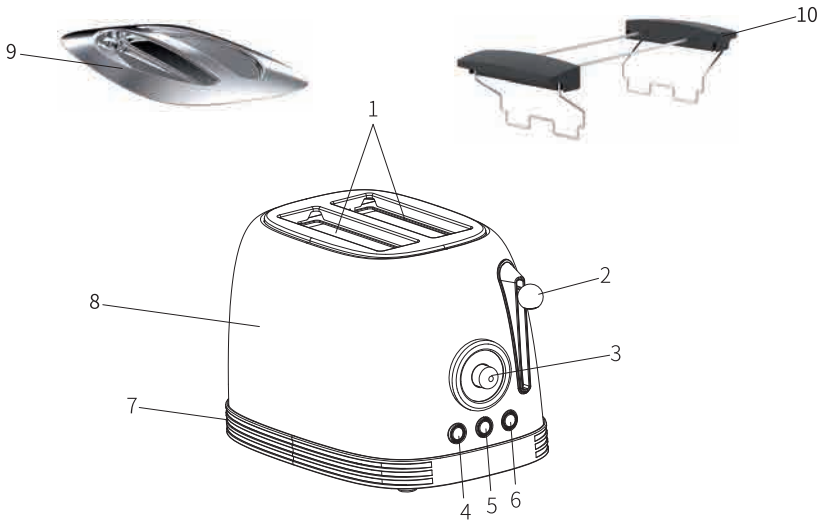
IMPORTANT: Make sure the Browning control is set at the correct level before each toasting process.

WARNING: Make sure there is no leftovers or foreign materials in the slot before operation. Do not use tools or accessories that are not part of the package unless the manufacturer confirms it's safe to use. Do not poke the slot to avoid electric shock or damage to the heating element. Don't use force when cutting bread.

PRODUCT SPECIFICATIONS:

Product Name	Crownful 2-Slice Toaster
Model Number:	WT-330D
Rated Voltage:	120V,60Hz
Rated Wattage:	825W
Product Weight:	About 4.41lbs (2kg)
Product Dimensions:	About 11.5*7.1*7.3 IN

PARTS AND FEATURES



1. Bread Slots	6. Defrost Button
2. High-lift Lever	7. Removable Crumb Tray
3. Browning Control Knob	8. Stainless Steel Housing
4. Bagel Button	9. Slots Cover
5. Cancel Button	10. Grill Stand

TOASTER FEATURES

The Bread Slots

Put the bread slices into the bread slots. Each slot can fit a 5.51 X 5.51 Inches bread up to 1.53 inches thick.

The High-lift Lever

The High Lift Lever is great even for small sized breads. It makes the breads more accessible by lifting the bread or bagel higher in the slots after toasting.

The Browning Control Knob

Turn the browning control knob to set your desired browning level or reheat the bread. There are “Reheat” Function and 6-level browning settings (1, 2, 3, 4, 5, 6) for you to choose. Time setting is from 30-210'S (each one is 30's)

The Bagel Button

This is a one-sided toasting function, mainly used to heat the bagels. When this function is selected, the entire heating process performs one-sided heating.

The Cancel Button

At any time during the toasting process, pressing the cancel button will immediately turn off the heating elements and lift the food up.

The Defrost Button

This feature will defrost frozen toast and then automatically start the toasting cycle.

The Reheat Function

This feature allows you to place finished toast that has cooled, back in the Toaster to reheat. You can turn the browning Control Knob to set the "REHEAT" function.

The Removable Crumb Tray

The Crumb Tray is easily accessible and removable. The drawer-like tray is placed at the rear of the Toaster. The tray itself is made of aluminum and is dishwasher safe (Wash in top rack only).

The Stainless Steel Housing

The durable all-stainless steel upper exterior gives a durable classy finish and makes the unit easy to clean.

PREPARING TOASTER FOR FIRST USE

Please follow these steps to prepare the toaster before first use.

1. Carefully unpack the contents from the box and check to make sure all accessories are included and check if the Toaster and its accessories are to be free of any physical damage. If you discover any damage or missing parts, please contact our customer service at support@crowndful.com
2. Remove any printed material or tape from the Toaster, and then inspect the interior by looking down into the slots to make sure there are no packaging materials, or foreign objects inside the Toaster. Do not use any metal objects in cleaning and probing the internal slots as this may cause damage.
3. Unwrap and remove the packaging thoroughly, untangle the power cord and connect it to a power outlet to start using it.
4. Turn the Browning Control Knob to the highest level of “6”.
5. Without placing any bread products in the Toaster, push the High-Lift Lever down until it locks into place. The Toaster will heat up to toasting temperatures and run for approximately 4 minutes. Repeat this process again for a second time. You may observe some light smoke or odor. This is normal and we recommend running one or two cycle without bread products to prepare the unit.
6. Your new Toaster is now ready to use for bread toasting.

USING THE TOASTER

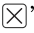
Toasting Bread

1. Plug the toaster into a grounded wall outlet.
2. Place one or two slices of fresh bread into the Toaster.
3. Turn the Browning Control Knob to set the level of shade to the desired setting; number 6 being the darkest.
4. Press the High-Lift Lever all the way down until it locks into place. The toasting cycle will begin immediately.
5. Once the cycle is complete, the lever will lift the toast up for removal. If the bread products are smaller in size and hard to reach safely, gently lift the lever up to raise the

toast higher in the slots.

6. The toast and the surface surrounding the slots will be hot. To avoid burns, use with extreme caution when removing the toast from the Toaster.

Remark:

1. If at any time you want to stop the toasting process, simply press the Cancel button ‘’ and the unit will turn off and lift the product.


2. For Croissant and the oversize Bun (5.51 X 5.51 Inches bread up to 1.53 inches thick), we suggest using the Grill Stand to Reheat and Rewarm the bread.

Toasting Bagels (or English Muffins)

By turning off the outer heating elements, the Bagel function will toast the sliced side of the bagel, while gently warming the soft, unsliced side.

1. Place one or two sliced bagel halves into the Toaster. Insert the bagel (or English muffin) halves so that the sliced side faces the center of the Toaster.


2. Turn the Browning Control Knob to set the level of shade to the desired setting; number 6 being the darkest. English muffins typically require a slightly higher setting than bagels.

3. Press the High-Lift Lever all the way down until it locks into place. And then press Bagel Button. ‘’ The toasting cycle will begin immediately.

4. Once the cycle is complete, the lever will lift the bagel or muffin up for removal. If the bread products are smaller in size and hard to reach safely, gently lift the lever up to raise the toasted food up higher in the slots.

5. The bagel and the surface surrounding the slots will be hot. To avoid burns, use with extreme caution when removing the bagel from the Toaster.

Remark:

1. If at any time you want to stop the toasting process, simply press the Cancel button ‘’ and the unit will turn off and lift the product.

2. For Croissant and the oversize Bun (5.51 X 5.51 Inches bread up to 1.53 inches thick), we suggest using the Grill Stand to Reheat or Rewarm the bread.

Reheating

Quickly reheat previously toasted food. Do not reheat food with butter or other toppings. Reheat only dry food products.

1. Place the previously toasted food into the Toaster.
2. Turn the Browning Control Knob to “REHEAT”.
3. Press the High-Lift Lever all the way down until it locks into place. The toasting cycle will begin immediately.
4. Once the food has been adequately heated, the unit will raise the food.
5. The food and the surface surrounding the slots will be hot. To avoid burns, use with extreme caution when removing the toast from the Toaster.

Remark:

1. If at any time you want to stop the toasting process, simply press the Cancel button ‘☒’ and the unit will turn off and lift the product.
2. For Croissant and the oversize Bun (5.51 X 5.51 Inches bread up to 1.53 inches thick), we suggest using the Grill Stand to Reheat or Rewarm the bread.

Defrost

Defrost and toast frozen bread in one easy step. Frozen waffles, pancakes, and french toast should be warmed using the Defrost function.

1. Insert the frozen bread into the Toaster.
2. Turn the Browning Control Knob to set the level of shade to the desired setting; number 6 being the darkest.
3. Press the High-Lift Lever all the way down until it locks into place and then press the Defrost button ‘☒’ The Defrost cycle will begin immediately. Once the Defrost cycle is complete, the toasting process will automatically begin. At the end of the Toast cycle, the lever will lift the food up for removal.
4. The toast and the surface surrounding the slots will be hot. To avoid burns, use with extreme caution when removing the toast from the Toaster.

Remark:

If at any time you want to stop the toasting process, simply press the Cancel button ‘☒’ and the unit will turn off and lift the product.

The Suggestion of Setting:

Browning Level	Setting	Time
Light	1	about 70s
	2	about 110s
Medium	3	about 130s
	4	about 155s
Dark	5	about 180s
	6	about 210s

Remark:The above timetable is for your reference, the actual toasting time depends on the browning level you set and may vary slightly (up to 10s shorter or longer) according to the ambient temperature and the cycle times.

Tips

- Drier bread typically requires a lower darkness level setting than normal.
- Fresh and whole wheat bread typically require a higher darkness level setting than normal.
- For Croissant and the oversize Bun (5.51 X 5.51 Inches bread up to 1.53 inches thick), we suggest to use Grill Stand to Reheat or Rewarm it.
- Be more cautious when toasting pastries as the filling can become very hot before the surface is toasted. Never toast or warm these unattended.
- Never force foods into the toasting slots.
- After each use, unplug the Toaster from the electrical outlet.

CLEANING AND STORING YOUR APPLIANCE

1. Turn off the toaster (use the Cancel button ‘☒’) before cleaning. Unplug your toaster and let it cool. Then remove the breadcrumb plate or clean or move the toaster.
2. Pull out the crumb tray and empty the crumb tray. You may clean the crumb tray and rolls tray in a warm dishwasher. Thoroughly dry the trays after cleaning. You may let them dry naturally or wipe them with a soft clean towel.
3. Grasp the toaster on both sides and hold the toaster over a sink or large bowl and turn it upside down. Carefully shake the crumbs out of the toaster while turning the

toaster in all directions.

4. Wipe the exterior of the toaster with a damp soft cloth. Avoid spilling or dripping water or any other liquids in the toaster.
5. Insert the crumb tray at the bottom of the toaster.
6. If the appliance will not be used for a long period of time, clean the appliance before storage. Use the slots cover to cover the appliance and wind the power cord around the cord storage at the bottom of the appliance.

CAUTION: Do not insert the crumb tray, when it is still wet or damp.

TROUBLESHOOTING

Please use the chart below to solve the problem. If the toaster is still not working properly, it may be defective. Please contact a qualified technician. DO NOT try to repair it by yourself. Otherwise, there is a risk of electric shock.

TROUBLE / ISSUE	POSSIBLE CAUSE	POSSIBLE RECTIFICATION
The appliance is not working	The appliance is connected to a non-working power supply	Connect the appliance to the power supply
The High-lift Lever does not stay down	The appliance is not plugged into a working power outlet.	Connect the appliance to a working power outlet. Turn on the browning control knob to the desired level.
Bread is jammed inside a slot	Bread is too thick, bent, damaged, or it is too soft so it got stuck.	Unplug the toaster and allow it to cool. Use rubber or plastic tongs to carefully remove the bread.

PACKAGE CONTENT

1X CROWNFUL 2-Slice Toaster

1 X Grill Stand

1X Slots Cover

1 X User Manual



*Thanks for trusting Crownful
for your household and kitchen needs!*



(Hope you have a wonderful cooking experience using the new CROWNFUL 2-slice toaster)



SUBSCRIBE to our newsletter to get yourself
Updated with our latest great deals, gifts and
valuable information about Crownful products.
<https://www.facebook.com/crownful.official>



Questions or Concerns?

Please contact support@crownful.com

12
Months

WARRANTY ASSISTANCE
Email: support@crownful.com



Scan to Follow Us



@crownful.official
Website: www.crownful.com