

A solid green vertical bar is positioned on the left side of the page, partially overlapping the title and subtitle.

Quick Start Guide

Wireless Video Kit, 150 Feet Range,
One to One HDMI, up to 1080P

GWHDKIT11
PART NO. Q1492

Package Contents

1

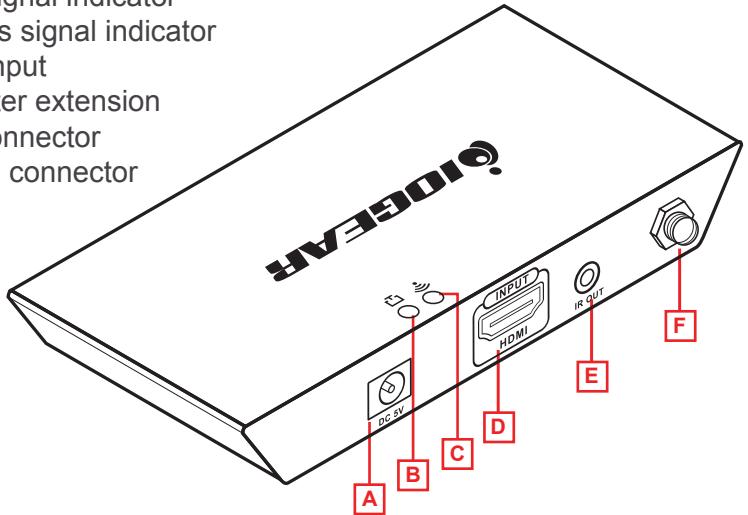
- 1 x HDMI Extender Transmitter
- 1 x HDMI Extender Receiver
- 1 x IR Blaster Extension Cable
- 1 x IR Receiver Extension Cable
- 2 x Antennas
- 2 x 5 VDC/2A Wall Mount Switching Power Supply
- 1 x Quick Start Guide

System Requirements

- 1 HDMI source device (DVD, PS3, Set top box, PC etc.)
- 1 HDMI display device (SDTV, HDTV, projector with HDMI port, etc.)

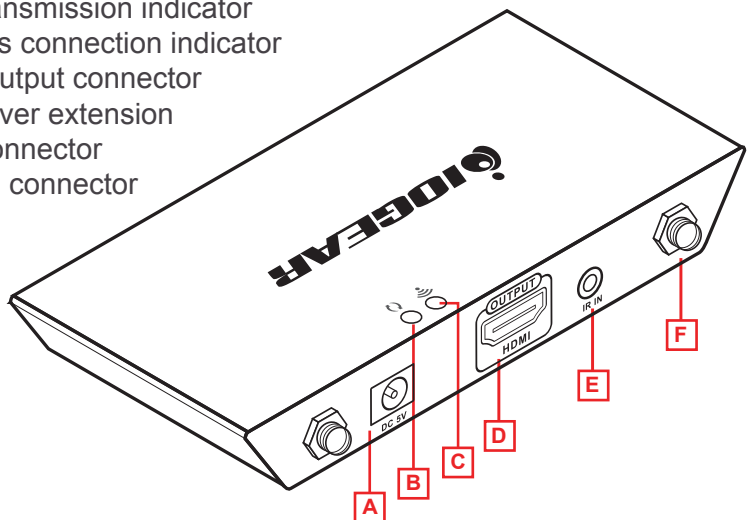
Transmitter

- A. Power input
- B. HDMI signal indicator
- C. Wireless signal indicator
- D. HDMI input
- E. IR Blaster extension cable connector
- F. Antenna connector



Receiver

- A. Power input
- B. Data transmission indicator
- C. Wireless connection indicator
- D. HDMI output connector
- E. IR receiver extension cable connector
- F. Antenna connector

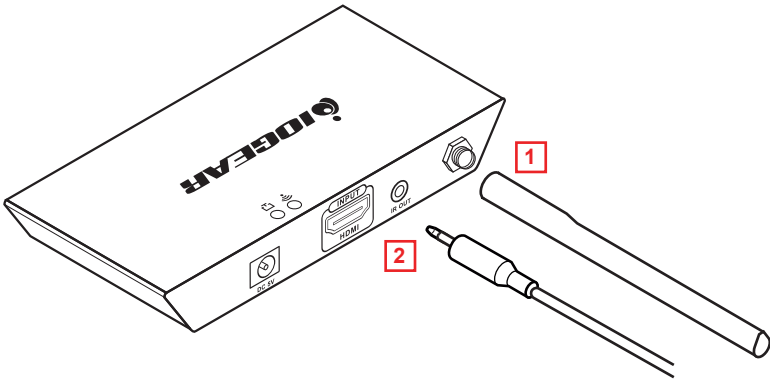


STEP 1

Install the antenna to the transmitter (F)

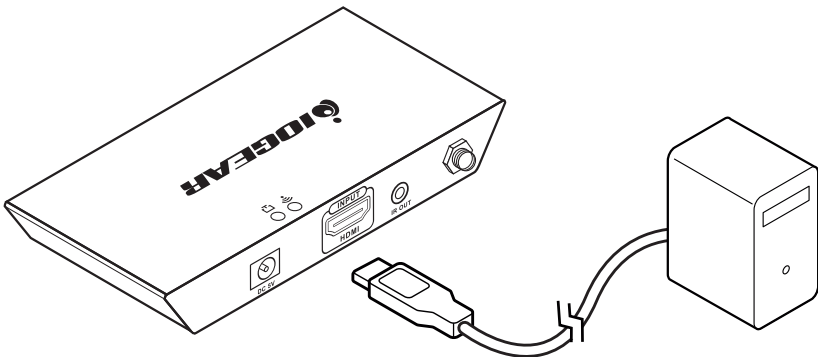
STEP 2

Connect the IR blaster cable to the connector (D)



STEP 3

Connect one side of the HDMI cable to the transmitter (D) and the other side to your video source

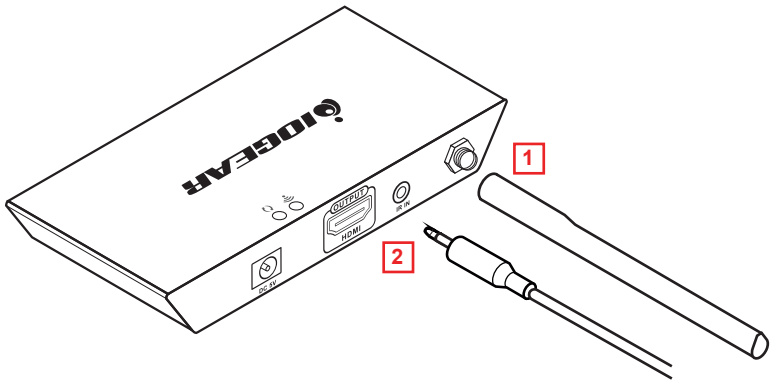


STEP 4

Install the antenna to the receiver (F)

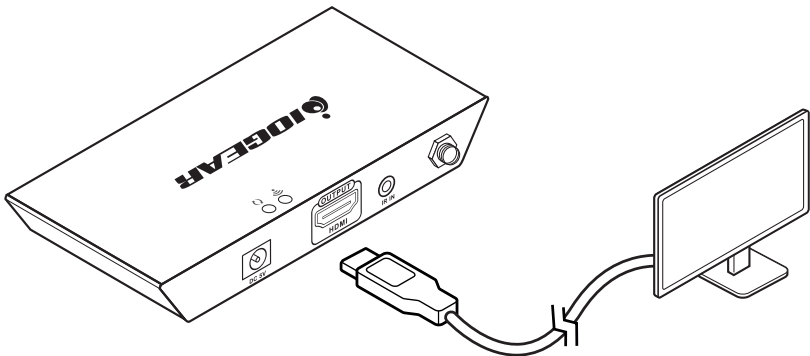
STEP 5

Connect the extension cable to the connector (E)



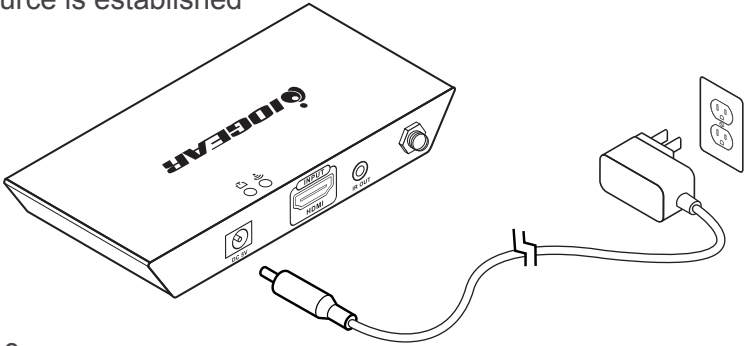
STEP 6

Connect one side of the HDMI cable to the receiver (D) and the other side to your video source



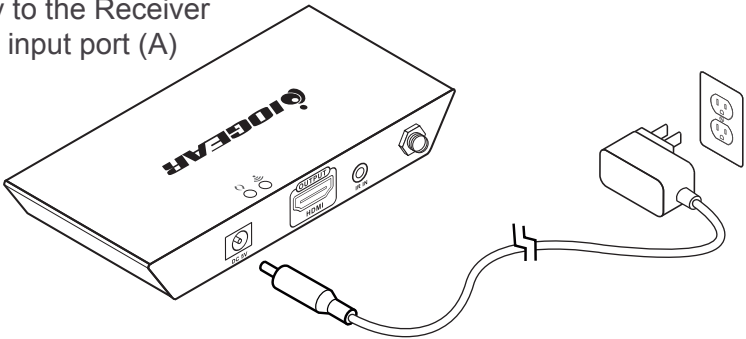
STEP 7

Connect 5VDC/2A power supply to the Transmitter power input port (A), the HDMI signal indicator (B) will light up when connection to the source is established



STEP 8

Connect 5VDC/2A power supply to the Receiver power input port (A)



STEP 9 Wireless connection indicator of the transmitter and receiver will light up when the transmitter and receiver connection is established wirelessly

If your video source and your display is on, you should be able to see the content of the source on your display

NOTE: *Distances may vary depending on environment. Solid and non-porous materials such as steel, concrete, brick and glass (varies depending on coating and thickness) may cause shorter viewing distances or loss of signal.

Q Transmitter and receiver cannot be connected wirelessly

- A
1. Please check if the wireless connection light is on and blinking
 2. Restart both transmitter and receiver
 3. Reconnect HDMI cables

Q The wireless indicator is on but no signal to the display

- A
- Please check and see if the video source is working correctly by connecting the HDMI cable directly to the display and see if the operation is now normal

Q Video is flickering or not stable

- A
1. Change the position of the transmitter and receiver and make sure that they are within the specified operating distance
 2. Restart the transmitter and receiver
 3. Reconnect the HDMI cables
 4. Check for any obstacles that may block the wireless signal from the transmitter to the receiver

Compliance Information

FCC Statement

This equipment has been tested and found to comply with the limits for a Class B digital device, pursuant to Part 15 of the FCC Rules. These limits are designed to provide reasonable protection against harmful interference in a residential setting. This product generates, uses, and can radiate radio frequency energy and, if not installed and used as directed, it may cause harmful interference to radio communications. Although this product complies with the limits for a Class B digital device, there is no guarantee that interference will not occur in a particular installation.

CE Statement

This device has been tested and found to comply with the following European Union directives: Electromagnetic Capability (2004/108/EC), Low Voltage (2006/95/EC) and R&TTED (1999/5/EC).

Limited Warranty

This product carries a 1 Year Limited Warranty. For the terms and conditions of this warranty, please go to <http://www.iogear.com/support/warranty>

Register online at <http://www.iogear.com/register>

Important Product Information

Product Model _____

Serial Number _____

Contact

WE'RE HERE TO HELP YOU!
NEED ASSISTANCE SETTING UP THIS PRODUCT?

Make sure you:

1. Visit www.iogear.com for more product information
2. Visit www.iogear.com/support for live help and product support

IOGEAR

iogear.custhelp.com
support@iogear.com
www.iogear.com