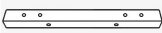

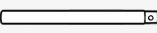
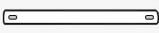
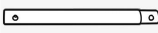
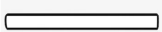













Installation Instruction

Double Rod Garment Rack

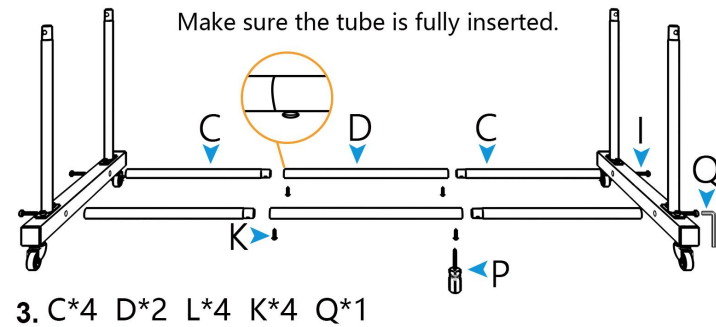
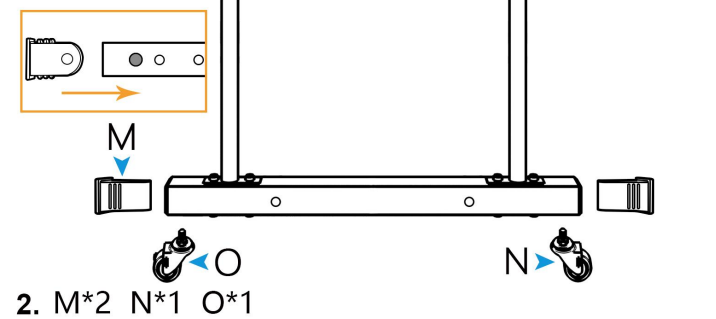
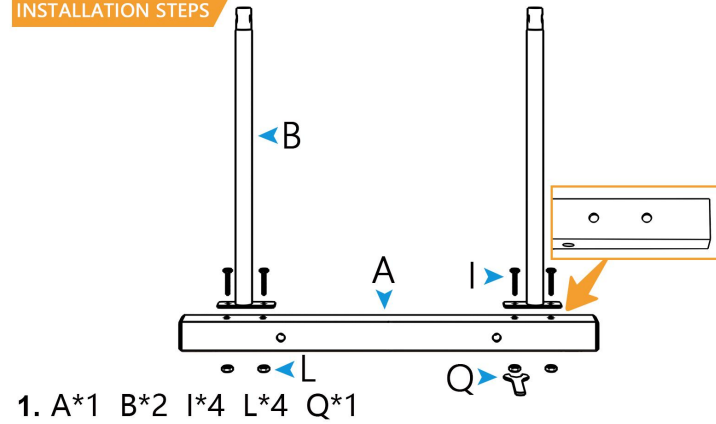
Accessories list

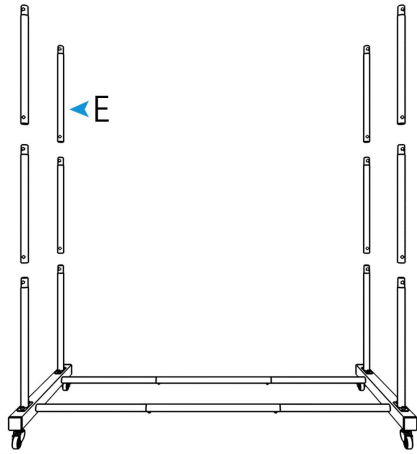
A	B	C	D	E
				
x2	x4	x4	x4	x8
F	G	H	I	J
				
x6	x2	x2	x12	x12
K	L	M	N	O
				
x8	x8	x4	x2	x2
P	Q			
				
x1	x1			

NOTICE

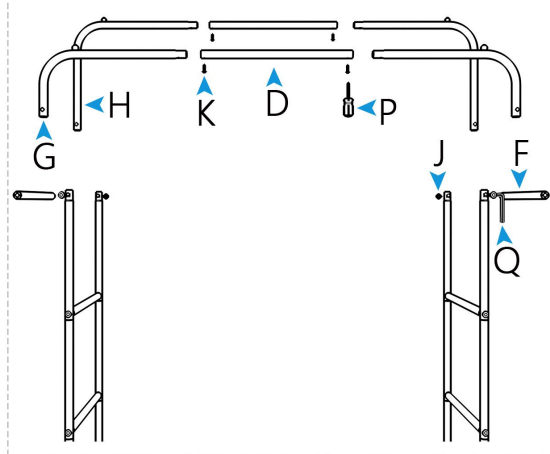
Please install carefully. Please carefully check whether the received accessories are consistent with the quantity on the instruction manual, and install with the correct accessories according to the installation steps, making sure that each screw has been tightened. If you have any questions, please contact us. Thanks for reading patiently.

INSTALLATION STEPS

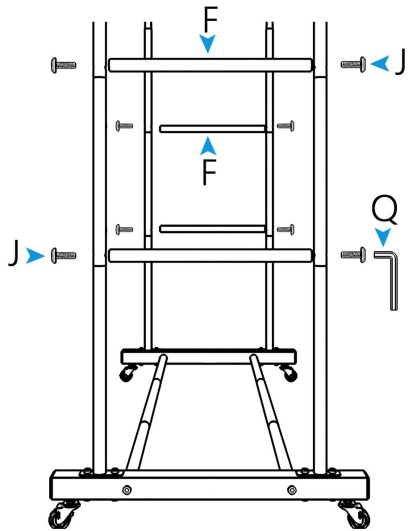




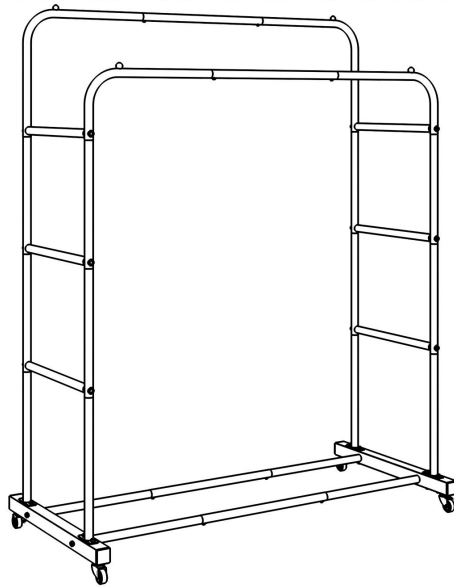
4. E*8



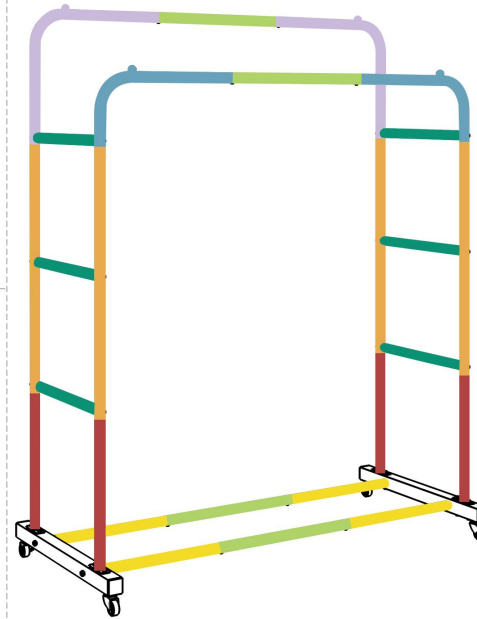
6. D*2 F*2 G*2 H*2 J*4 K*4 P*1 Q*1



5. F*4 J*8 Q*1



7.



B*4 C*4 D*4 E*8
F*6 G*2 H*2