

Shark ION™ ROBOT

EASE OF A ROBOT. PERFORMANCE OF A SHARK.™

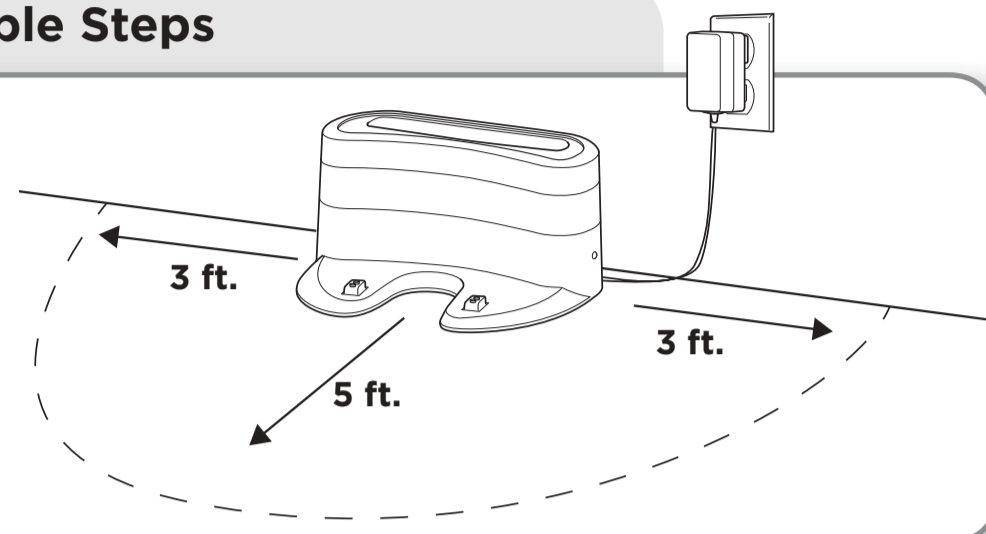
CONGRATULATIONS ON YOUR NEW SHARK ROBOT

Getting Started is Easy - Follow These Simple Steps

STEP 1

SET UP YOUR CHARGING DOCK

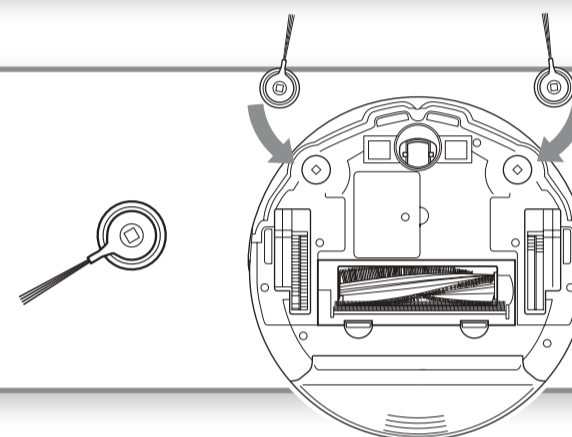
Place in an open, central location **with its back against the wall**. Connect charger cord to port on back, then plug in cord. The dock indicator light will illuminate green.



STEP 2

INSTALL THE SIDE BRUSHES

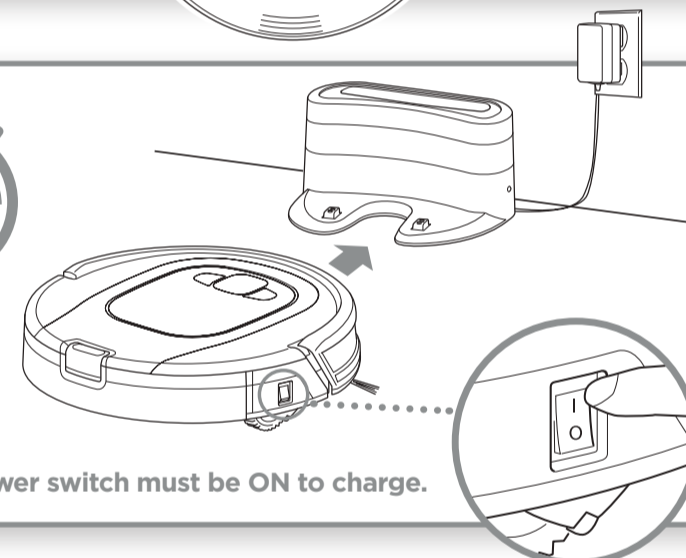
Snap the 2 included side brushes onto the posts on the bottom of the robot.



STEP 3

CHARGE YOUR ROBOT

Turn the power switch on and place your robot on the dock. When all 3 indicator lights illuminate steadily in blue, charging is complete.



STEP 4

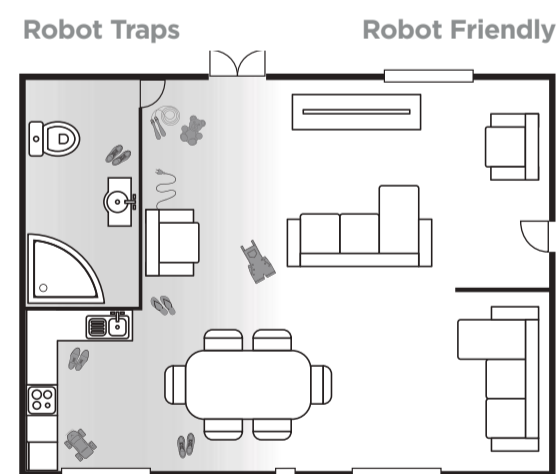
PREP YOUR HOME FOR CLEANING

Remove obstacles from the floor like power cords, clothes, toys, and low-hanging drapes.

Use the included BotBoundary® strips to create “no-go” zones.

See the **BOTBOUNDARY USAGE GUIDE** included with your BotBoundary strips for more information.

See the **TIPS AND TRICKS FOR GREAT PERFORMANCE GUIDE** to discover how to get the best from your robot.



STEP 5

DOWNLOAD THE SHARK CLEAN™ APP

Set up a schedule, start a cleaning from anywhere, and more. Search for Shark Clean in the app store and download the app to your iPhone™ or Android™

• Tips, Tricks, and FAQs • Troubleshooting • Voice control setup for the Google Assistant and Amazon Alexa



Don't forget to register your robot at registeryourshark.com

For assistance, contact us at 800-798-7398 or visit us online at sharkclean.com

©2019 SharkNinja Operating LLC. BOTBOUNDARY and SHARK are registered trademarks of SharkNinja Operating LLC. EASE OF A ROBOT. PERFORMANCE OF A SHARK., SHARK CLEAN, and SHARK ION are trademarks of SharkNinja Operating LLC. APPLE, the Apple logo and iPhone are trademarks of Apple Inc., registered in the U.S. and other countries. APP STORE is a service mark of Apple Inc., registered in the U.S. and other countries. GOOGLE PLAY, the Google Play logo, and ANDROID are trademarks of GOOGLE LLC.



@sharkcleaning