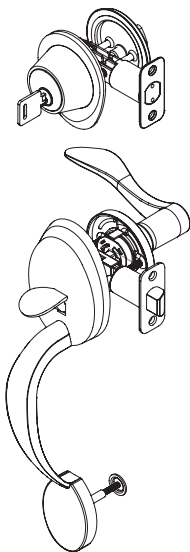


amazonbasics



## Modern Handle Set and Deadbolt - Wave Lever

Juego de Manija Moderna y Cerrojo - Palanca de Onda

Ensemble de Poignées Modernes et Pêne Dormant - Poignées à Levier avec Motif de Vague

B07GXRCN59, B07GXRBS8B, B07GXPLMBJ, B07GYC94VP,  
B07GXRC3H3

English

English .....	3
Español .....	14
Français .....	25

Español

Français

# Welcome Guide • English

## Contents:

Before getting started, ensure the package contains the following components:

- Handle x1
- Decorative washer for the bottom of the handle x1
- Machine screw for attaching the bottom of the handle to the door x1
  
- Door lever x 1
- Latch w/ latch plate attached x1
- Strike plate x1
- Machine screws for attaching the lock body together x2
- Wood screws for attaching the strike plate and latch plate x4
  
- Deadbolt assembly x1
- Deadbolt latch w/ latch plate attached x1
- Strike plate x1
- Machine screws for attaching deadbolt together x2
- Wood screws for attaching the strike plate and latch plate x4
- Keys x2

## Recommended Tools

- |  |   |
|--|---|
| <ul style="list-style-type: none"><li>• 1" (25 mm) Wood drill bit</li><li>• 2-1/18" (54 mm) Hole saw</li><li>• Level</li><li>• Phillips screwdriver</li><li>• Hammer</li></ul> | <ul style="list-style-type: none"><li>• Pencil</li><li>• Tape measure</li><li>• Safety glasses</li><li>• Tape</li><li>• Wood chisel</li></ul> |
|--|---|

# Before First Use

- Check for transport damage.

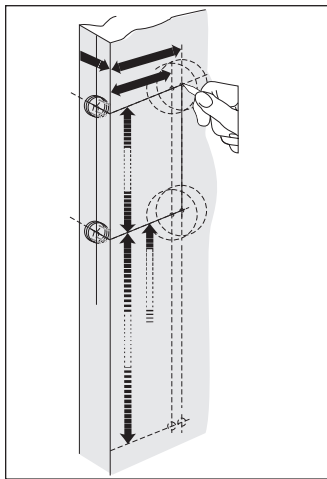
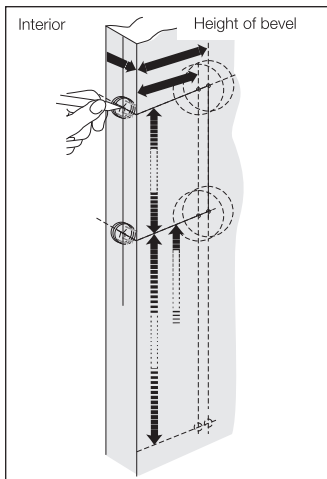


**DANGER**

**Risk of suffocation!** Keep any packaging materials away from children – these materials are a potential source of danger, e.g. suffocation.

## Installation

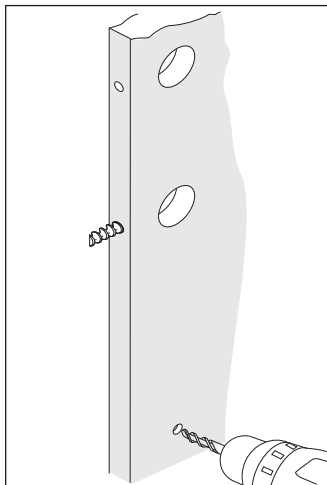
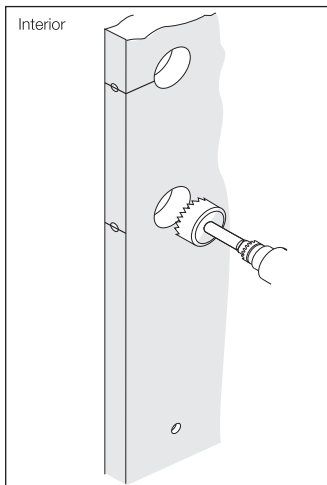
### Step 1: Mark Door



- Fold the template at the dotted line and tape the template onto the interior side of the door at 34" to 48" (86 to 122 cm) from floor.
- Measure the thickness of the door and mark either the 1-3/4" or 1-3/8" (44 or 37 mm) hole.
- Mark either the 2-3/8" or 2-3/4" (60 or 70 mm) hole for the backset.
- Mark either the 2-3/8" or 2-3/4" (60 or 70 mm) hole for the bottom handle hole.

# Installation

## Step 2: Drill Holes

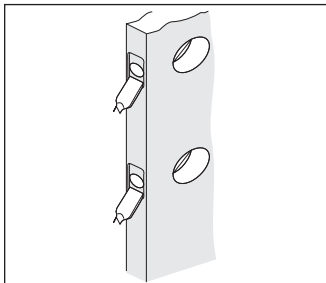
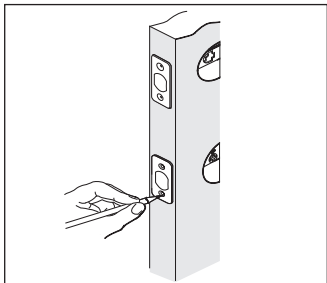


- Starting from the interior side of the door, drill two 2-1/8" (54 mm) holes through door face as marked for the lock body and dead bolt.
- Drill a 5/16" (8 mm) hole on the face of door as marked for the bottom handle stem.
- Drill two 1" (25 mm) holes in the center of door as marked for both latches.

# Installation

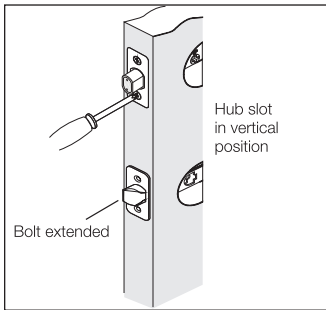
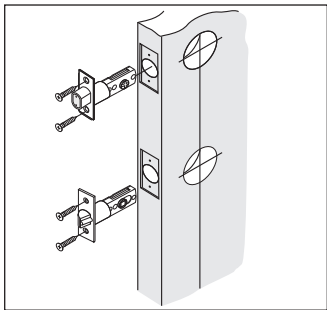
## Step 3: Install Latches

English



- Insert the latch into the hole, keeping it parallel to the door face. Outline face plate with a pencil and remove the latch.
- Chisel 1/8" (3 mm) deep or until the latch face is flush to the door edge.

Español

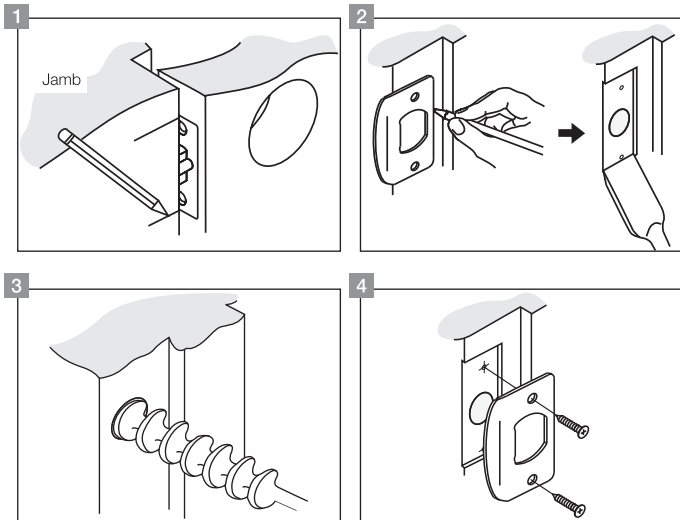


- Insert latch and tighten screws.
- Repeat procedure for the cylinder deadbolt latch.

Français

# Installation

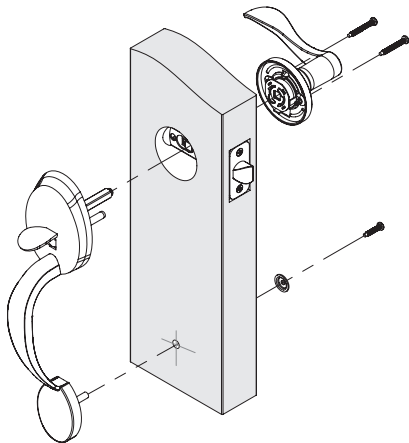
## Step 4: Install Strike Plate



1. With the latch assembly installed partially close the door until the latch assembly is just inside the door jamb. Mark 2 lines on the face of the door indicating the top and bottom of the latch plate. Measure 1/4" (6 mm) inward from the door stop. Using the strike plate, align it with the lines and draw around the strike plate and mark your hole locations.
  2. Drill a 1" (25 mm) hole that is 1/2" (13 mm) deep into the door jamb on the centerline of the screws.
  3. Chisel 1/16" (1,6 mm) deep for the strike plate.
  4. Install strike plate and tighten screws. Adjust the lang on the strike plate by bending it in or out to eliminate looseness or to tighten the fit between the door and the door stop.
- Repeat the steps above for the deadbolt faceplate.

# Installation

## Step 5: Install Exterior Handle Mechanism



- Place the exterior handle with the stems and square spindle into the latch as shown. Press tightly against the door face.

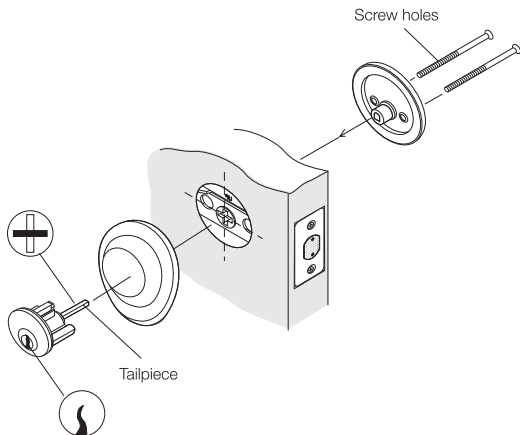
## Step 6: Install Interior Knobs

- After the exterior handle is in position, slide the screws through the door knob and tighten them securely into the door handle.
- Install the bottom handle screw by inserting the screw through the washer (peak side up) and then tighten the screw to the bottom of the door handle.



# Installation

## Step 7: Install Cylinder Deadlock and Trim

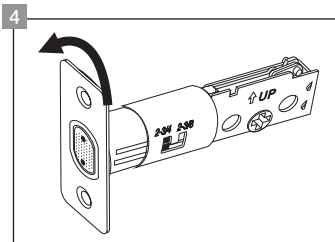
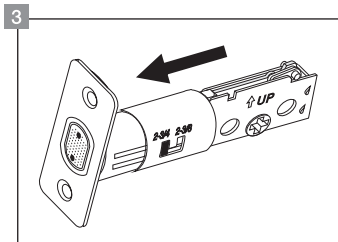
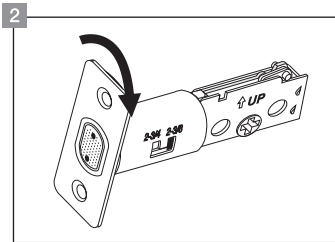
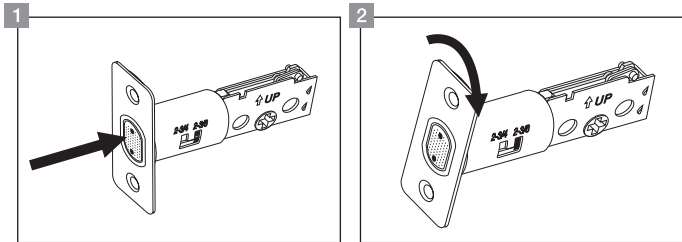


- Insert the cylinder in decorative trim and press against door making sure the stem and tailpiece are properly positioned in the latch holes.
- Slide inside the mating trim, onto the tailpiece, and secure with machine screws.

# Installation

## Step 8: How to Adjust the Latch

English

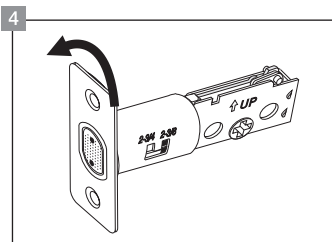
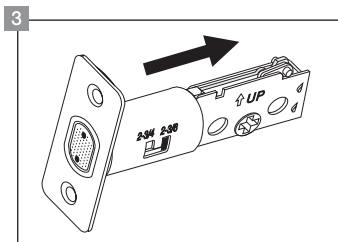
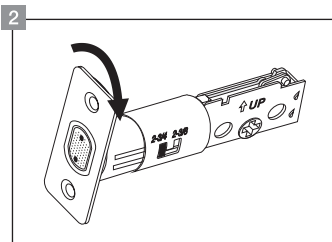
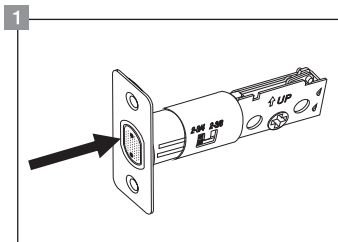


Español

To adjust the backset of the deadbolt latch from 2-3/8" to 2-3/4" (6 to 7 cm), follow these steps.

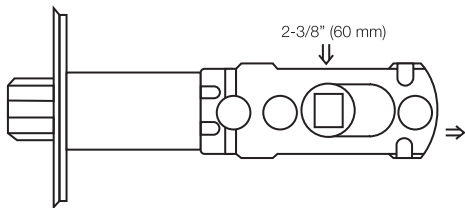
1. Retract the latch bolt.
2. Hold the latch tail and rotate the faceplate towards you.
3. Once the notch is in the groove, pull the latch faceplate away from the latch tail.
4. Rotate the latch faceplate away from you and check to see if the notch is at the 2-3/4" (7 cm) mark.

Français

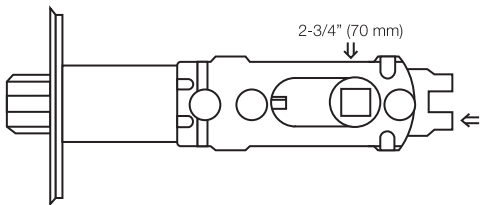


To adjust the backset from 2-3/4" to 2-3/8" (7 to 6 cm), follow these steps.

1. Retract the latch bolt.
2. Hold the latch tail and rotate the faceplate towards you.
3. Once the notch is in the groove, push the latch faceplate towards the latch tail.
4. Rotate the latch faceplate away from you and check to see if the notch is at the 2-3/8" (6 cm) mark.



- To change the latch to 2-3/4" (70 mm), push the square cut-out backward.



- To change back to 2-3/8" (60 mm) push the square cut-out forward.

## Cleaning and Maintenance

- Check the components regularly to make sure all screws and bolts are tightened.

# Warranty Information

To obtain a copy of the warranty for this product:



Visit [amazon.com/AmazonBasics/Warranty](https://amazon.com/AmazonBasics/Warranty)

— or —



Contact Customer Service at 1-866-216-1072

## Feedback

### Love it? Hate it?

Let us know with a customer review.

---

AmazonBasics is committed to delivering customer-driven products that live up to your high standards. We encourage you to write a review sharing your experiences with the product.

Please visit: [amazon.com/review/review-your-purchases#](https://amazon.com/review/review-your-purchases#)



---

For further services:



Visit [amazon.com/gp/help/customer/contact-us](https://amazon.com/gp/help/customer/contact-us)

— or —



Contact Customer Service at 1-866-216-1072

**amazon**basics

[amazon.com/AmazonBasics](https://amazon.com/AmazonBasics)

MADE IN CHINA

# Template

