

RedKite

IMPORTANT!
KEEP FOR FUTURE REFERENCE.

Read the instructions carefully before use and keep them for future reference.
The child may be hurt if you do not follow the instructions.

Adult assembly required.

Instruction Leaflet

Baby Go Round Jive



* Available in
several colour
options

This baby walking frame is intended to be used by children who can sit unaided, approximately from 6 months. It is not intended for children weighing more than 12kg.

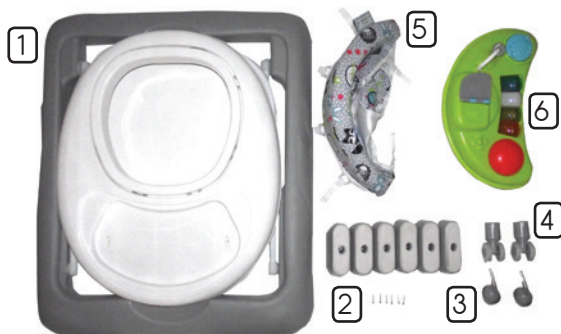
Complies with: BSEN 1273 : 2005. Customer Care Line: 01454 326 568.

Parts list

1. Main frame
2. Friction strips and screws (6)
3. Front wheels (2)
4. Rear wheels (2)
5. Seat cover
6. Musical tray

Tools required for assembly:

Cross head screwdriver (not supplied).



Assembly instructions

Turn the main frame upside down and attach the friction strips with the 6 screws provided.

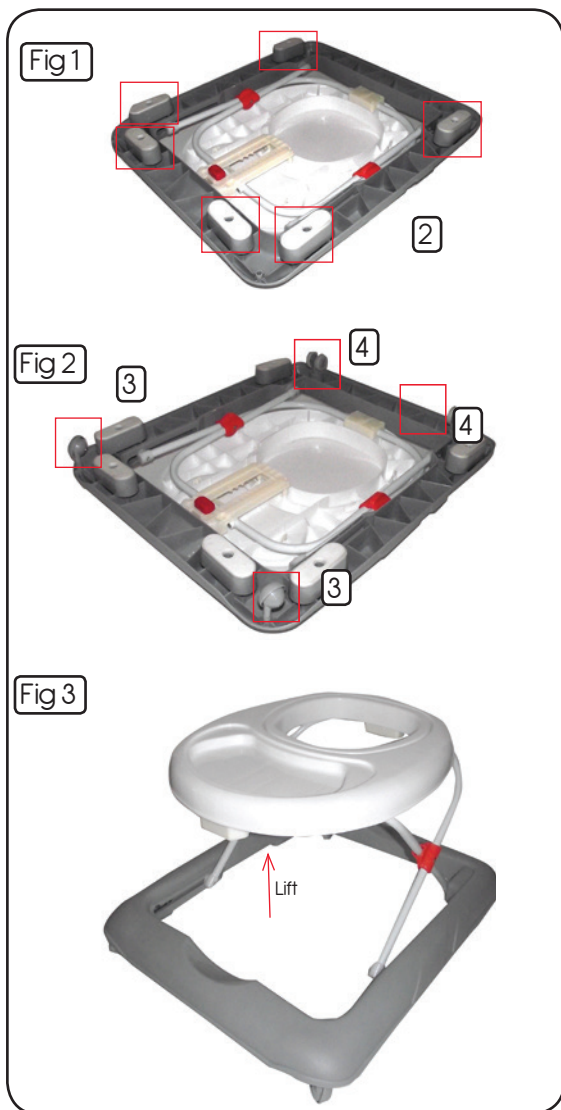
Fig 1

Push the front and rear wheels into the base making sure they are fully inserted.

Fig 2

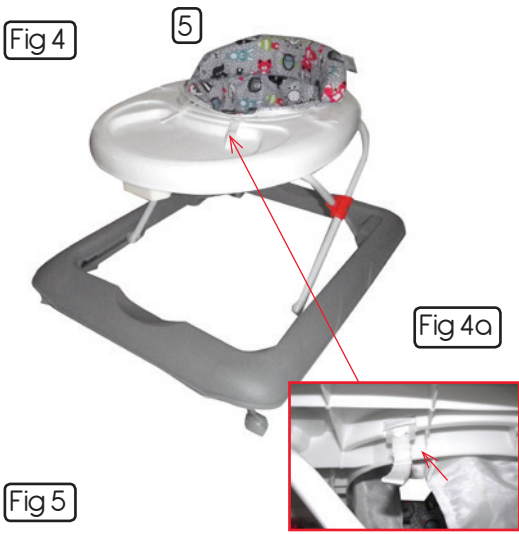
Turn the walker over and lift the top tray until it locks in place.

Fig 3



To attach the seat unit

Thread the plastic tabs on the bottom of the seat unit through the slots running around the seat recess. Fig 4. From underneath the walker pull the tabs fully through the slots and secure in place behind the fixing point. Make sure all 8 tabs are locked in place Fig 4a.

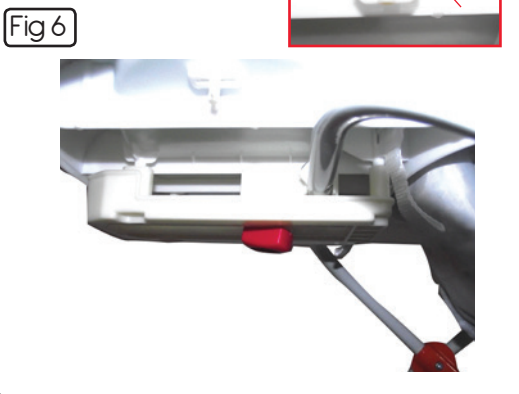


Slot the musical tray into the recess Fig 5 and secure in place by pushing the key up and turning 90 degrees. Fig 5a



Height Selection and folding

Turn the red button 90 degrees and press it in. Keep it pressed in and raise or lower the walker to the required position. Fig 6.



General Care:

- The correct use and maintenance of this walker is essential.
- Ensure that both of the child's feet reach the floor.
- Do not use excessive force when adjusting the walker.
- Always store the walker in a dry place.
- Individual toys on the toy tray are not replaceable.
- Do not alter the toy tray by adding toys or cutting existing ones away, this could be dangerous.

Cleaning:

- The seat unit may be spot cleaned by using a sponge with a mild soap and warm water solution. Leave to dry in a ventilated area away from direct sunlight. Do not dry clean, machine wash, bleach or tumble dry.
- Metal parts may be cleaned with a damp cloth. Always wipe dry.
- Clean plastic parts with a mild soap and warm water solution.
- Avoid leaving the walker in direct sunlight for prolonged periods of time as this may cause fabrics to fade.

Maintenance:

- Check that nothing is loose or broken and that no sharp edges have been exposed. Replace any damaged parts immediately.
- Routinely inspect all studs, nuts and screws for tightness. Check the seat attachment points, ensure they are secured.
- Never use this product without the friction blocks.
- Do not use replacement parts other than those approved by the manufacturer or distributor. Failure to do this may invalidate your warranty.

Safety Warnings:

- WARNING – Never leave the child unattended.
- WARNING – The child will be able to reach further and move rapidly when in the baby walking frame.
- WARNING – Your child's safety is your responsibility.
- Prevent access to stairs, steps and uneven surfaces.
- Guard all fires, heating and cooking appliances.
- Remove hot liquids, electrical flexes and other hazards from reach.
- Prevent collisions with glass in doors, windows and furniture.
- Do not use the baby walking frame if any components are broken or missing.
- This baby walking frame should be used only for short periods of time (e.g. 20 min).
- Never lift the walker with the child inside.

**DO NOT UNDER ANY CIRCUMSTANCES
APPLY EXCESSIVE PRESSURE TO THE TOP TRAY.**

**OLDER SIBLINGS SHOULD NOT BE ALLOWED TO
PLAY WITH THE WALKER WHILST THE CHILD IS
IN IT AS THIS CAN BE DANGEROUS.**

RedKite



IMPORTANT! KEEP FOR FUTURE REFERENCE.

Read these instructions carefully before use. Your child may be hurt if you do not follow the instructions. Adult assembly required.

Instruction Leaflet

Baby Go Round Jive Activity Tray

This product requires 2 x 1.5v "AA" batteries. (Not supplied).

To insert / replace the batteries:

Undo the screw on the battery compartment cover and open the compartment. Fit batteries into space provided ensuring they observe the correct polarity (as shown on the product).

Close the compartment, replace the screw and tighten. Secure the toy tray onto the walker.

Adult assembly required.

WARNING This product is designed solely for use in conjunction with the Baby Go Round Jive. Suitable for babies from 6 months.

Imported By: The Red Kite Baby Co Ltd.
35 Lavenham Road, Beeches Industrial
Estate, Yate, Bristol, BS37 5QX. UK.

Customer Care Line: 01454 326 568

Made In China



CAUTION Battery Safety

- Always keep batteries and tools out of reach of babies and children.
- Always remove spent batteries from the toy to avoid the danger of leakage from the battery which can be dangerous and damage the product.
- Remove the batteries if the toy will not be used for a long period of time.
- Only use alkaline batteries of the same type or equivalent to the type recommended for the correct function of this product.
- Never mix new and old or different types of batteries.
- When fitting new batteries, always ensure that they have been fitted in the correct polarity (as shown on the product).
- Do not burn or dispose of spent batteries into the environment. Dispose of them at an appropriate differentiated collection point.
- Do not short circuit the battery terminals.
- Never attempt to recharge non-rechargeable batteries, they might explode.