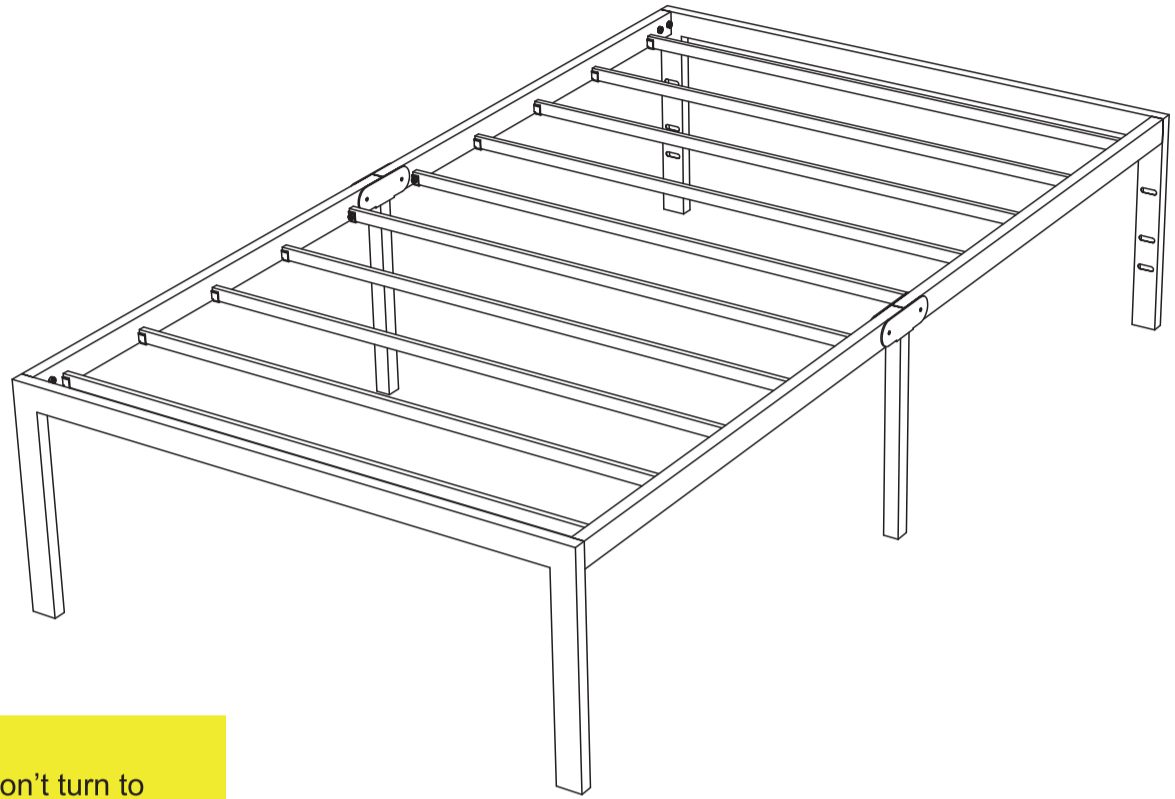


Twin

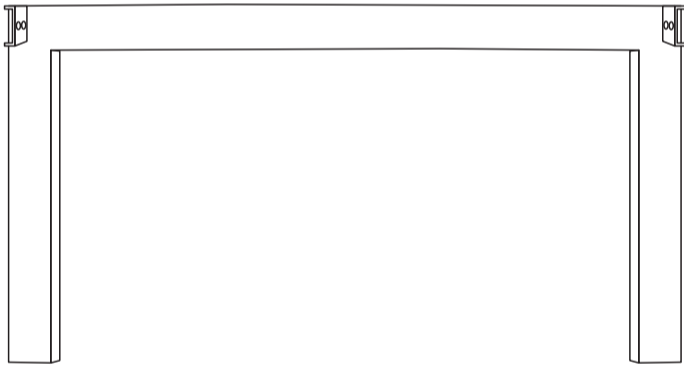
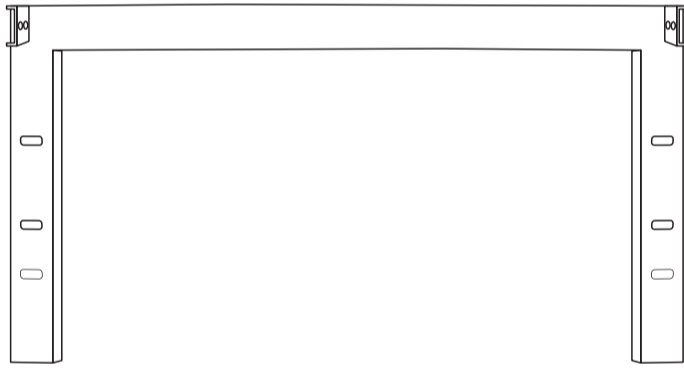

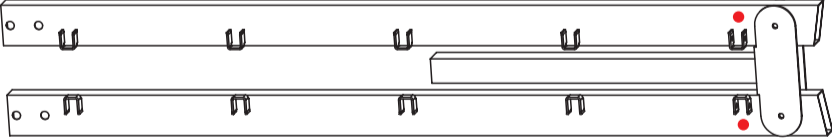







18 Inch Steel Slat Bed Frame T-3000 Instruction



Note :

- Please tighten the bolts tightly, until they won't turn to avoid squeaking. Use of electric drill is recommended.
- Please check and make sure all bolts are securely tightened on the bed frame as they can loosen over time.

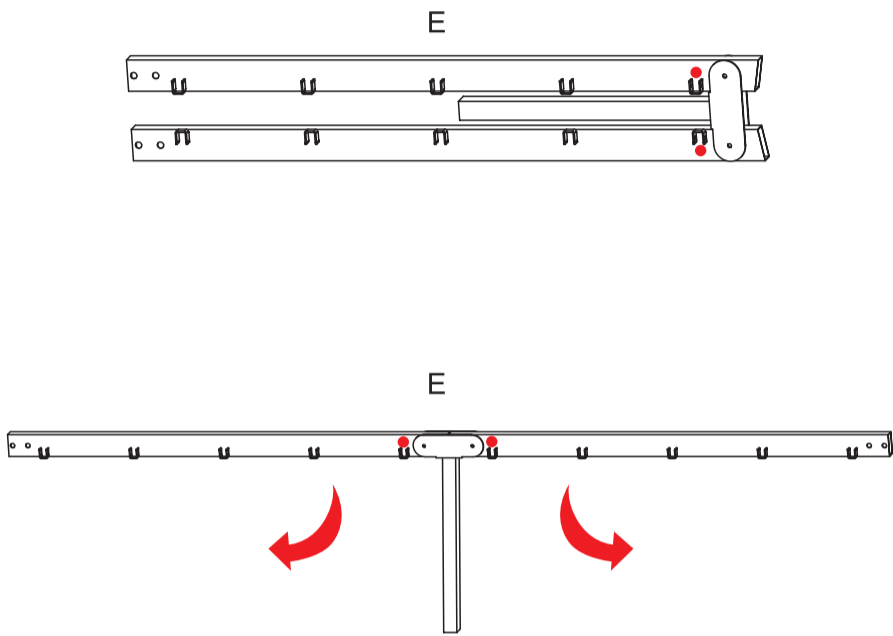
Part List

					
A*1 pc		B*1 pc			
					
C*8 pcs		E*2 pcs			
					
D*2 pcs					
					
F*8 pcs	G*4 pcs	H*4 pcs	I*1 pc	J*1 pc	K*1 pc

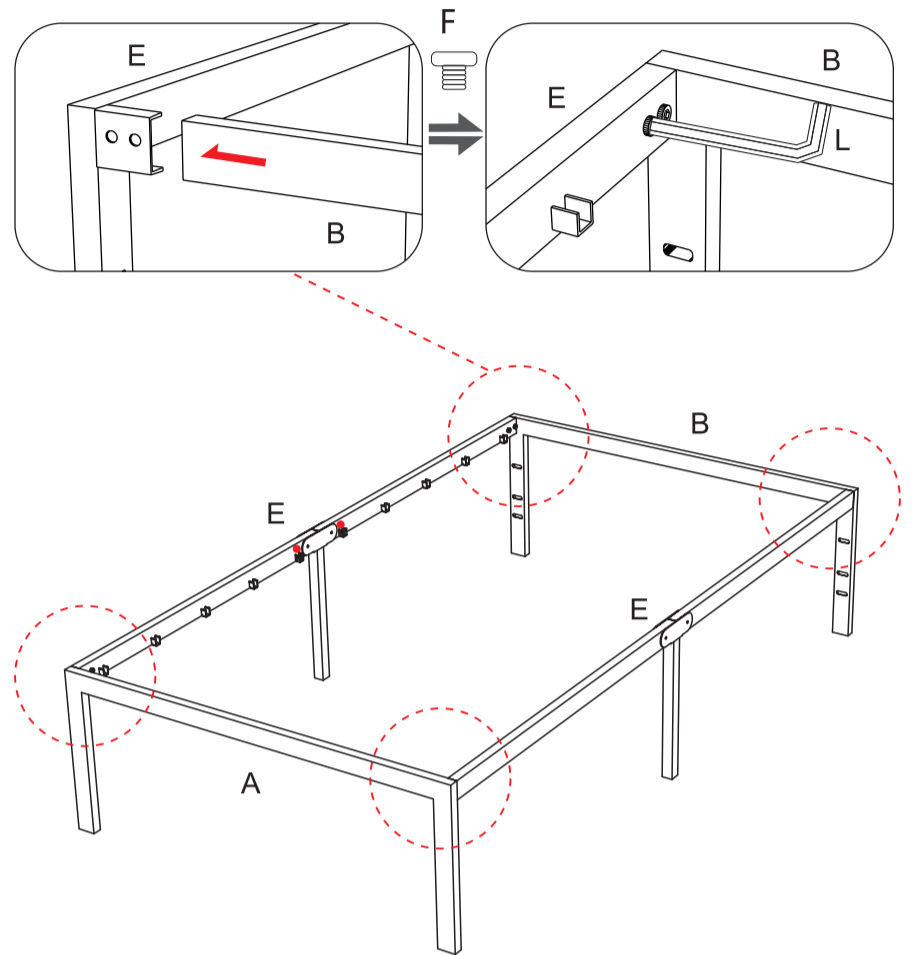
18 Inch Steel Slat Bed Frame T-3000 Instruction

Twin

1

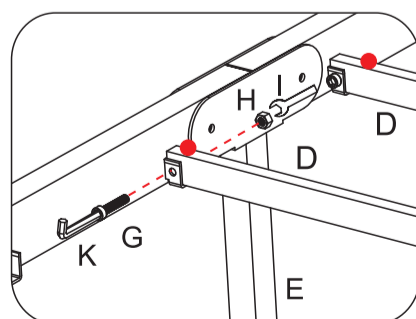
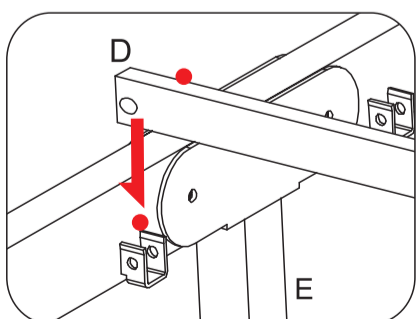
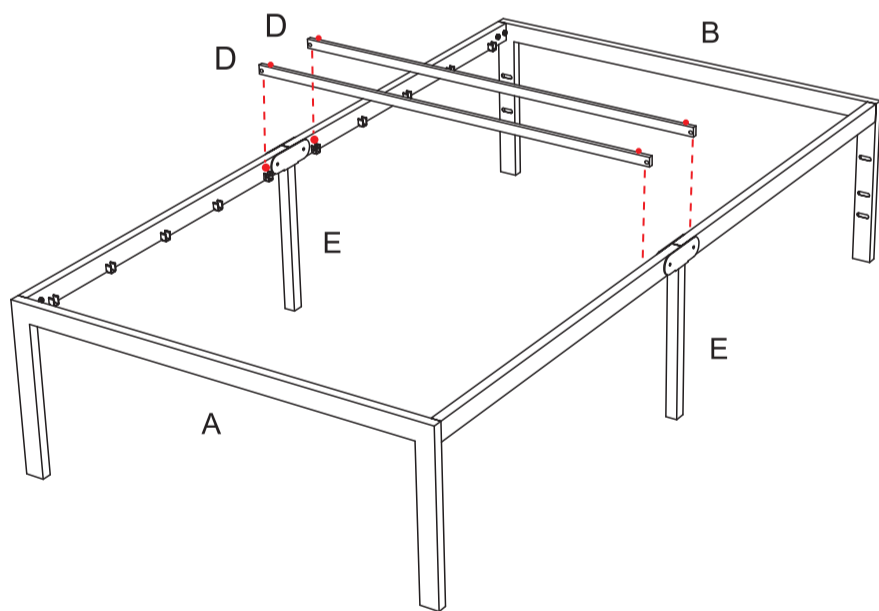


2



Note: Connect E to B and A.
B includes holes in case a headboard to be mounted.

3



Note: D has hooks and red stickers on both ends.

4

