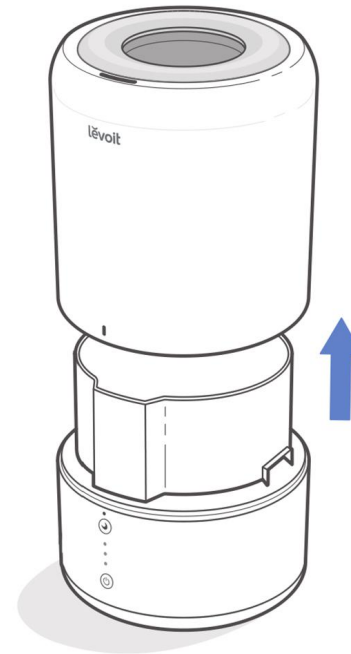





QUICK START GUIDE



1. Take the water tank off of the base and **remove all tape**.
2. Fill tank with water and place on base. Press  to turn on the humidifier.
3. Press  several times to cycle through mist levels and to turn the humidifier off.
4. **Intelligent Sleep Mode:** Press  to start Sleep Mode. A humidity sensor will automatically set the mist level during Sleep Mode. After 5 seconds, all display lights will turn off.

Connect with us @LevoitLifestyle



CONTROLS



Sleep Mode Button



High Mist Indicator



Medium Mist Indicator



Low Mist Indicator



Control Button

USING
ESSENTIAL OILS

For aromatherapy, we recommend adding 10–15 drops of pure essential oil into the base.

Questions or Concerns?

Our helpful team based in Southern California is available by phone and email!

Please contact us Mon–Fri, 9:00 am–5:00 pm PST/PDT
at support@levoit.com or at (888) 726-8520.

TIPS

For best results:

- We recommend using purified or distilled water.
- **Do not** block the mist outlet.
- **Only** place on a water-resistant surface.
- To avoid overheating, **never** block the air inlet at the bottom of the humidifier. **Do not** place on floors, carpets, or surfaces with fibers that may block the air inlet.
- The humidifier will not create mist and the water temperature will rise if the mist tube is not in place (see [Figure 1.3](#) in **Cleaning**). This is not dangerous, but the humidifier will not work correctly until the mist tube is put in place.

WATER LEVEL

Your humidifier must have the correct level of water in the base to work properly. If the water level is too high, the humidifier may produce little or no mist.

- **Never** pour water directly into the base. **Only** add water to the water tank. The humidifier will automatically release the correct amount of water into the base.
- **Do not** move or shake the humidifier, especially while it is running. This may cause the water tank to release too much water into the base.
- When you move the humidifier, turn it off, unplug it, lift the tank off the base, and pour any water out of the base. Move the tank and base **separately** to the new location before reassembling.

CLEANING

1. Unplug the humidifier. Remove and wash the top cover.
2. Remove the water tank. Pour out any water from the tank and base.
3. Rinse the tank and inside of base with cool, clean water. **Do not** immerse base in water.
4. To remove any scale buildup inside the water tank or base, soak with distilled white vinegar and wipe with a cloth and cotton swab. [\[Figure 1.1\]](#)
5. Remove the sealing ring from the water tank. Use one hand to pull out the sealing ring, while using the other hand to hold the spring and valve in place on the other side. The spring and valve will drop out without the sealing ring, so remove carefully. Clean all parts, then replace inside the water tank. Make sure the sealing ring is properly fitted into the water tank. [\[Figure 1.2\]](#)
6. If you used essential oils in the humidifier, fill the water tank and the base with distilled white vinegar and allow to soak.
7. Rinse all parts and pour out remaining water. Completely dry all parts with a cloth.

Note:

- After cleaning, make sure the mist tube is correctly installed. [\[Figure 1.3\]](#)
- If not using for a long period of time, unplug the humidifier and pour out water. Clean and dry all parts.
- For more cleaning instructions, see the manual.

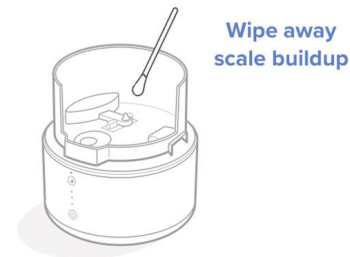


Figure 1.1

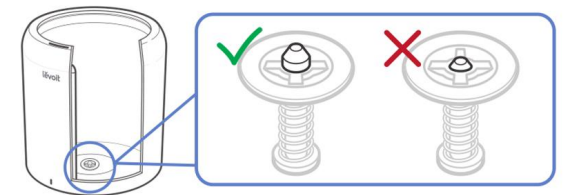


Figure 1.2

