



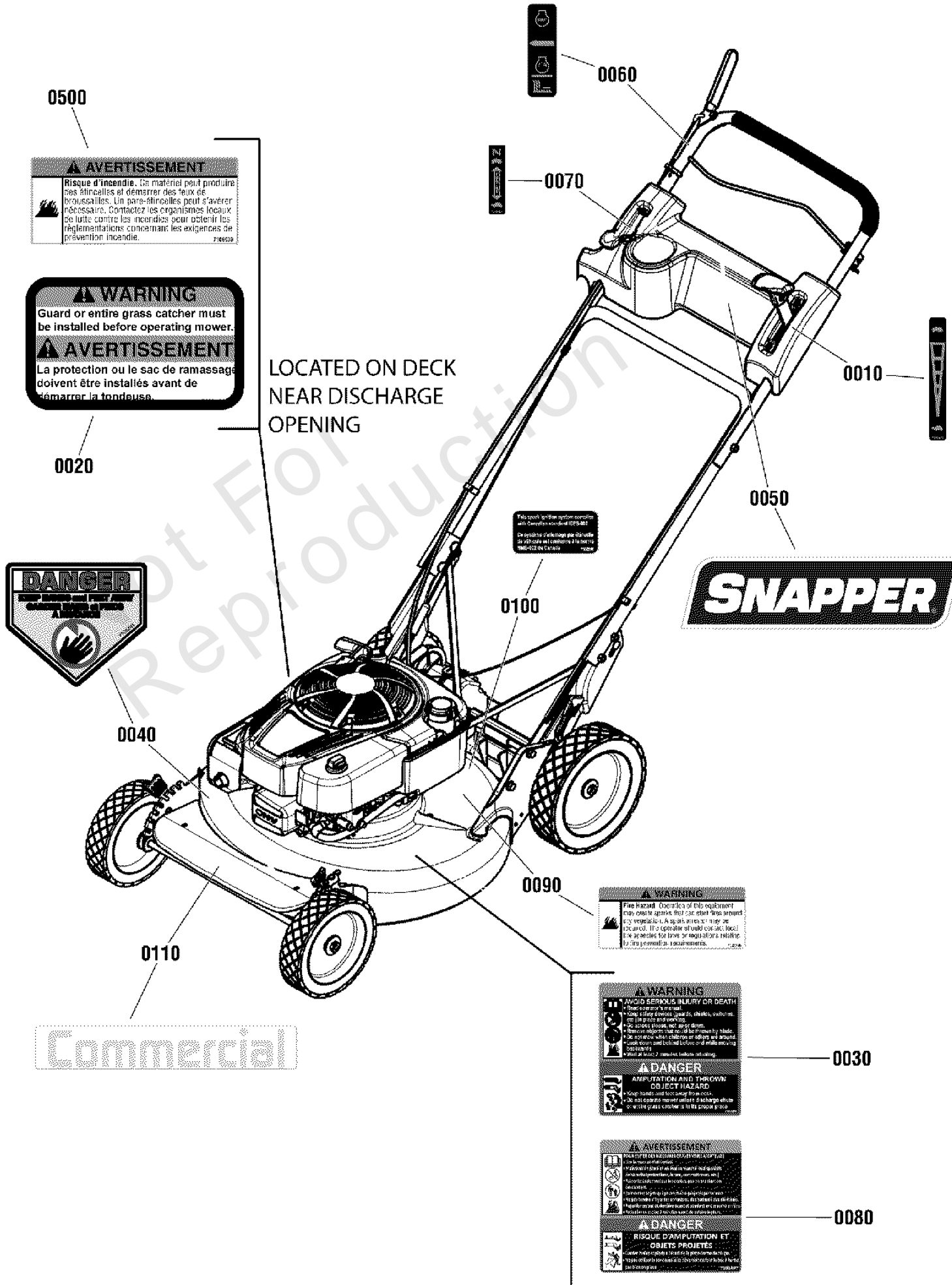
Parts Manual

Mfg. No: 7800849-00
CP215520HV, 21" 5.5 GTP Steel Deck

Model Components	Page
Decal Group.....	4
Deck, Engine & Blade Group.....	6
Drive System, Self Propelled.....	8
Grass Bag & Adapter Group.....	12
Handle Group.....	14
Transmission - Differential Group.....	18
Wheels, Brackets & Latches.....	20
Torque Specification Chart.....	22

Not For
Reproduction

7502743



Decal Group

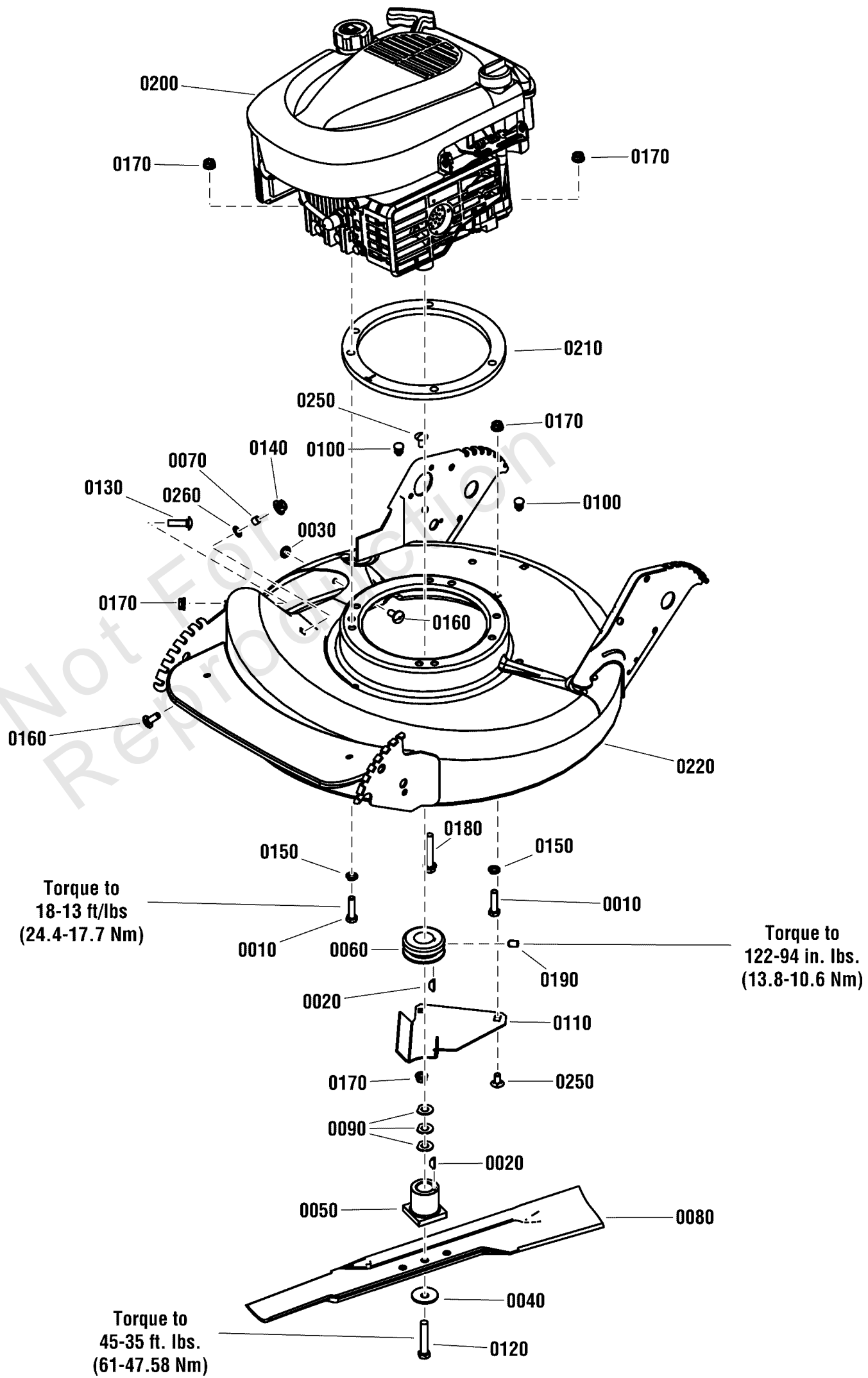
REF NO	PART NO	QTY	DESCRIPTION
0010	7075471YP	1	DECAL, Speed Shift
0020	7102324YP	1	DECAL, Chute / Deflector FC
0030	7100984YP	1	DECAL, Warning / Danger
0040	7105261YP	1	DECAL, CPSC, French/English
0050	7104148YP	1	DECAL, Logo, Snapper, 7.88"
0060	7029782MA	1	DECAL, OPC Bail, International Symbols
0070	7075524YP	1	DECAL, Throttle Control, KWV
0080	7101497YP	1	DECAL, Warning / Danger, French /English
0090	7102746YP	1	DECAL, Spark Arrestor
0100	7102996YP	1	DECAL, ICES Compliance
0110	7104873YP	1	DECAL, Commercial, 5.35"
0500	7106039YP	1	DECAL, Spark Arrestor, French

Not For
Reproduction

Deck, Engine & Blade Group

Note: Unless noted otherwise, use the standard torque specifications

Mfg. No: 7800849-00



Deck, Engine & Blade Group

REF NO	PART NO	QTY	DESCRIPTION
0010	703299	2	SCREW, 5/16-24 X 1.25, Hex Head Cap, GR5, Zinc/Clear
0020	7010783YP	1	KEY, HI-PRO, #505
0030	703297	1	RETAINER, 5/16 X .625, Push Nut, GR 5, Zinc/Clear
0040	703963	1	WASHER, 13/32x1-13/32" Dia. Cone
0050	7012927YP	1	HUB, Blade, 7/8" ID
0060	7021822YP	1	PULLEY, Engine, 1" ID X 2-1/8" OD, Yellow
0070	7024340SM	1	SPACER, .375 OD X .316 ID X .305 L
0080	7026691BZYP	1	BLADE, 21" L, .97" Standard Lift
0090	7044770YP	3	SPACER, .874 OD X .385 ID X .060 L, YZ
0100	7046780SM	2	PLUG, Hole, .44" OD, Polyethylene
0110	7074568YP	1	COVER, Belt, Zinc/Clear
0120	703999	1	SCREW, 3/8-24 X 2, Hex Head Cap, GR5
0130	704002	1	BOLT, 5/16-18 X 1.125, Carriage, ZC/CL
0140	704001	1	NUT, 5/16-18 Large Flange Center Lock, ZC/CL
0150	703116	2	WASHER, .32 X .58 X .08, Split Lock, Zinc/Clear
0160	703185	2	BOLT, 5/16-18 x 3/4, Carriage, Short Neck, G5, Zinc/Clear
0170	703409	4	NUT, 5/16-18, Serrated Lock Flange, GR5
0180	704062	1	BOLT, 5/16-18 X 2.0, Serrated Flanged Head, ZC/CL
0190	704003	1	SCREW, 5/16-18 X .50, Hex Socket Head, Phosp/Oil
0200	GXV160-UH2A1A\$		* ENGINE, 5.5 GTP Honda Comm Tier III, Model GXV160UH2-A1AS Code 649061
0210	7300969AYP	1	RING, Engine Spacer
0220	7500549DYP	1	WELDMENT, Deck, 21", Self-Propell, HV (Red w/Decals)
0250	703447	2	BOLT, 5/16-18 X .625, Carriage, GR5, Zinc/Clear
0260	704015	1	WASHER, 5/16, Flat SAE, Type B, Zinc/Clear

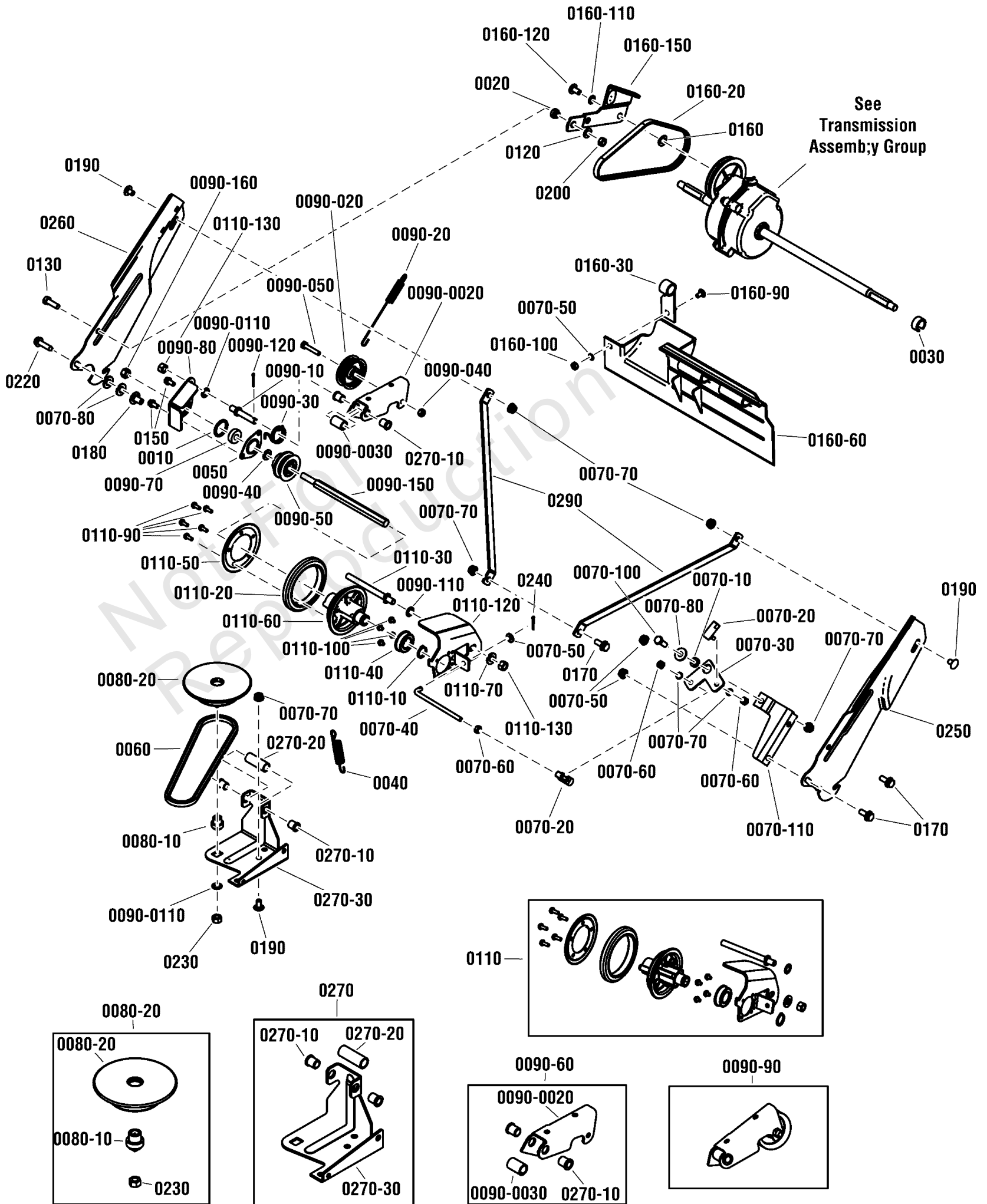
Footnotes:

NOTE: * Purchase engine parts from engine manufacturer dealer.

Drive System, Self Propelled

Note: Unless noted otherwise, use the standard torque specifications

Mfg. No: 7800849-00



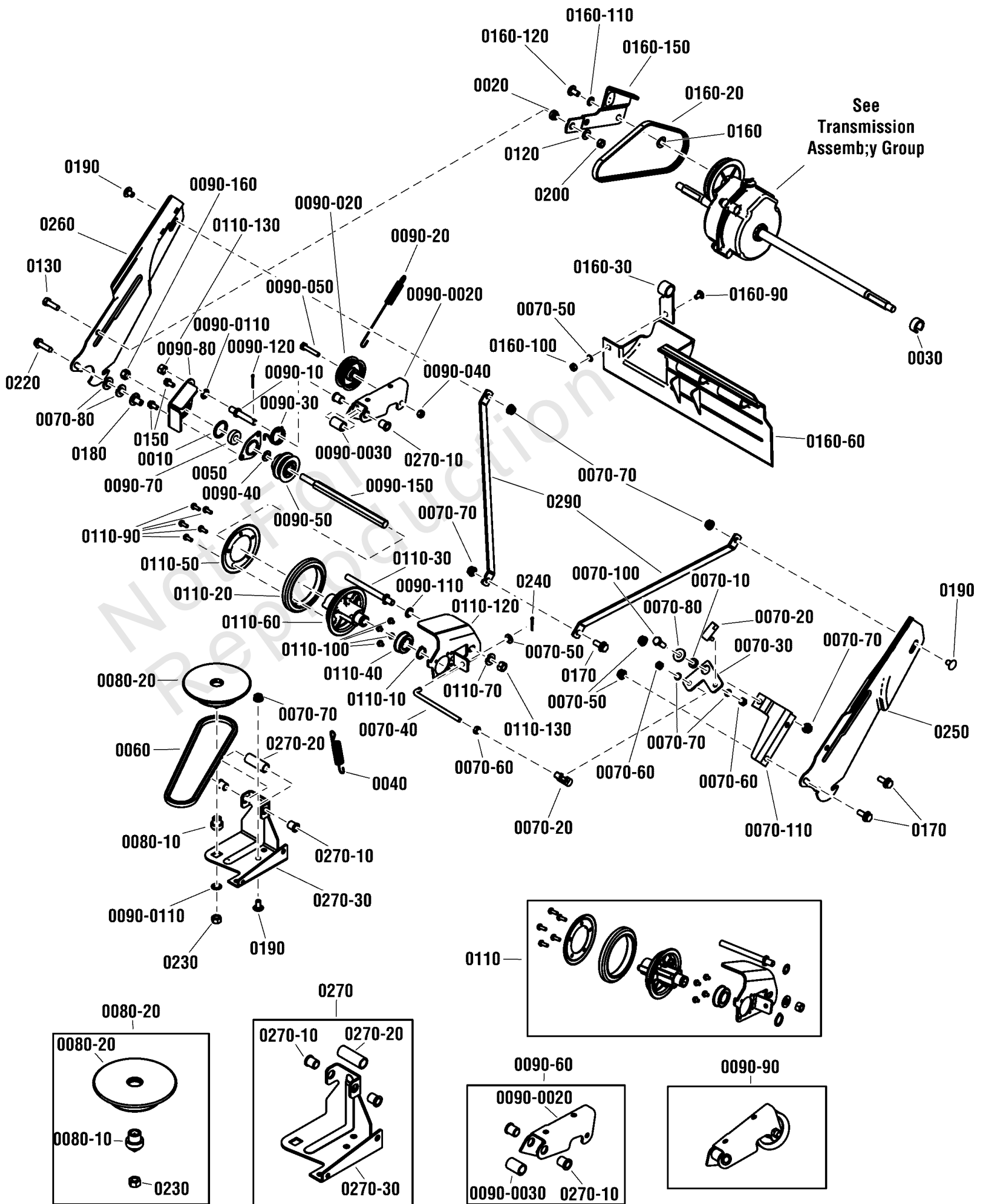
Drive System, Self Propelled

REF NO	PART NO	QTY	DESCRIPTION
0010	704008	1	O-RING, 1.0 ID X 1.25 OD X 0.125 Thk
0020	7012114SM	1	BUSHING, Differential
0030	704009	1	RING, Split, .68 x .93 x .44 (Black)
0040	7029025YP	1	SPRING, Extension, .58 x 3.2
0050	7031809YP	1	HOLDER, Bearing (Outer Half), ZC/CL
0060	7046784YP	1	BELT, Engine Drive (Stretch)
0070-10	703970	1	SPACER, .623 OD x .328 ID x .151 L
0070-20	7015753YP	2	BALL JOINT, 1/4-28
0070-30	7073913YP	1	BELL CRANK, Black Zinc
0070-40	7074145YP	1	LINK, Transfer (1/4-28 thread)
0070-50	703462	3	WASHER, 1/4 Internal Tooth Lock, YZ
0070-60	703461	3	NUT, 1/4-28 Hex, GR5, Zinc/Clear
0070-70	703409	7	NUT, 5/16-18, Serrated Lock Flange, GR5
0070-80	7900022YP	3	WASHER, Flat, 7/8 x 21/64
0070-100	703408	1	SCREW, 5/16-18 x 7/8 Hex Head Cap, GR 5, Zinc/Clea
0070-110	7073822BMYP	1	BRACKET, Bell Crank
0080-10	703971	1	BUSHING, 0.385 ID X 0.925 OD X 1.018 Thk, ZC/CL
0080-20	7073528YP	1	DRIVE DISC, Steel (Includes Bushing)
0090-10	703836	1	STUD, 3/8-24 X 2.38, Single End, ZC/CL
0090-20	7012122YP	1	SPRING, Clutch, Adjustable Tension
0090-30	7012126YP	1	SPRING, Idler Torsion
0090-40	703946	1	WASHER, .390 ID X .720 OD X .054 Thk, Flat, ZC/CL
0090-50	7019383YP	1	PULLEY, Poly-V, 2.0" OD, Steel
0090-70	7028014YP	1	BALL BEARING, Spherical O.D., .38 I.D.
0090-80	7031873YP	1	HOLDER, Bearing (Inner Half)
0090-90	7051921YP	1	ASSEMBLY, Clutch Idler
0090-020	7012124YP	1	PULLEY, Flat Idler, .25 ID, 2.25 OD
0090-040	703972	1	NUT, 1/4-28 Hex Top Lock, GR 5, BZ
0090-050	703828	1	SCREW, 1/4-28 x 1-3/8" Hex Head Cap, Grade 5, CZ/CL
0090-060	7600173YP	1	KIT, Idler Arm, Bushing & Spacer Assembly
0090-0020	7032832AYP	1	ARM, Clutch Idler
0090-0030	703974	1	SPACER, Idler Arm (.500 ID x .970 Long), ZC/CL
0090-110	703930	3	WASHER, 3/8 Internal Tooth Lock, BZ
0090-120	703312	1	PIN, 3/32 X 3/4, GR5, Cotter, Zinc/Clear
0090-150	7072284YP	1	SHAFT, Hex (3/8-24 thread, one end)
0090-160	703458	1	NUT, 3/8-24 Hex Center Lock, GR B, YZ
0110	7600109YP	1	ASSEMBLY, Driven Disc, Short, Commercial
0110-10	703975	1	RETAINING RING, 3/4" ID, ZC/CL
0110-20	704059	1	Disc, Rubber Driven, 3" ID
0110-30	703837	1	STUD, 3/8-24 X 4.5, Plate, ZC/CL
0110-40	7029027YP	1	BEARING, 3/4" ID, Ball, Commercial
0110-50	7031013YP	1	PLATE, Driven Tire Side
0110-60	7061276YP	1	KIT, Bushing & Hub Assembly
0110-70	703590	1	WASHER, 3/8 (.406 X .816 X .65), Flat, Zinc/Clear
0110-90	704060	7	SCREW, 10-24 x 1/2" Hex Washer Self-Tap, Torx, ZC/CL
0110-100	704061	4	SCREW, #10-32 X 1/4, Hex Washer, Self-Tap, ZC/CL
0110-120	7300977BMYP	1	THRUST PLATE, Short, Black
0110-130	703895	2	NUT, 3/8-24, Hex, Grade 5, YZ
0120	703350	1	WASHER, 5/16, Flat SAE, Zinc/Clear
0130	MT910828MA	1	BOLT, 5/16-24 X 1.00, HEX, ZC/CL
0150	704130	2	SCREW, 1/4-20 X .500, Hex HD, Self-Tap, Zinc/Clear

Drive System, Self Propelled

Note: Unless noted otherwise, use the standard torque specifications

Mfg. No: 7800849-00



Drive System, Self Propelled

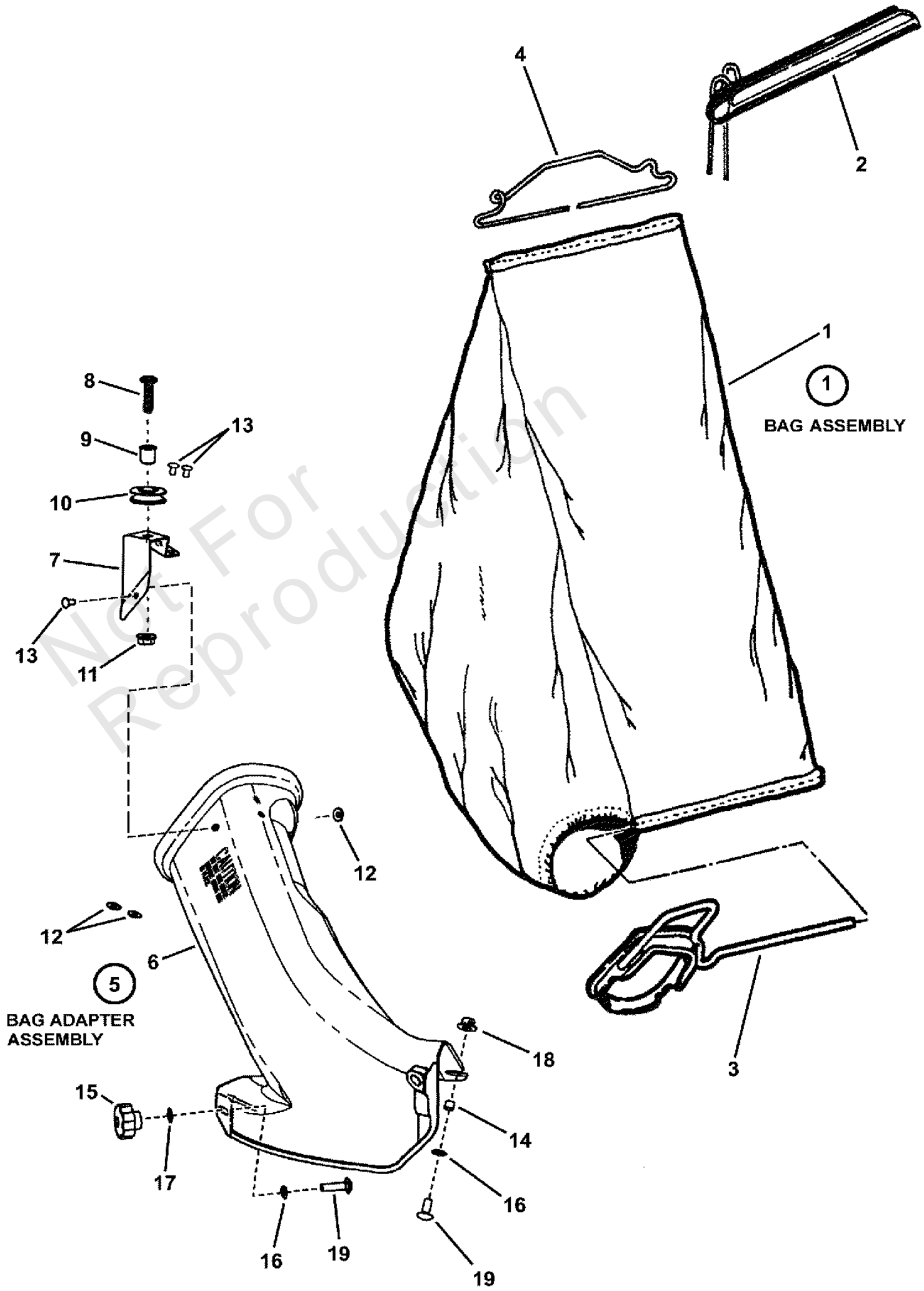
REF NO	PART NO	QTY	DESCRIPTION
0160	703940	1	WASHER, 0.445 ID X 0.780 OD X 0.025 Thk, Wave, ZC/CL
0160-20	7012354YP	1	BELT, Poly-V, Kevlar, V21
0160-30	7012616YP	1	SUPPORT, Foot Guard
0160-60	7029008YP	1	GUARD, Rear Foot, 21"
0160-90	703978	1	BOLT, Rond Head, 1/4-20 x 1/2
0160-100	703127	1	NUT, Hex, 1/4-20, GR5
0160-110	7090391SM	1	WASHER, 5/16, Internal Lock, Zinc/Clear
0160-120	1753983YP	1	SCREW, 5/16-18 x 5/8 Truss Head Torx
0160-150	7034179BMYP	1	LINK, DIFFERENTIAL, COMM
0170	703354	3	SCREW, 5/16-18 X .750, Flanged Whiz-Lock, GR5
0180	703947	1	NUT, 5/16-18 X .625, Weld, ZC/CL
0190	703447	1	BOLT, 5/16-18 X .625, Carriage, GR5, Zinc/Clear
0200	703896	1	NUT,5/16-24,HEX CNTRLCK,GR B,ZINC/CLEAR
0220	703167	1	SCREW, Taptite, 5/16-18 x 1-1/4
0230	703457	1	NUT,3/8-16,FIN HEX,GR 5,ZINC/CLEAR
0240	1501125MA	1	PIN, 1/16 X 0.50 COT, GR 5 ZINC/CLEAR
0250	7033985AYP	1	HANDLE, LOWER, ADJ, LH
0260	7033986AYP	1	HANDLE, LOWER, ADJ, RH
0270	7052987BMYP	1	DECK BRKT. ASSY, P21S ECOAT
0270-10	703973	4	BUSHING, Flanged, .381 x .625 x .62, Metal, CZ/CL
0270-20	703941	1	SPACER,0.500IDX0.650ODX1.750THK,ZC/CL
0270-30	7033774YP	1	BRKT, DECK, P21S
0290	7046707BMYP	2	BRACE, HANDLE ECOAT

Grass Bag & Adapter Group

Note: Unless noted otherwise, use the standard torque specifications

Mfg. No: 7800849-00

7600176



Grass Bag & Adapter Group

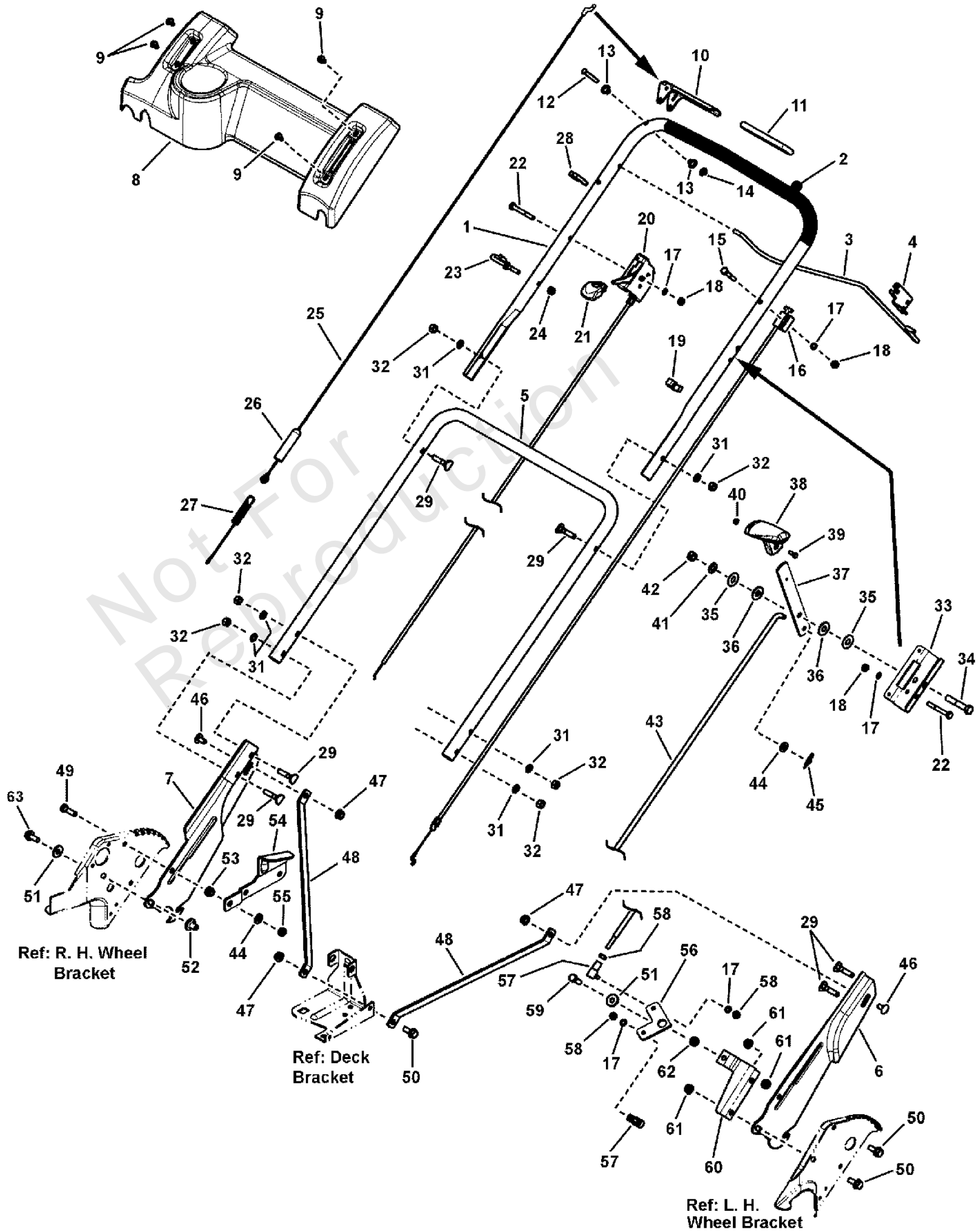
REF NO	PART NO	QTY	DESCRIPTION
1	-	1	USE 7600176 Grass Bag Assembly, W/Slider, 10.75" W, 26" L, No Graphics -(Was 7103205)
2	7050711YP	1	ASSEMBLY, Slider
3	7042489AYP	1	WELDMENT, Bag Connector
4	7019247YP	1	WIRE, Rear Bag
5	7600117YP	1	KIT, Bag Adapter Assembly, W/pulley (Includes items 6 - 13) -(Was 7058037)
6	-	1	USE 7600117, Bag Adapter -(Was 7047081)
7	7047082AYP	1	BRACKET, Rope Pulley
8	703570	1	SCREW, 5/16-18 X 1.25, Torx Pan Head, GR 5, Zinc/Clear -(Was 7091984 or 80004616)
9	703973	1	BUSHING, Flanged, .381 x .625 x .62, Metal, CZ/CL -(Was 7012306 or 80005378)
10	7024228SM	1	PULLEY, Nylon, .75 ID, 1.3 OD
11	690272MA	1	NUT, 5/16-18, Serated Lock Flange, GR5, Zinc/Clear -(Was 7091601 or 80002728)
12	703942	3	WASHER, 5/32 Flat, ZC/CL -(Was 7072107 or 80005393)
13	704032	3	RIVET, 3/16 x .344, Truss HD, ZC/CL -(Was 7013860 or 80005709)
14	7024340SM	1	SPACER, .375 OD X .316 ID X .305 L
15	7101022YP	2	KNOB, Fluted (5/16-18 thread) on side chute
16	703297	2	RETAINER, 5/16 X .625, Push Nut, GR 5, Zinc/Clear -(Was 028X64MA, 5025498, 7011791, 720372 or 80002734)
17	703936	2	WASHER, .325 ID X .850 OD X .041 Thk, Internal External Lock, Type A, ZC/CL -(Was 7090189 or 80005386)
17	703350	1	WASHER, 5/16, Flat SAE, Zinc/Clear -(Was 7091076, 7091088 or 80004405)
18	704001	1	NUT, 5/16-18 Large Flange Center Lock, ZC/CL -(Was 7090951 or 80005593)
19	703185	2	BOLT, 5/16-18 x 3/4, Carriage, Short Neck, G5, Zinc/Clear -(Was 7091508 or 80004072)

Handle Group

Note: Unless noted otherwise, use the standard torque specifications

Mfg. No: 7800849-00

7502740



Handle Group

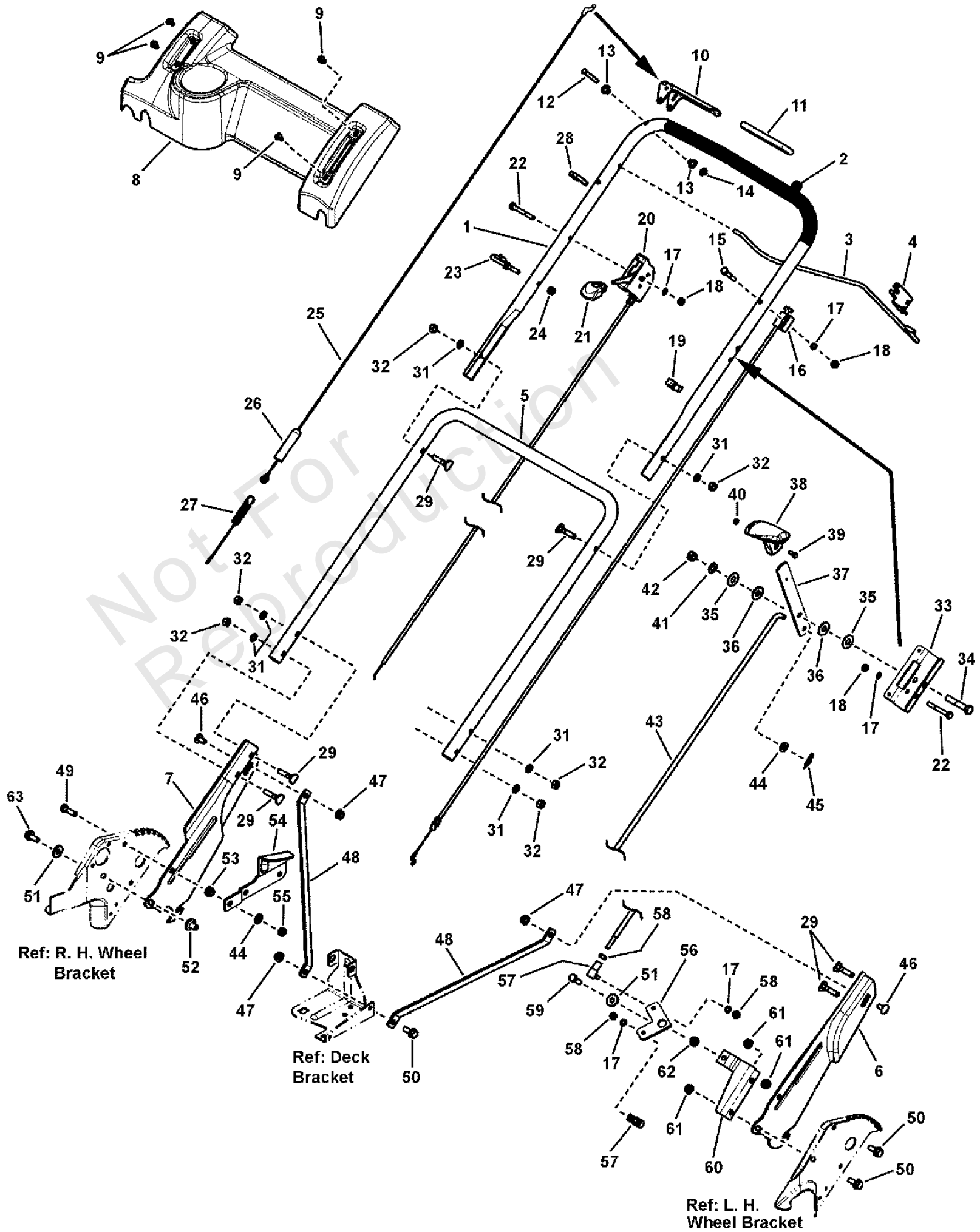
REF NO	PART NO	QTY	DESCRIPTION
1	7074411AYP	1	HANDLE, Upper
2	7023810YP	1	FOAM GRIP, 18.75
3	7074418AYP	1	BAIL, OPC Control (16.6" Wide)
4	7034872YP	1	CLIP, Zone Control
5	7074156AYP	1	HANDLE, Middle
6	7033985AYP	1	HANDLE, Lower, ADJ, LH
7	7033986AYP	1	HANDLE, Lower, ADJ, RH
8	7074140YP	1	PANEL, Control, No Electric Switch
9	703961	4	SCREW, 1/4-20 X .550, Self-Tapping, Zinc/Clear -(Was 7900067 or 80005286)
10	7074473AYP	1	HANDLE, Clutch
11	7028407YP	1	GRIP, International Symbol, 4.6" Black
12	704031	1	PIN, 1/4 X 1.5", Clevis, ZC/CL -(Was 7011886, 7023792 or 80005708)
13	7014343YP	2	BUSHING, Flanged, .27 ID, Nylon, Black
14	704005	1	NUT, 1/4", Push, Zinc/Clear -(Was 7091020 or 80005599)
15	703234	1	SCREW, 1/4-20 X 1.5, Hex Head Cap, GR5, ZC/CL -(Was 7090909, 7079577 or 80002713)
16	7102235YP	1	CABLE, Zone Control (60.3 Long)
17	703462	3	WASHER, 1/4 Internal Tooth Lock, YZ -(Was 7090053 or 80004414)
18	703127	3	NUT, 1/4-20, G5 Zinc/Clear -(Was 7090063, 7091576 or 80003586)
19	7023813SM	3	CLIP, Wiring Harness
20	7078026YP	1	CONTROL, Throttle, Honda, 50.81" L
21	7075308YP	1	KNOB, Throttle, Red
22	703163	2	SCREW, 1/4-20 X 2.0, Hex Head Cap, GR5, Zinc/Clear -(Was 1921963, 90505 or 80003674)
23	7028488MA	1	GUIDE, 1/4-20, Rope, CL/ZC
24	15X145MA	1	NUT, 1/4-20, Nylock, GR A, Zinc/Clear -(Was 703232, 7076978 or 80002730)
25	7034604YP	1	CABLE, Clutch Control, 41.25" L
26	7012121YP	1	COVER, Vinyl
27	7012122YP	1	SPRING, Clutch
28	7026219YP	1	CLAMP, 7/8" Double Cable
29	704063	6	BOLT, 5/16-18 X 1.50, Carriage Head, Short Neck, ZC/CL -(Was 7091190 or 80005975)
31	7090391SM	6	WASHER, 5/16, Internal Lock, Zinc/Clear -(Was 703587 or 80003683)
32	703465	6	NUT, 5/16-18, Hex, GR5, Zinc/Clear -(Was 7091069, 7091511 or 80002725)
33	7074003YP	1	BRACKET, Shift
34	703589	1	SCREW, 3/8-16 x 2, Hex Head Cap, GR5, Zinc/Clear -(Was 1923701, 7091305 or 80003522)
35	703964	2	WASHER, 7/16" ID, 1" OD, .060 Thk, Flat, ZC/CL -(Was 7031961 or 80005597)
36	704004	2	WASHER, .406 ID X 1.0 OD X .063 Thk, Flat Nylon -(Was 7028465 or 80005596)
37	7074113YP	1	LEVER, Shift
38	7075182YP	1	KNOB, Shift, Red
39	703351	1	SCREW, #8-32 X 0.50, Machine Fillister Head, Zinc/Clear -(Was 7091167 or 80004404)
40	703460	1	NUT, #8-32, Hex, Zinc/Clear -(Was 7091018 or 80004411)
41	704006	1	WASHER, 3/8" ID x 3/4" OD, Belleville, Zinc/Clear -(Was 7028568 or 80005600)

Handle Group

Note: Unless noted otherwise, use the standard torque specifications

Mfg. No: 7800849-00

7502740



Handle Group

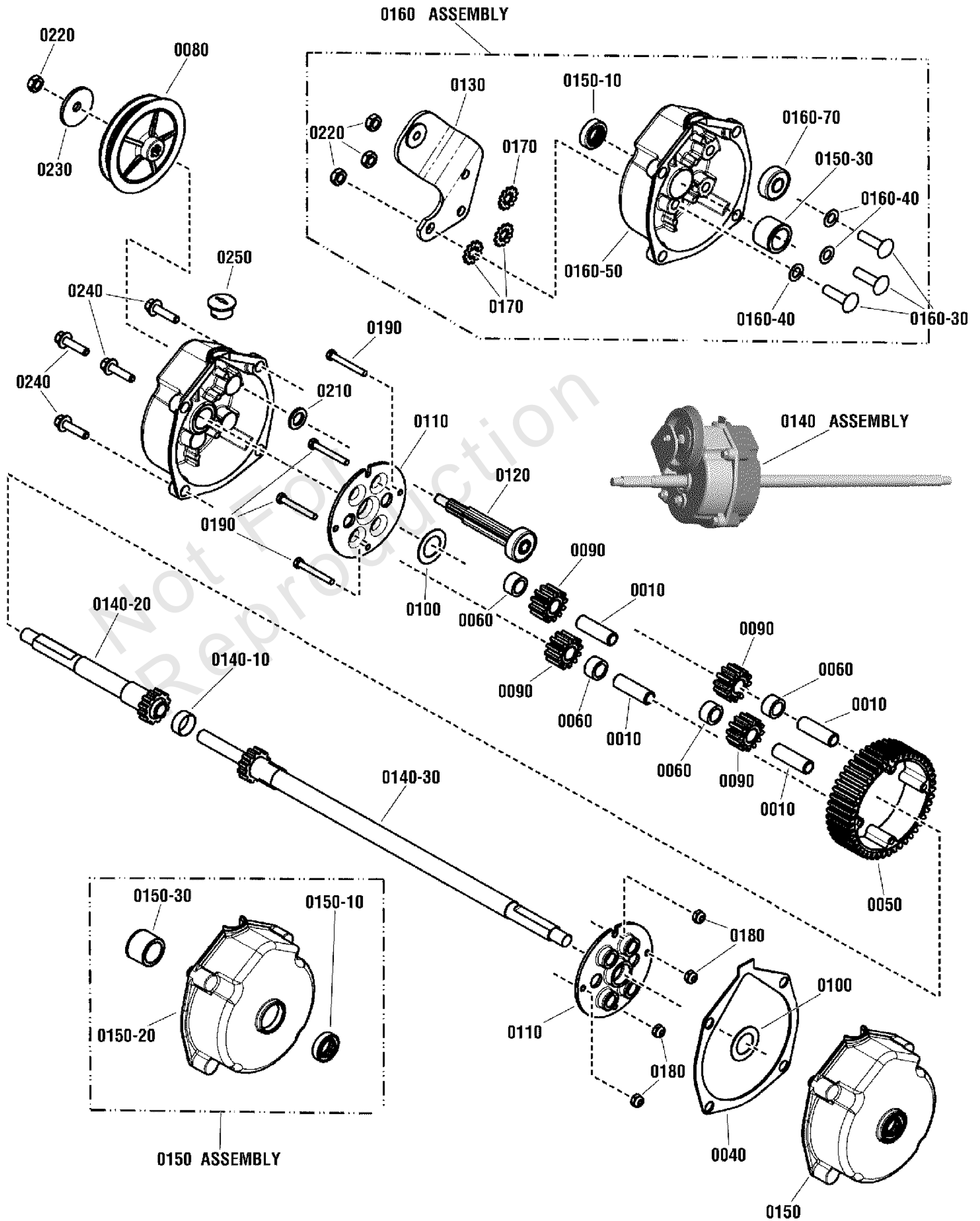
REF NO	PART NO	QTY	DESCRIPTION
42	703347	1	NUT, 3/8-16, Hex Center-Lock, GR B, Zinc/Clear -(Was 7091585 or 80004408)
43	7074133YP	1	ROD, Speed Control (1/4-28 thread)
44	703350	1	WASHER, 5/16, Flat SAE, Zinc/Clear -(Was 80004405)
45	704030	1	PIN, 5/16 X 1.044, Self-Locking Cotter, Zinc/Clear -(Was 7034162 or 80005707)
46	703798	2	BOLT, 5/16-18 X .50, Carriage, Zinc/Clear -(Was 7090731, 725993, 908156MA or 80004563)
47	690272MA	3	NUT, 5/16-18, Serated Lock Flange, GR5, Zinc/Clear -(Was 7091601 or 80002728)
48	7046707BMYP	2	BRACE, Handle
49	703301	1	SCREW, 5/16-24 x 1 Hex Head Cap, GR 5, BZ -(Was MT910828MA or 80003532)
50	9357MA	3	SCREW, 5/16-18 X .750, Flanged Whiz-Lock, GR5 -(Was 1930591, 1960738, 7090595 or 80003531)
51	703118	2	WASHER, 7/8, Flat, GR5, Zinc/Clear -(Was 7091130, 7900022 or 80003517)
52	703947	1	NUT, 5/16-18 X .625, Weld, ZC/CL -(Was 7090733, 7090895 or 80005534)
53	7012114SM	1	BUSHING, Differential
54	7034179BMYP	1	LINK, Differential, Commercial
55	703896	1	NUT, 5/16-24, Hex Center Lock, GR B, Zinc/Clear -(Was 7091606, 7090174, 7090222 or 80004848)
56	7073913YP	1	BELL CRANK, Black Zinc
57	7015753YP	2	BALL JOINT, 1/4-28
58	703461	3	NUT, 1/4-28 Hex, GR5, Zinc/Clear -(Was 7090095 or 80004412)
59	703408	1	SCREW, 5/16-18 x 7/8 Hex Head Cap, GR 5, Zinc/Clear -(Was 80004421)
60	7073822BMYP	1	BRACKET, Bell Crank
61	690272MA	5	NUT, 5/16-18, Serated Lock Flange, GR5, Zinc/Clear -(Was 7091601 or 80002728)
62	703970	1	SPACER, .623 OD x .328 ID x .151 L -(Was 7013849 or 80005375)
63	703167	1	SCREW, 5/16-18 x 1-1/4 Hex Washer Head Self-Tap -(Was 1931202, 7091151, 7091524 or 80003681)

Transmission - Differential Group

Note: Unless noted otherwise, use the standard torque specifications

Mfg. No: 7800849-00

7053943



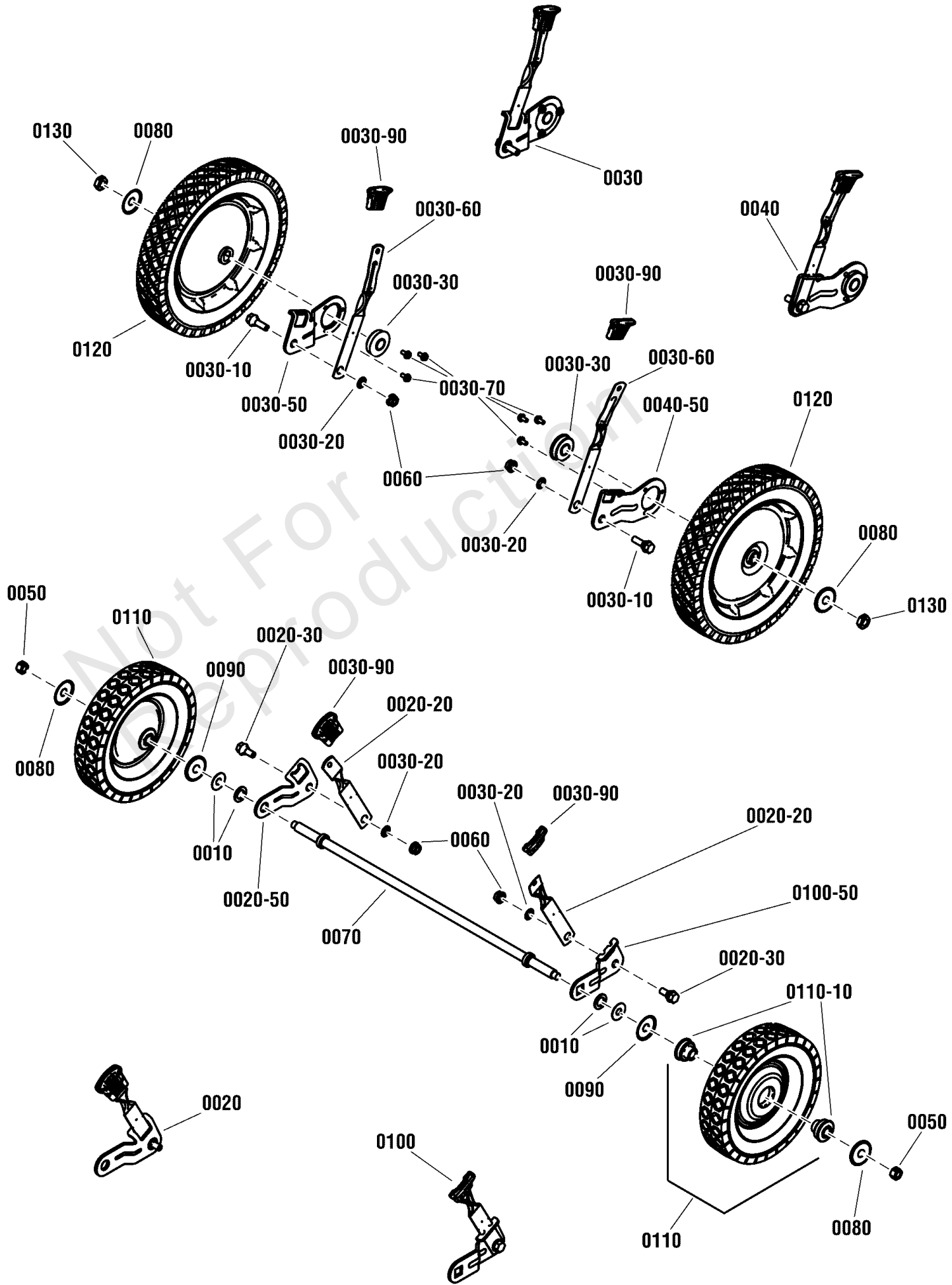
Transmission - Differential Group

REF NO	PART NO	QTY	DESCRIPTION
0010	7011110YP	4	SHAFT, Pinion
0040	7011774YP	1	GASKET, Housing
0050	7012495YP	1	GEAR, Differential, 46 Tooth
0060	703933	4	SPACER, .700 OD x .480 ID x .380 L, ZC/CL -(Was 7012500 or 80005383)
0080	7019213YP	1	PULLEY, Poly-V Belt (3.5 O.D.)
0090	7021115YP	4	GEAR, Pinion (12 Tooth)
0100	7031965YP	2	WASHER, 1.25 X .765 X .03, Thrust, ZC/CL -(Was 80003519)
0110	7031970YP	2	PLATE, Differential Gear, V21
0120	7050767YP	1	ASSEMBLY, Input Gear
0130	7051903AYP	1	WELDMENT, Differential Bracket
0140	7053943YP	1	ASSEMBLY, Transmission
0140-10	703934	1	SPACER, .820 OD X .720 ID X .330 L, ZC/CL -(Was 7012543 or 80005384)
0140-20	7050830YP	1	ASSEMBLY, Short Axle -(Was 7051932)
0140-30	7050831YP	1	ASSEMBLY, Long Axle -(Was 7051933)
0150	7053939YP	1	ASSEMBLY, Left Housing -(Was 7053938)
0150-10	7012314YP	2	SEAL, 5/8" ID
0150-20	7029033YP	1	HOUSING, Left Hand
0150-30	7029035YP	2	BEARING, Tapered, Differential Housing
0160	7051908YP	1	ASSEMBLY, Housing, Right Hand -(Was 7053941)
0160-30	703935	3	BOLT, 5/16-24 x 1-1/8" Rib Neck, GR 5, ZC/BK -(Was 7014155 or 80005385)
0160-40	7024442YP	3	GASKET, 5/8" O.D.
0160-50	7029034YP	1	HOUSING, Right Hand
0160-70	7073963YP	1	BEARING, Ball, 1.125 OD, .440 ID, 3.8 Wide
0170	703936	3	WASHER, .325 ID X .850 OD X .041 Thk, Internal External Lock, Type A, ZC/CL -(Was 7090189 or 80005386)
0180	703937	4	NUT, #10-32 Nyloc, GR A, ZC/CL -(Was 7090376 or 80005387)
0190	703938	4	SCREW, #10-32 x 1-1/2 Hex Head Cap GR5, ZC/CL -(Was 7090557 or 80005388)
0210	703349	1	WASHER, .453 X .75 X .073, Flat, ZC/CL -(Was 7091720 or 80004406)
0220	703459	4	NUT, 5/16-24, Hex Crown Lock, GR C, Zinc/Clear -(Was 7092062 or 80004410)
0230	703939	1	WASHER, .32 ID x 1.40 OD x .10 Thk, Bellville, ZC/CL -(Was 7092063 or 80005389)
0240	703833	4	SCREW, 1/4-20 x 1 Hex Washer Self-Tap, ZC/CL -(Was 7091825, 7092064 or 80004415)
0250	703931	1	PLUG, Transmission Housing -(Was 7016544 or 80005381)
0260	7061017		GREASE, "OO" (4 oz max) (Not Shown)

Wheels, Brackets & Latches

Note: Unless noted otherwise, use the standard torque specifications

Mfg. No: 7800849-00



Wheels, Brackets & Latches

REF NO	PART NO	QTY	DESCRIPTION
0010	703964	6	WASHER, 7/16" ID, 1" OD, .060 Thk, Flat, ZC/CL
0020	7600180YP	1	KIT, Front Wheel Arm Assembly, RH
0020-20	7012325YP	2	LATCH, Height
0020-30	703839	2	BOLT, 5/16-18 X .750, Hex Washer Head Shoulder, Zinc/Clear
0020-50	7031017YP	1	WHEEL ARM, Front, Round Hole, RH, Clear
0030	7054246YP	1	ASSEMBLY, Wheel Arm, Long, RR
0030-10	703840	2	BOLT, 5/16-18 X 1.0, Hex Washer Head .435 Dia. Shoulder, ZC/CL
0030-20	703297	4	RETAINER, 5/16 X .625, Push Nut, GR 5, Zinc/Clear
0030-30	7012312YP	2	BEARING, 9/16" ID
0030-50	7032722YP	1	ARM, Wheel, Right Rear, Zinc/Clear
0030-60	7035717YP	2	LATCH, Height Adjusting, (long)
0030-70	703967	6	SCREW, #10-32 x 3/8, Torx Hex Washer Head Self-Tap, ZC/CL
0030-90	7103793YP	4	GRIP, Height Latch, Black
0040	7054247YP	1	ASSEMBLY, Wheel Arm, Left Rear, Long
0040-50	7032723YP	1	ARM, Wheel, Left Rear, Zinc/Clear
0050	703348	2	NUT, 7/16-20, Hex Jam Center Lock, GR B, Zinc/Clear
0060	703409	4	NUT, 5/16-18, Serrated Lock Flange, GR5
0070	7021119YP	1	AXLE, V21
0080	7031960YP	2	HUBCAP
0100	7600179YP	1	ASSEMBLY, Front Wheel Arm, LH
0100-50	7031016YP	1	WHEEL ARM, L.H. Front (Square Hole)
0110	7035727YP	2	WHEEL, 8 x 1.75 - Steel - D - Gray
0110-10	7011125YP	4	BEARING, 7/16" ID, Ball, Front Wheel
0120	7035726YP	2	WHEEL, 10 x 1.75, Steel-D, (Self Propelled) - Gray
0130	770537	2	NUT, 7/16-20, Hex Flanged Center Lock, ZC/CL

Hardware Identification & Torque Specifications

Torque Specification Chart								
FOR STANDARD METRIC MACHINE HARDWARE (Tolerance ± 20%)								
Property Class	5.6		8.8		10.9		12.9	
	Class 5.6		Class 8.8		Class 10.9		Class 12.9	
Size Of Hardware	in/lbs	Nm.	in/lbs	Nm.	in/lbs	Nm.	in/lbs	Nm.
	ft/lbs		ft/lbs		ft/lbs		ft/lbs	
M3	5.88	.56	13.44	1.28	19.2	1.80	22.92	2.15
M4	13.44	1.28	30.72	2.90	43.44	4.10	52.56	4.95
M5	26.4	2.50	60.96	5.75	5.97	8.10	7.15	9.7
M6	44.64	4.3	7.3	9.9	10.3	14	12.1	16.5
M7	5.2	7.1	12.1	16.5	16.9	23	19.9	27
M8	7.7	10.5	17.7	24	25	34	29	40
M10	15	21	35	48	50	67	59	81
M12	26	36	61	83	86.2	117	103	140
M14	42	58	101	132	136	185	162	220
M16	64	88	147	200	210	285	250	340
M18	89	121	202	275	287	390	346	470
M20	126	171	290	390	405	550	486	660
M22	169	230	390	530	559	745	656	890
M24	217	295	497	375	708	960	840	1140
M27	320	435	733	995	1032	1400	1239	1680
M30	435	590	995	1350	1401	1900	1681	2280
M33	590	800	1349	1830	1902	2580	2278	3090
M36	759	1030	1740	2360	2441	3310	2935	3980
M39	988	1340	2249	3050	3163	4290	3798	5150

Torque Specification Chart						
FOR STANDARD MACHINE HARDWARE (Tolerance ± 20%)						
Hardware Grade	No Marks		SAE Grade 5		SAE Grade 8	
	SAE Grade 2		SAE Grade 5		SAE Grade 8	
Size Of Hardware	in/lbs	Nm.	in/lbs	Nm.	in/lbs	Nm.
	ft/lbs		ft/lbs		ft/lbs	
8-32	19	2.1	30	3.4	41	4.6
8-36	20	2.3	31	3.5	43	4.9
10-24	27	3.1	43	4.9	60	6.8
10-32	31	3.5	49	5.5	68	7.7
1/4-20	66	7.6	8	10.9	12	16.3
1/4-28	76	8.6	10	13.6	14	19.0
5/16-18	11	15.0	17	23.1	25	34.0
5/16-24	12	16.3	19	25.8	29	34.0
3/8-16	20	27.2	30	40.8	45	61.2
3/8-24	23	31.3	35	47.6	50	68.0
7/16-14	30	40.8	50	68.0	70	95.2
7/16-20	35	47.6	55	74.8	80	108.8
1/2-13	50	68.0	75	102.0	110	149.6
1/2-20	55	74.8	90	122.4	120	163.2
9/16-12	65	88.4	110	149.6	150	204.0
9/16-18	75	102.0	120	163.2	170	231.2
5/8-11	90	122.4	150	204.0	220	299.2
5/8-18	100	136	180	244.8	240	326.4
3/4-10	160	217.6	260	353.6	386	525.0
3/4-16	180	244.8	300	408.0	420	571.2
7/8-9	140	190.4	400	544.0	600	816.0
7/8-14	155	210.8	440	598.4	660	897.6
1-8	220	299.2	580	788.8	900	1,244.0
1-12	240	326.4	640	870.4	1,000	1,360.0

The guides and ruler furnished below are designed to help you select the appropriate hardware.



Nut, M8

Thread Diameter (mm)

Inside Diameter (in) Threads per inch

Nut, 1/2-16



Screw, M8- 1.25 x 25

Thread Diameter (mm) Distance between threads (mm) Body Length (mm)

Body Diameter Threads per inch Body Length (in)

Screw, 1/2- 16 x 2



Standard Hardware Sizing

When a washer or nut is identified as 1/2" (M8), this is the *Nominal size*, meaning the *inside diameter* is 1/2 inch (8mm metric thread diameter); if a second number is present it represents the *threads per inch* (distance between threads).

When bolt or capscrew is identified as 1/2 - 16 x 2" (M8 - 1.25 x 50), this means the *Nominal size*, or body diameter is 1/2 inch (8mm metric thread diameter), the second number, 16, represents the *threads per inch*, (*distance between threads*). The final number is the body length of the bolt or screw, 2 inches (50mm).

NOTES

- These torque values are to be used for all hardware excluding: locknuts, self-tapping screws, thread forming screws, sheet metal screws and socket head setscrews.
- Recommended seating torque values for locknuts:
 - for prevailing torque locknuts - use 65% of grade 5 torques.
 - for flange whizlock nuts and screws - use 135% of grade 5 torques.
- Unless otherwise noted on assembly drawings, all torque values must meet this specification.

Common Hardware Types

Hex Head Capscrew



Washer



Carriage Bolt



Hex Nut

Wrench & Fastener Size Guide

1/4" Bolt or Nut Wrench—7/16"	5/16" Bolt or Nut Wrench—1/2"	3/8" Bolt or Nut Wrench—9/16"	7/16" Bolt or Nut Wrench (Bolt)—5/8" Wrench (Nut)—11/16"	1/2" Bolt or Nut Wrench—3/4"
M6 Bolt or Nut Wrench—10mm	M8 Bolt or Nut Wrench—13mm	M10 Bolt or Nut Wrench—17mm	M12 Bolt or Nut Wrench—19mm	M14 Bolt or Nut Wrench—22mm

